

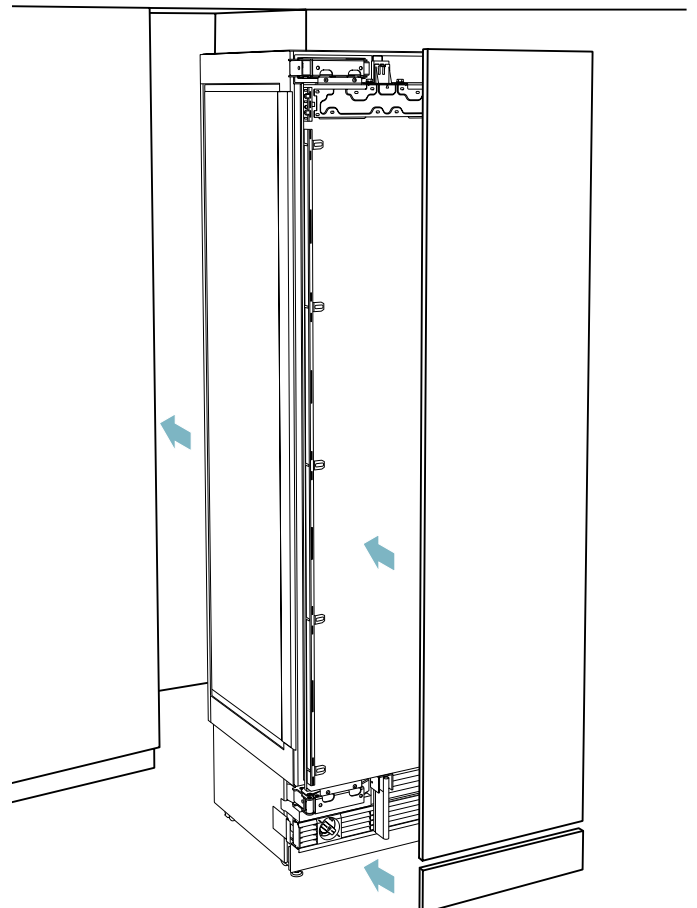
RF411304

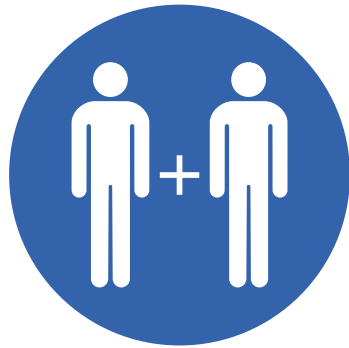
RF461304

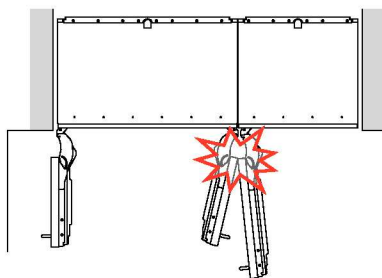
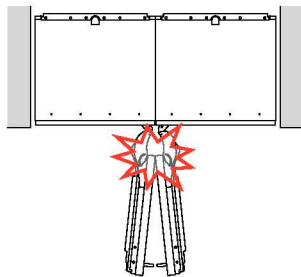
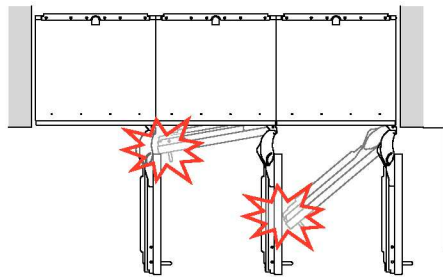
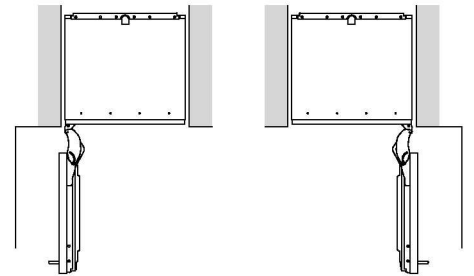
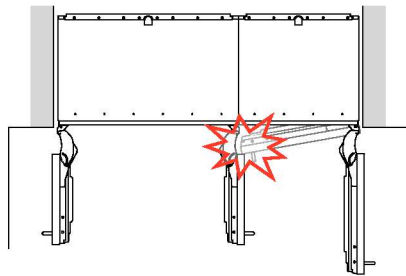
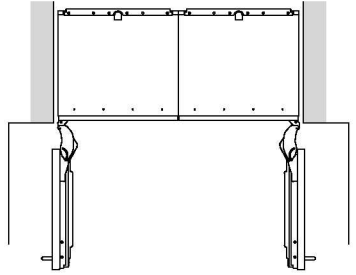
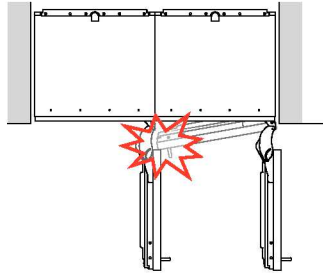
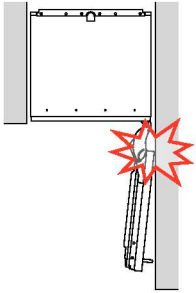
RF471304

RF411904

RF461904





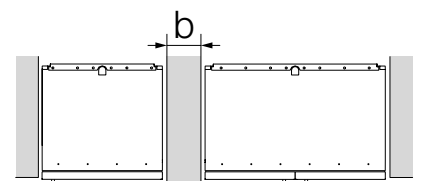
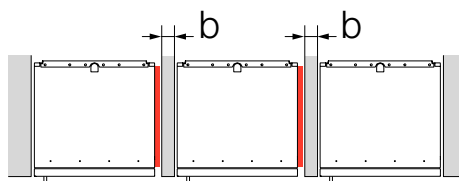
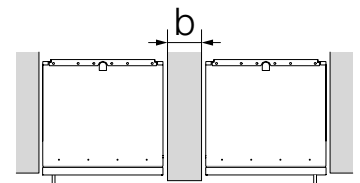
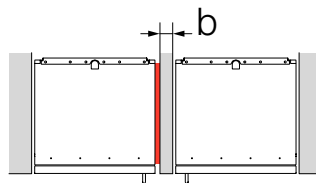
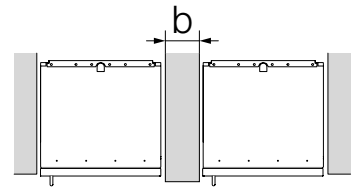
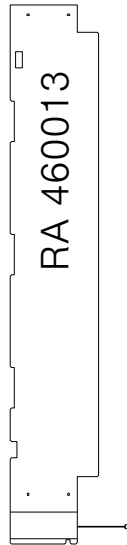
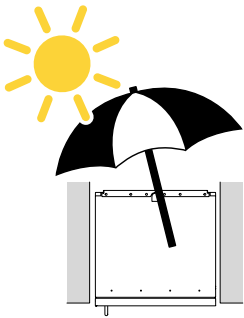
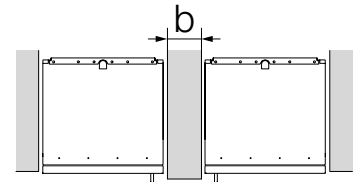
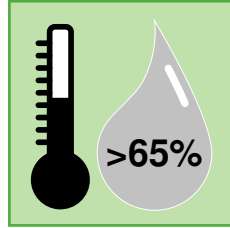
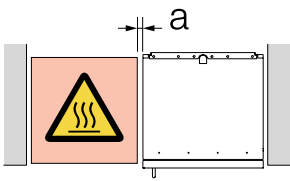


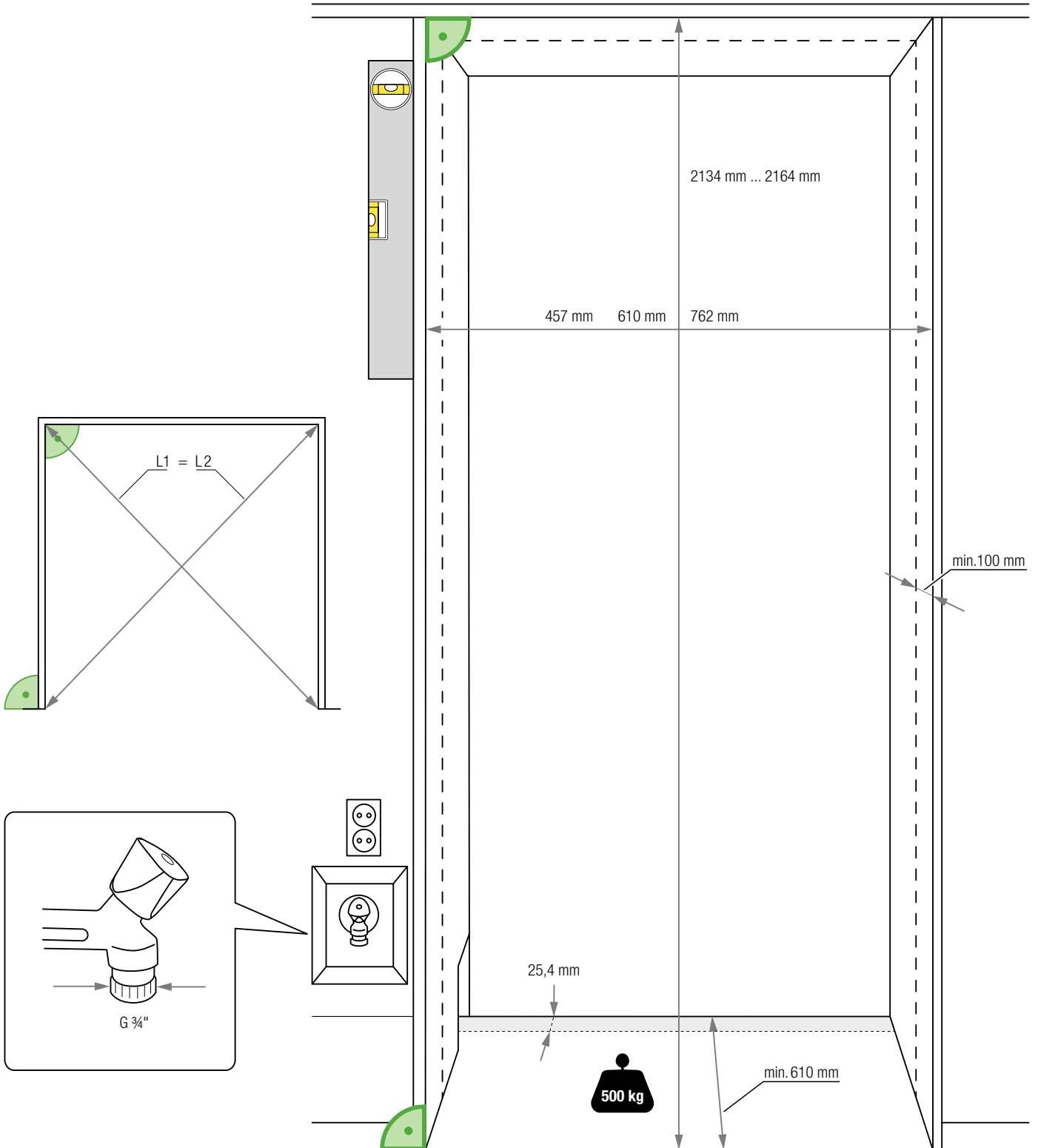
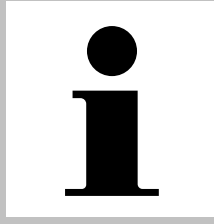


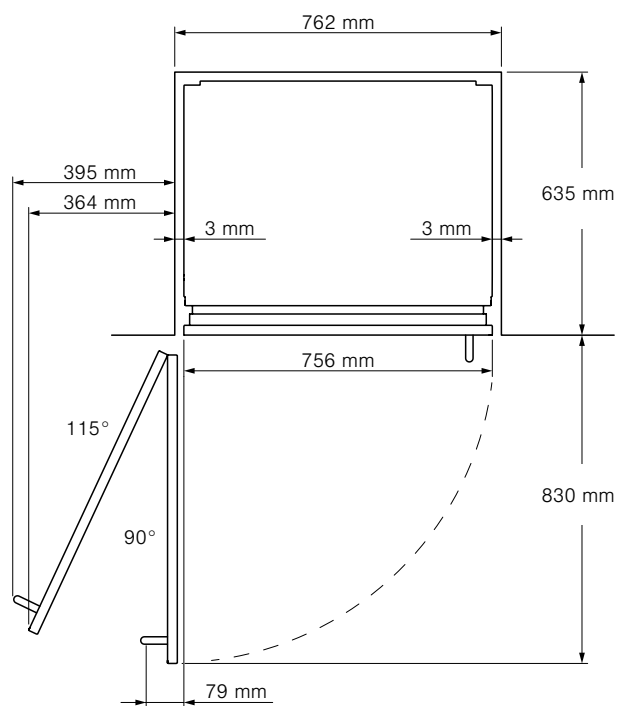
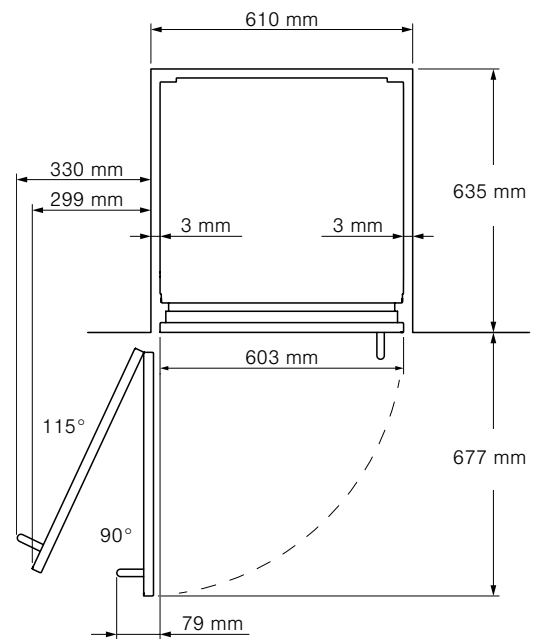
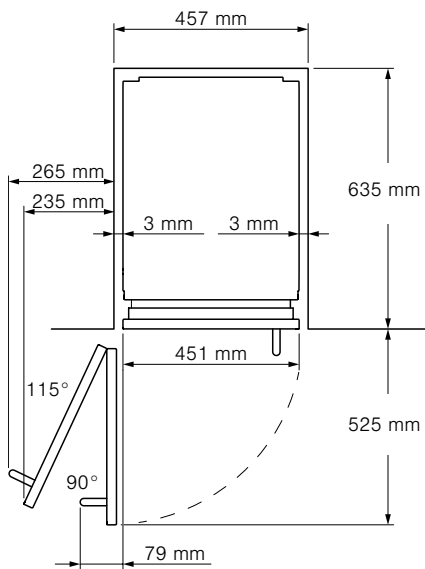
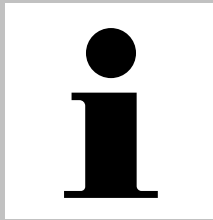
$a \geq 30 \text{ mm}$

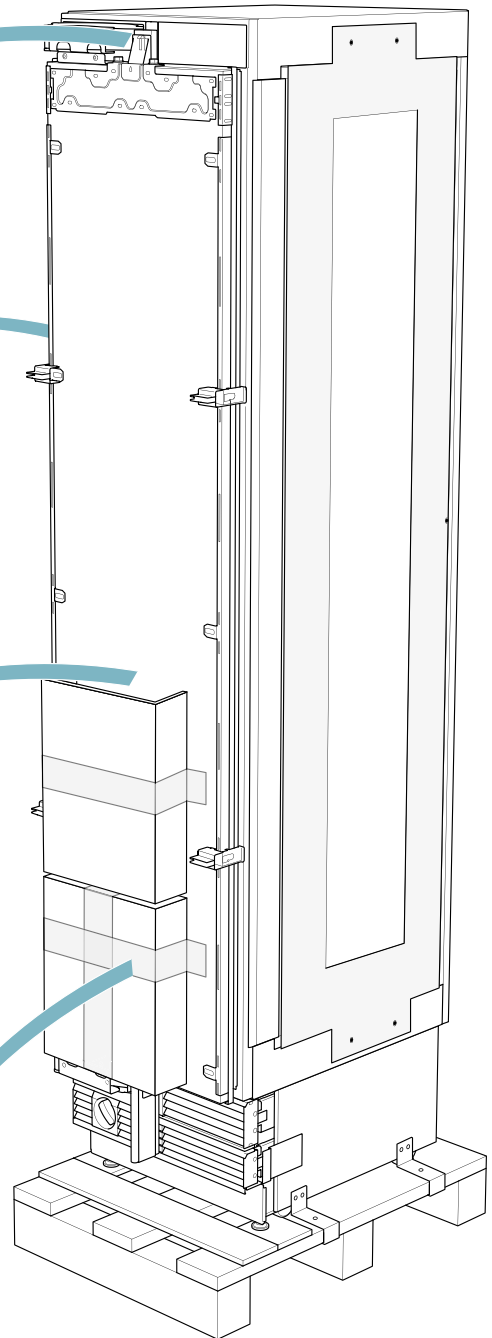
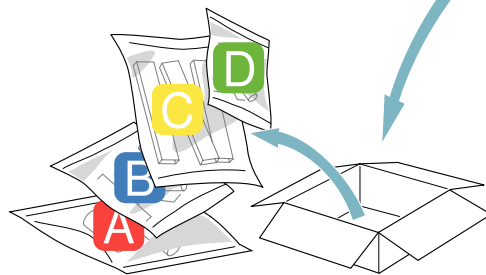
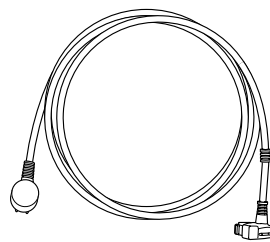
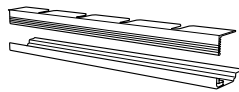
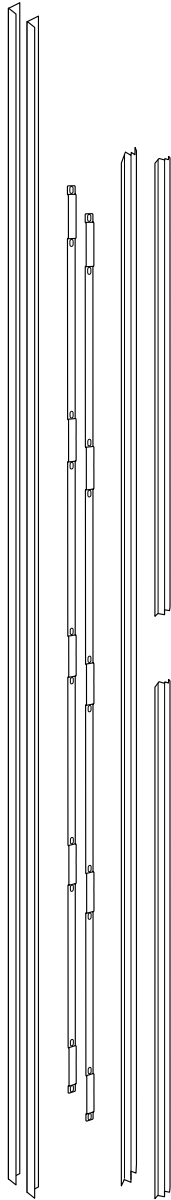
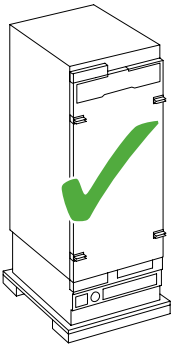
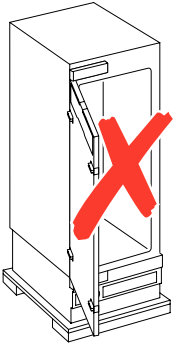
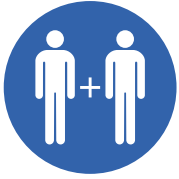
$16 \text{ mm} \leq b < 160 \text{ mm}$

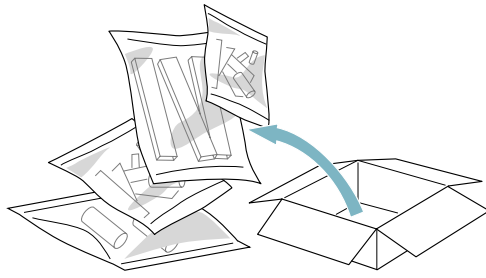
$b \geq 160 \text{ mm}$




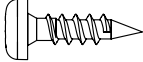


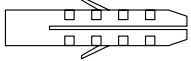


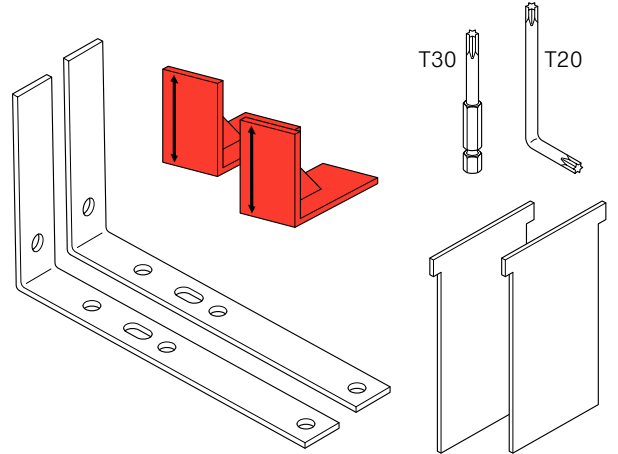



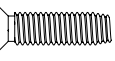


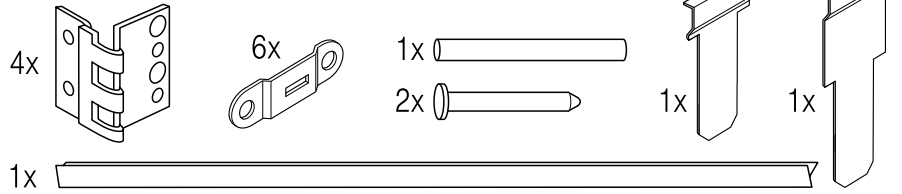


A



4x15			6x
5x60			4x
6x31			4x







M5x16			28x
-------	---	---	-----

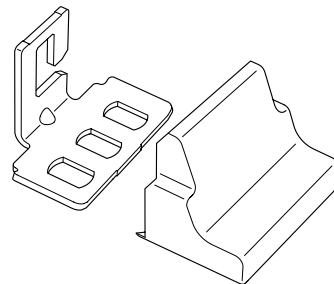


B

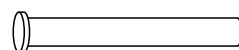
4x15			8x
------	---	---	----

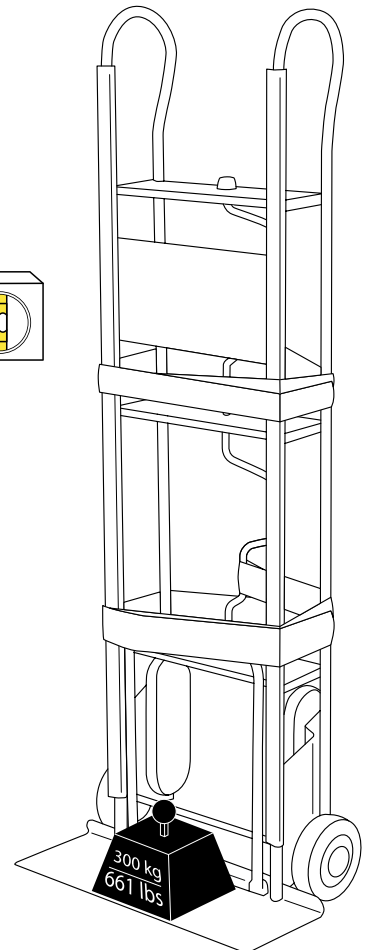
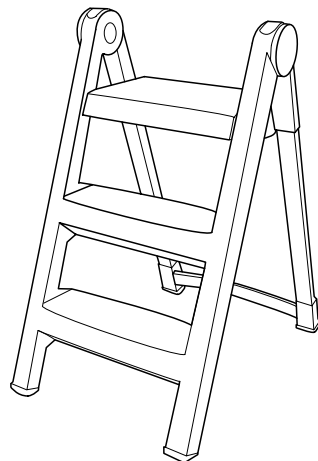
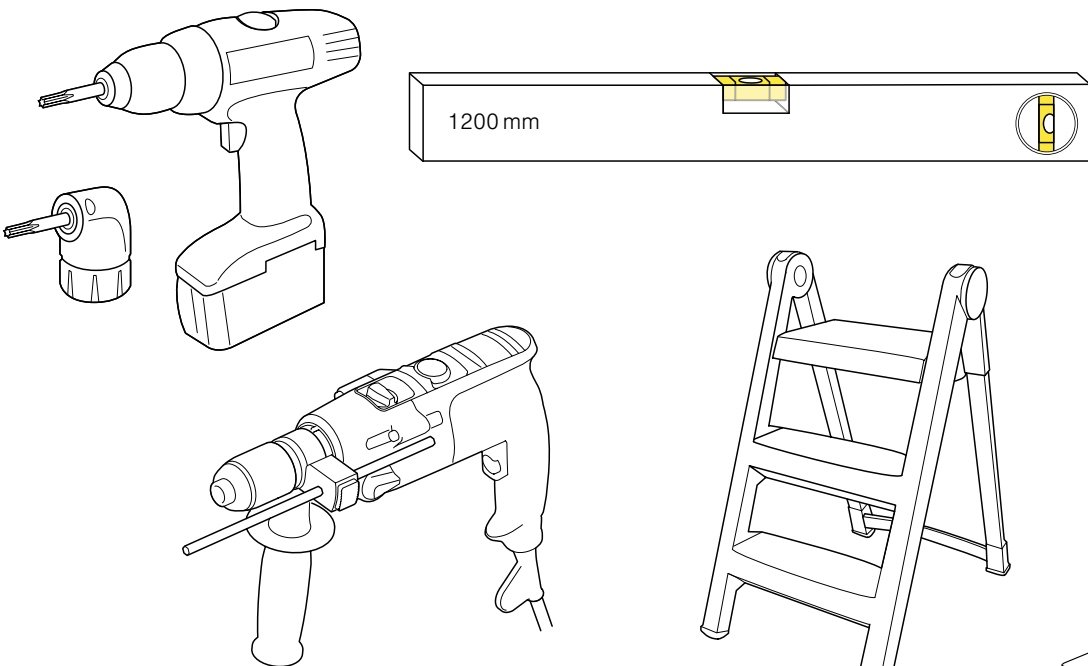
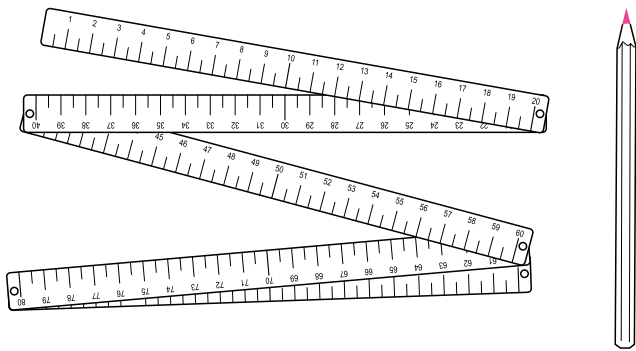
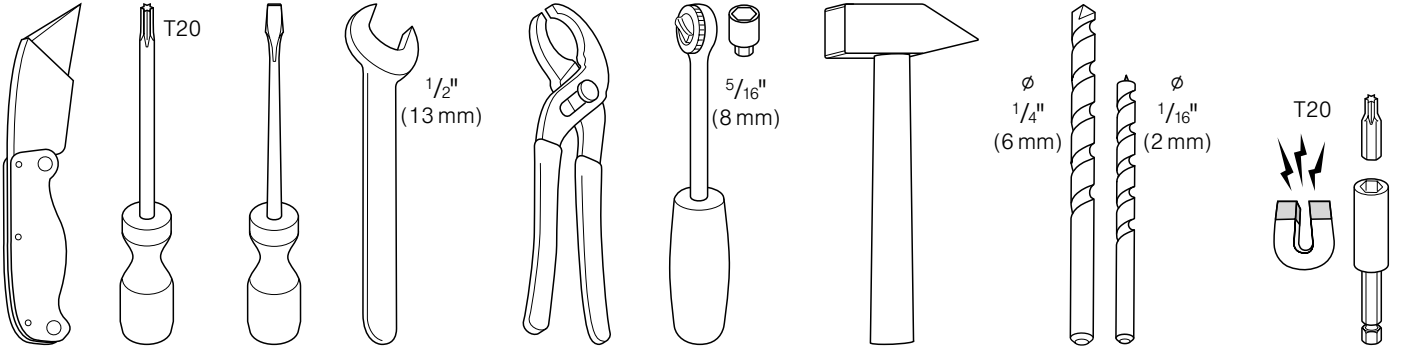
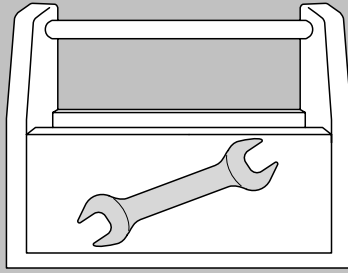
C

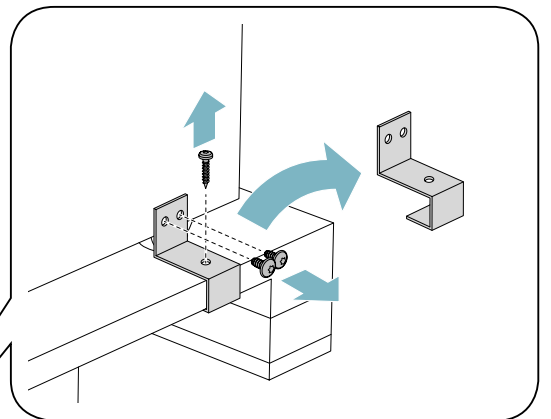
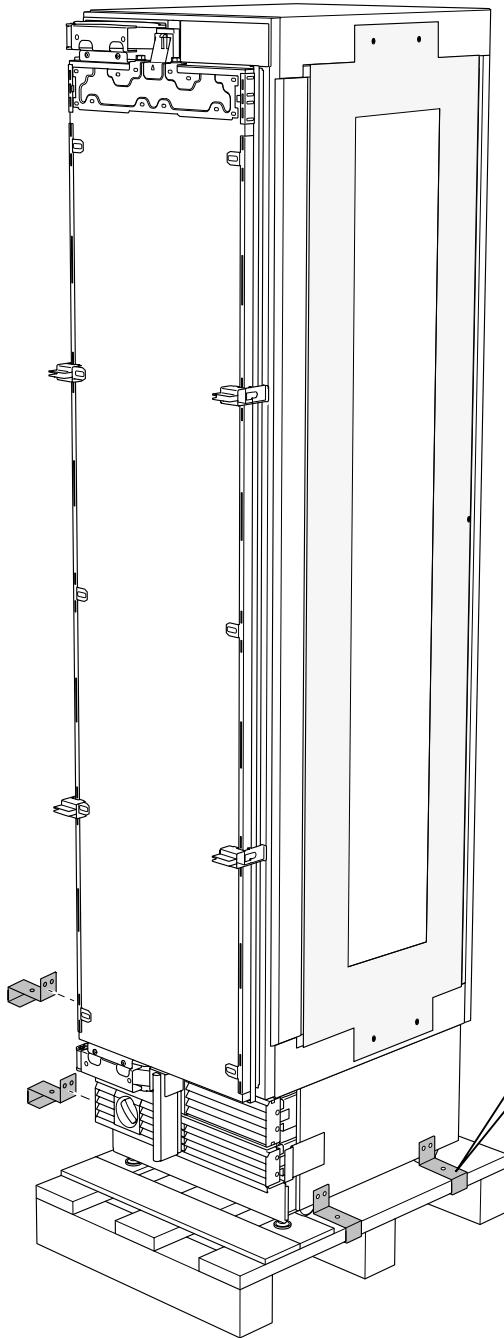
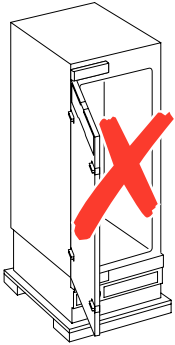
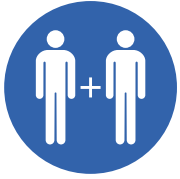
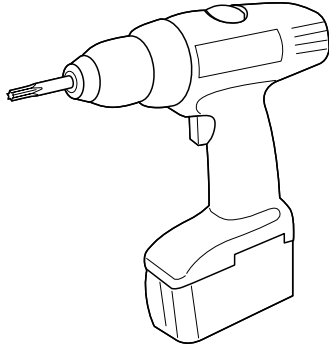
4x15			32x
4x15			2x

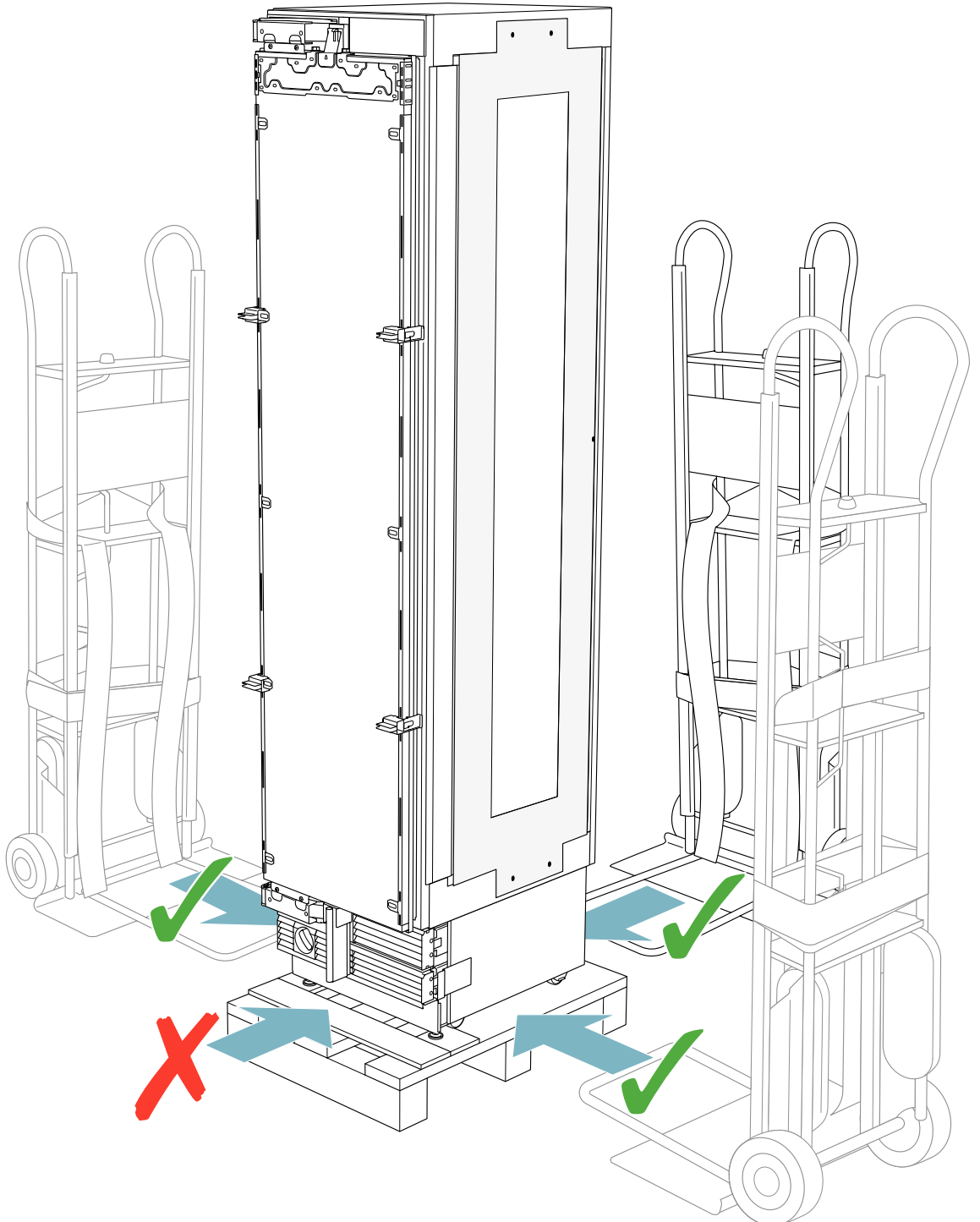
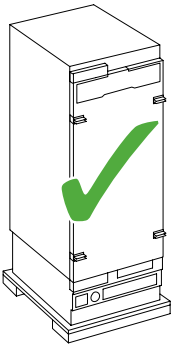
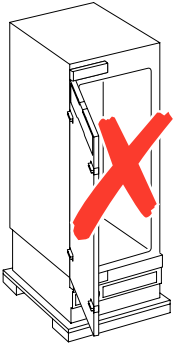
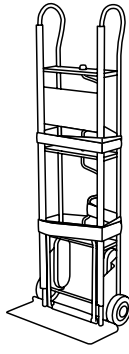
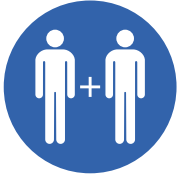


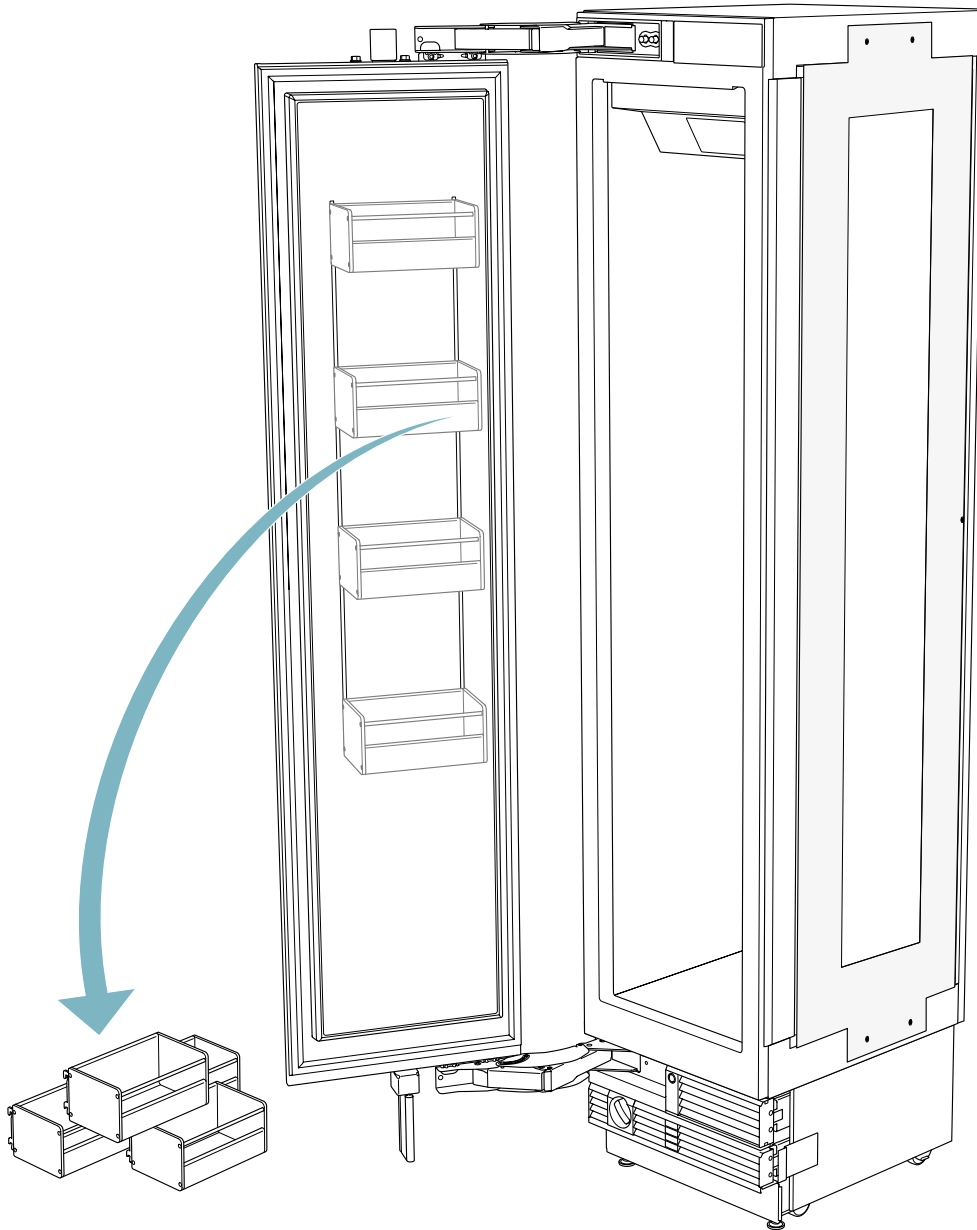
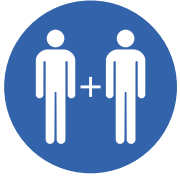
D

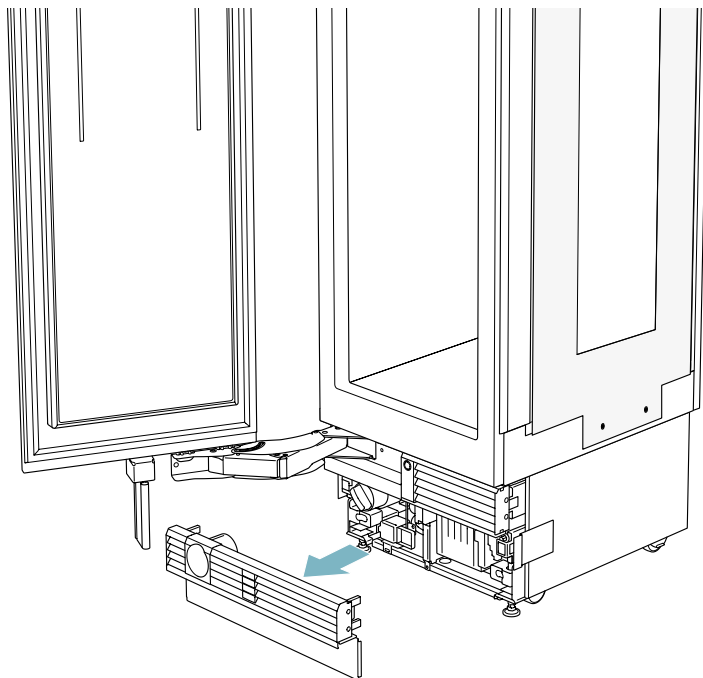
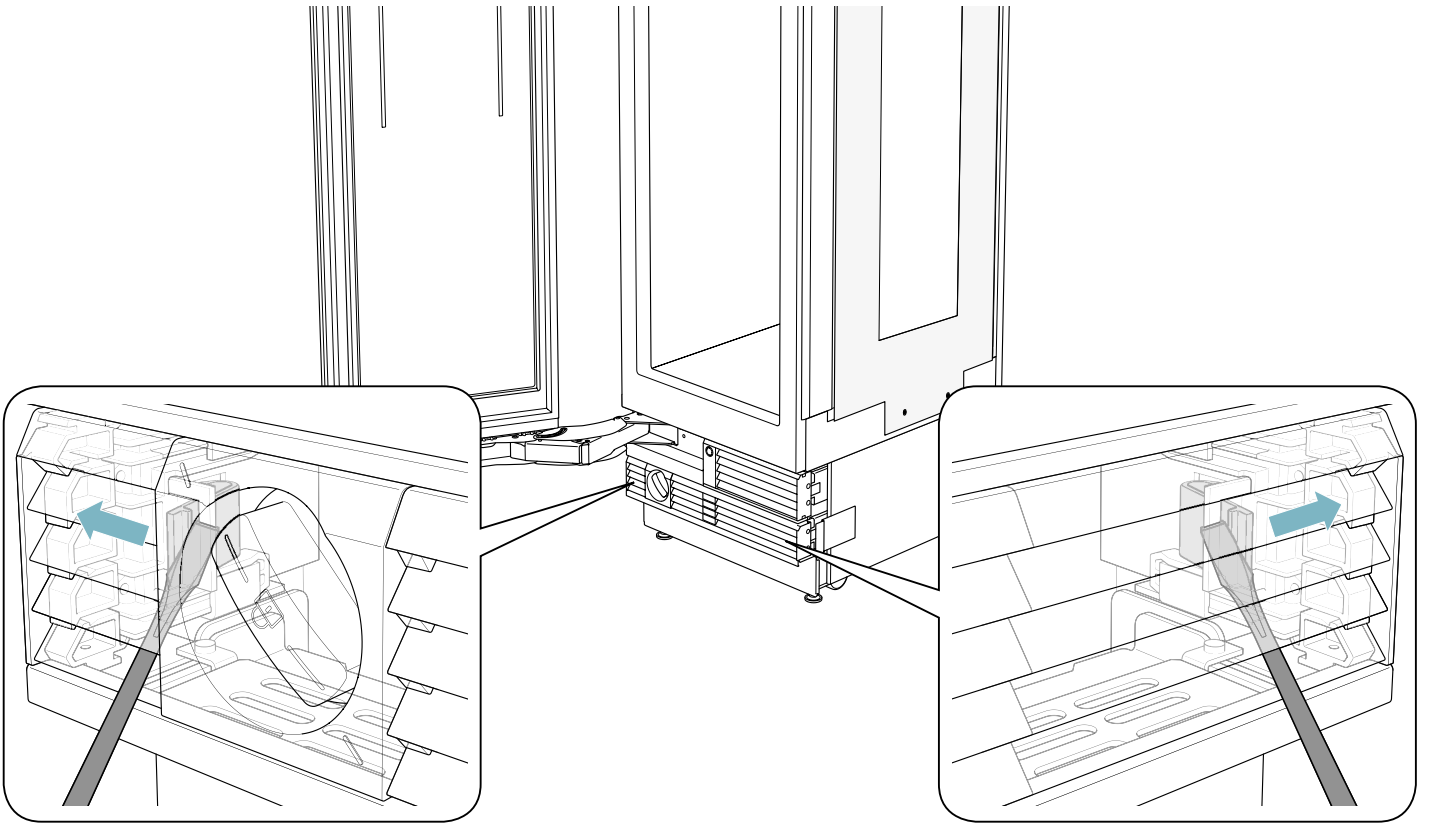
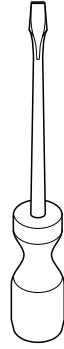
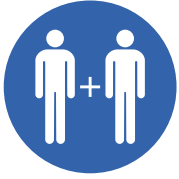


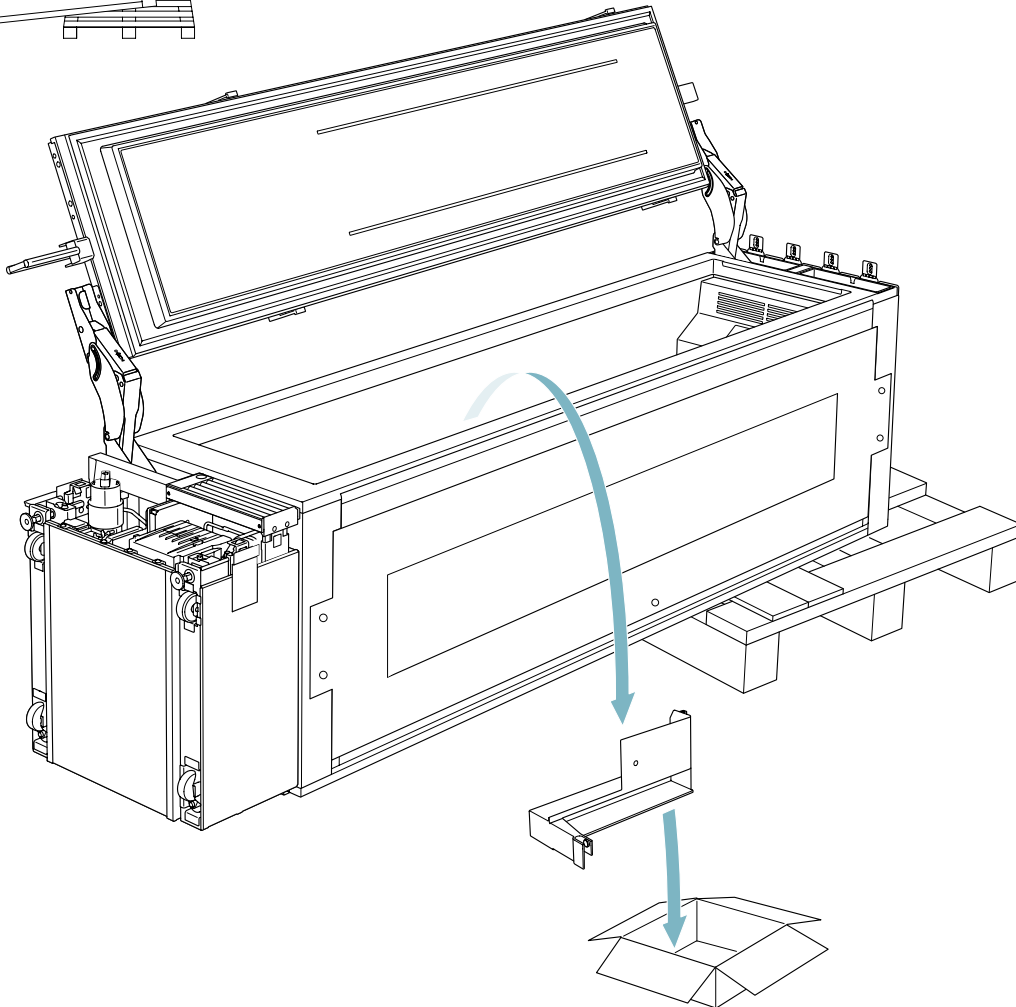
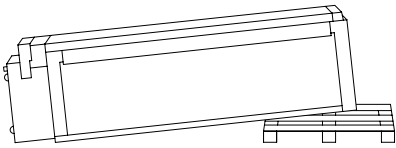
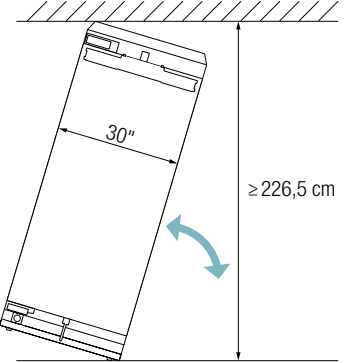
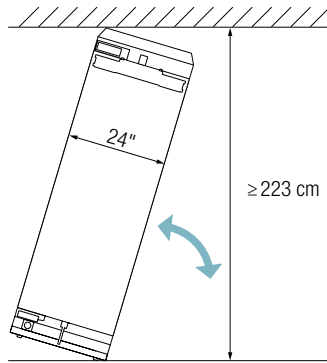
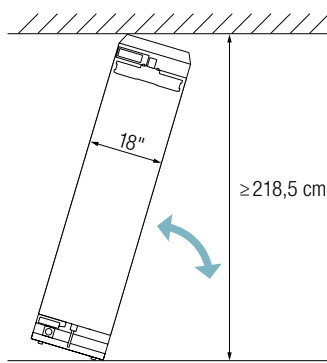
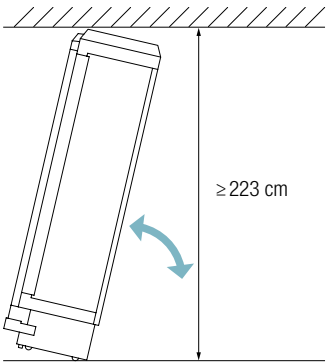
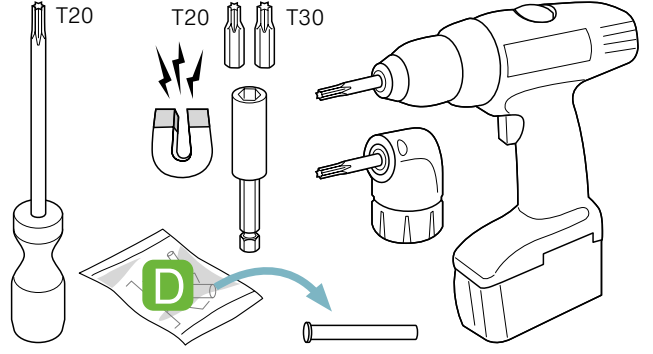
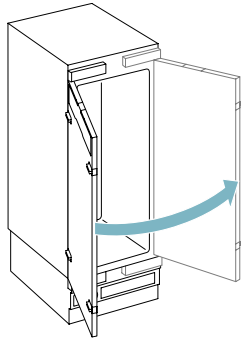
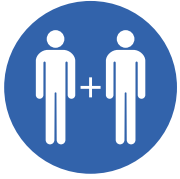




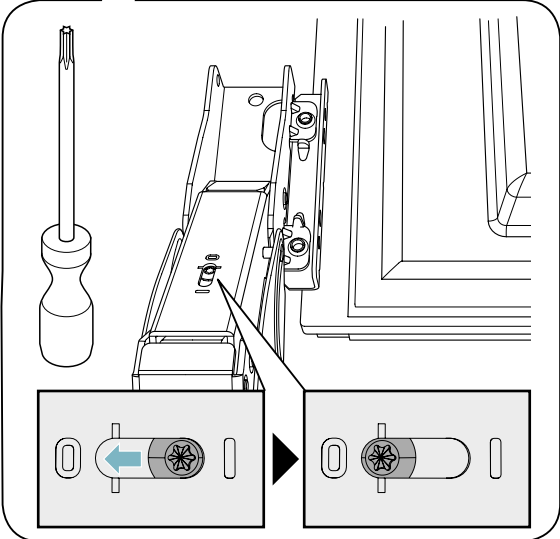
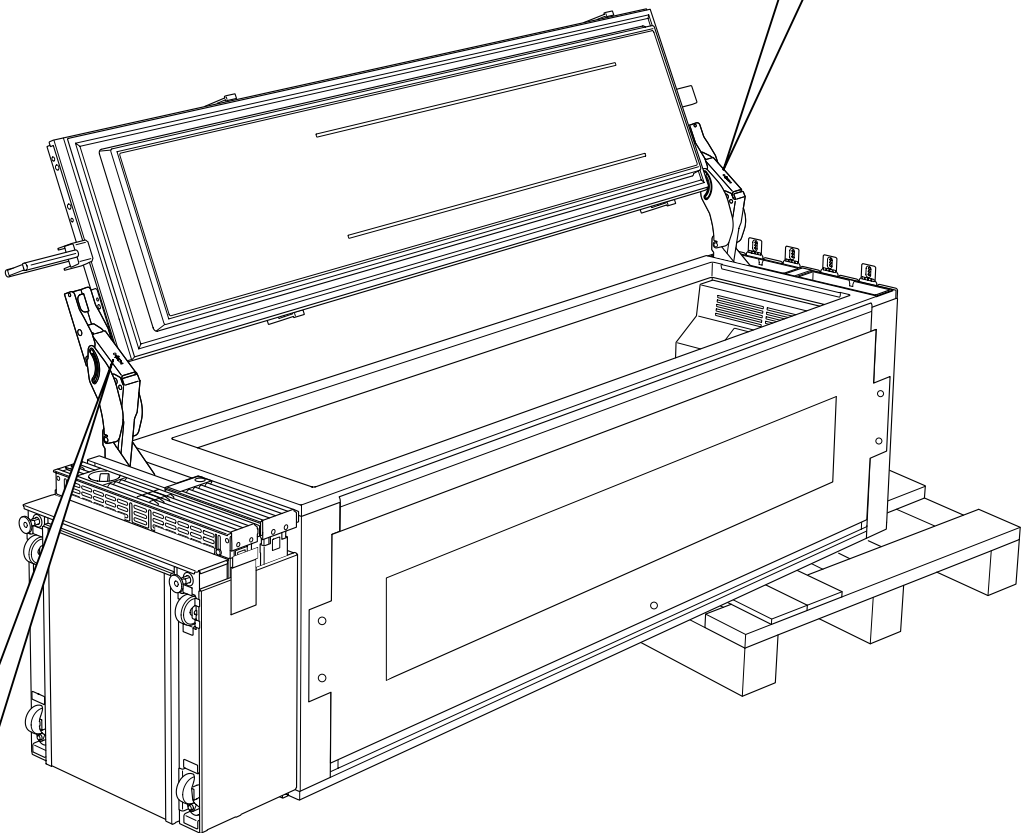
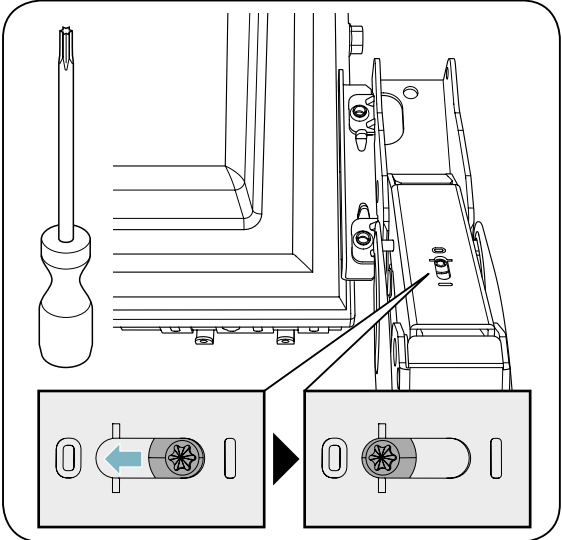


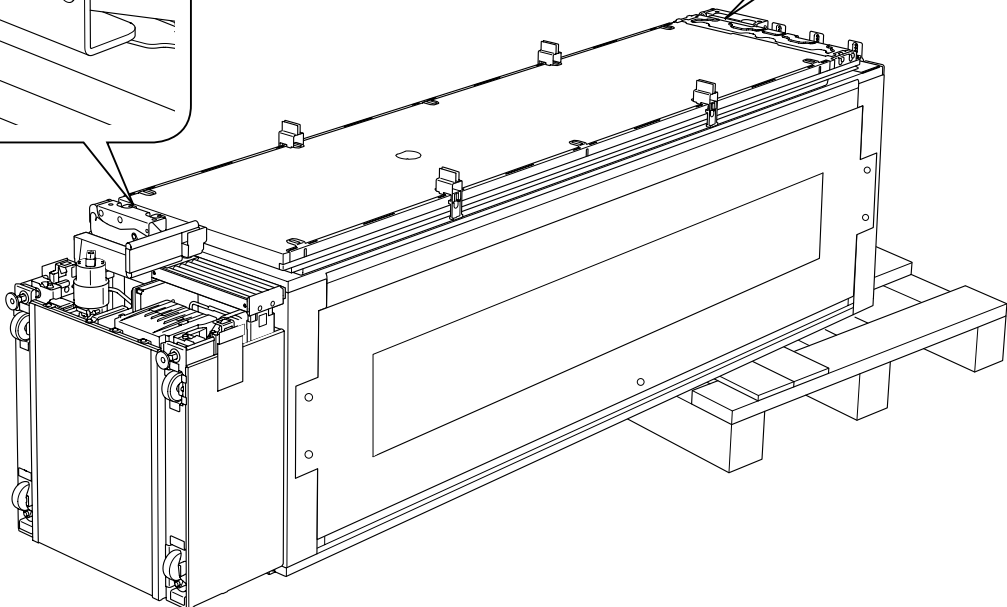
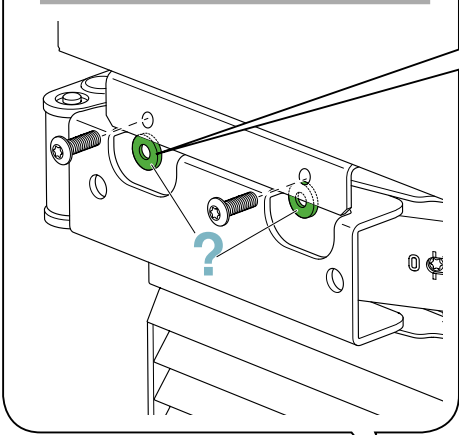
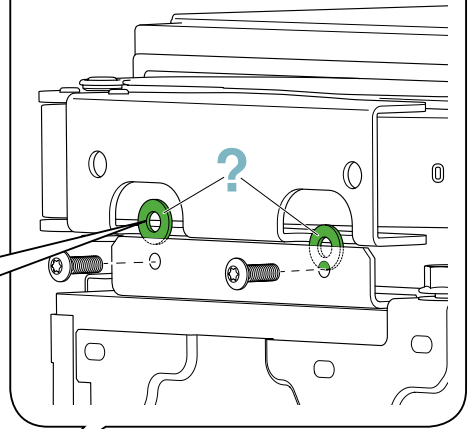
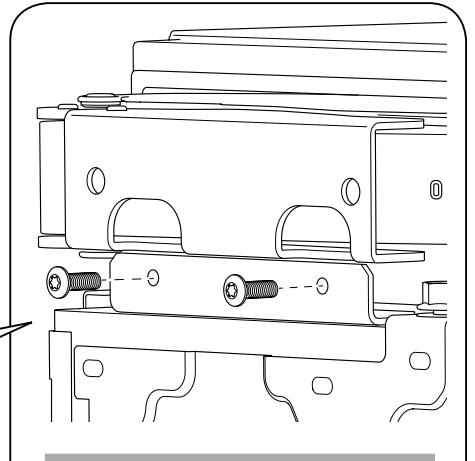
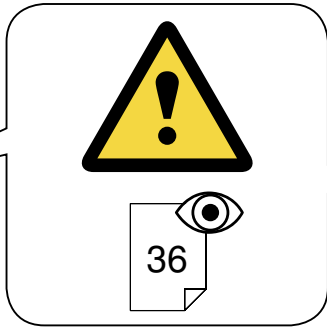
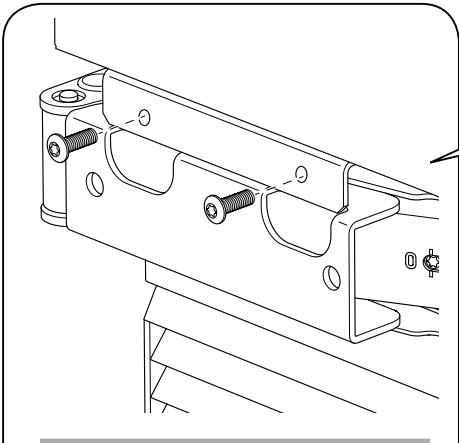
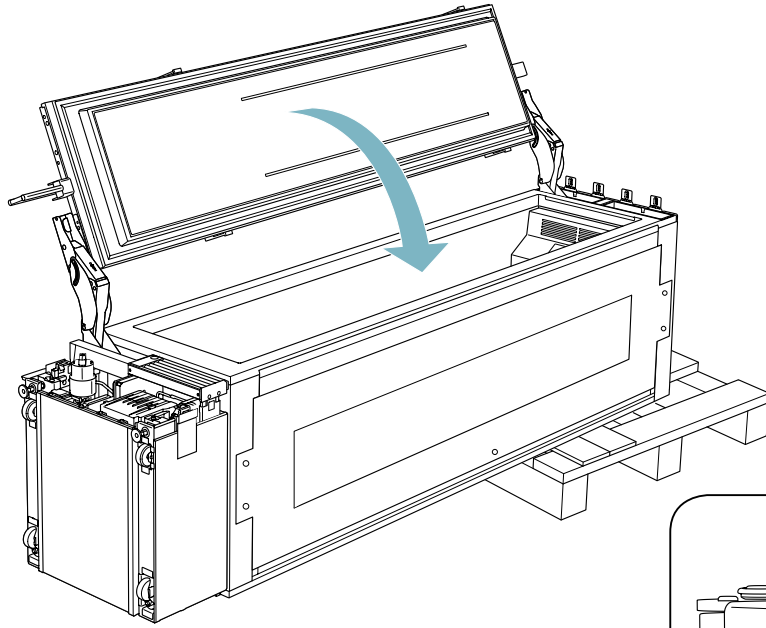




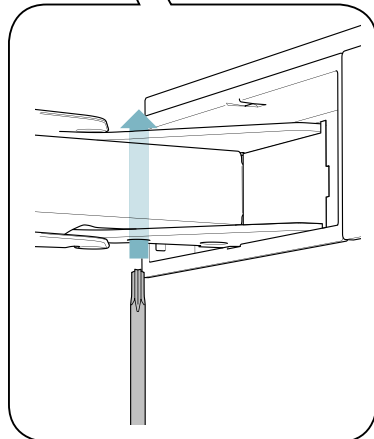
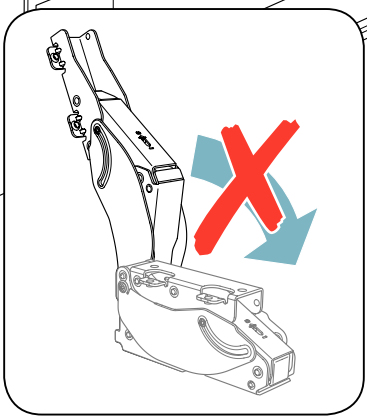
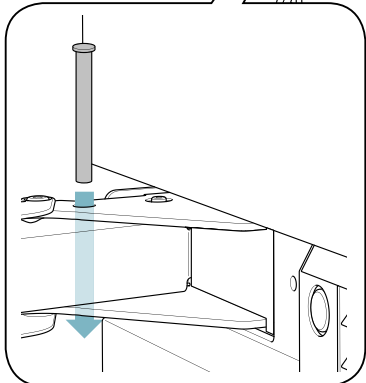
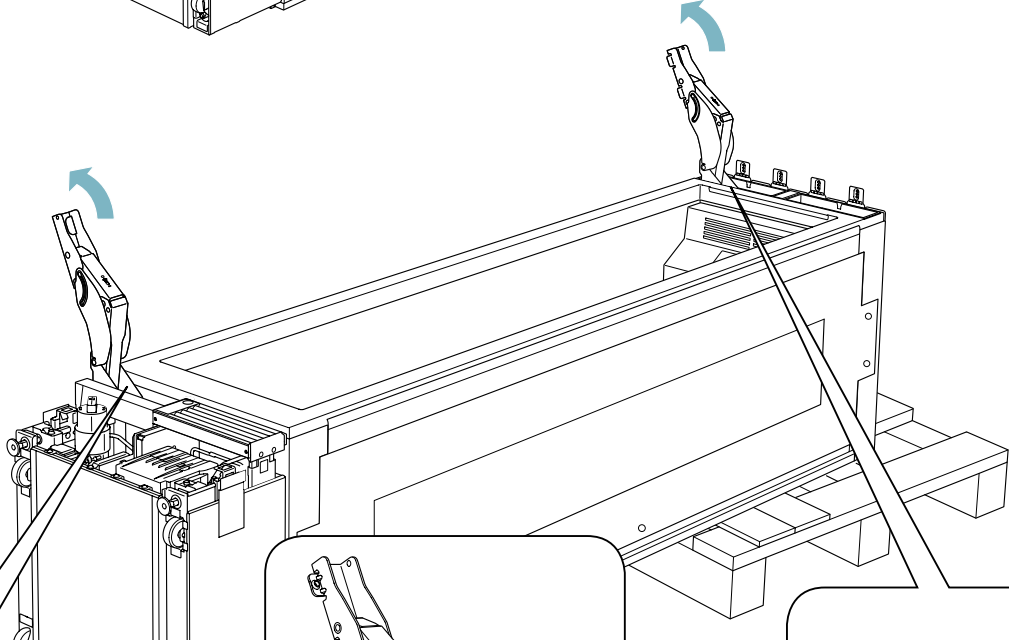
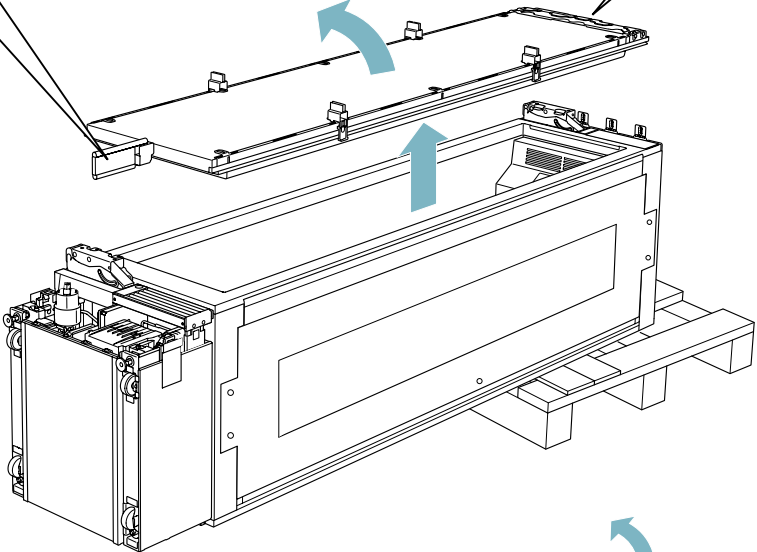
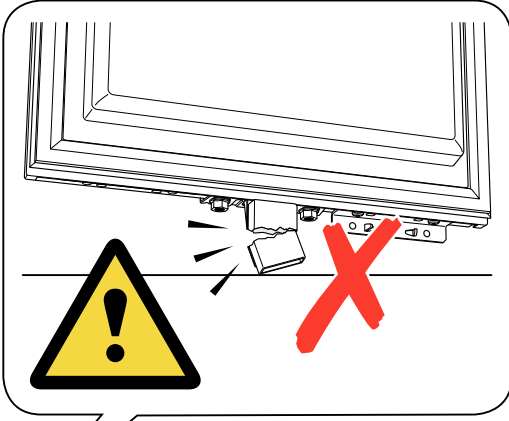
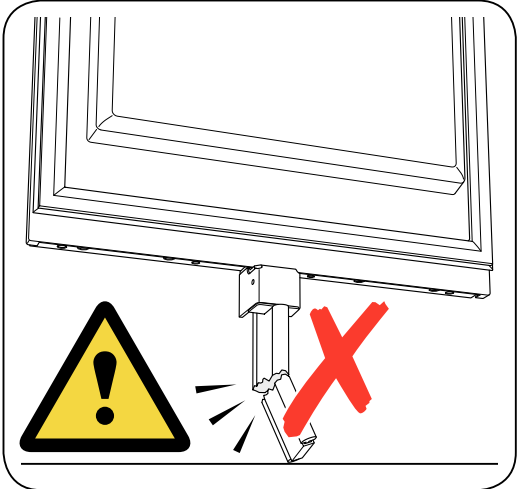


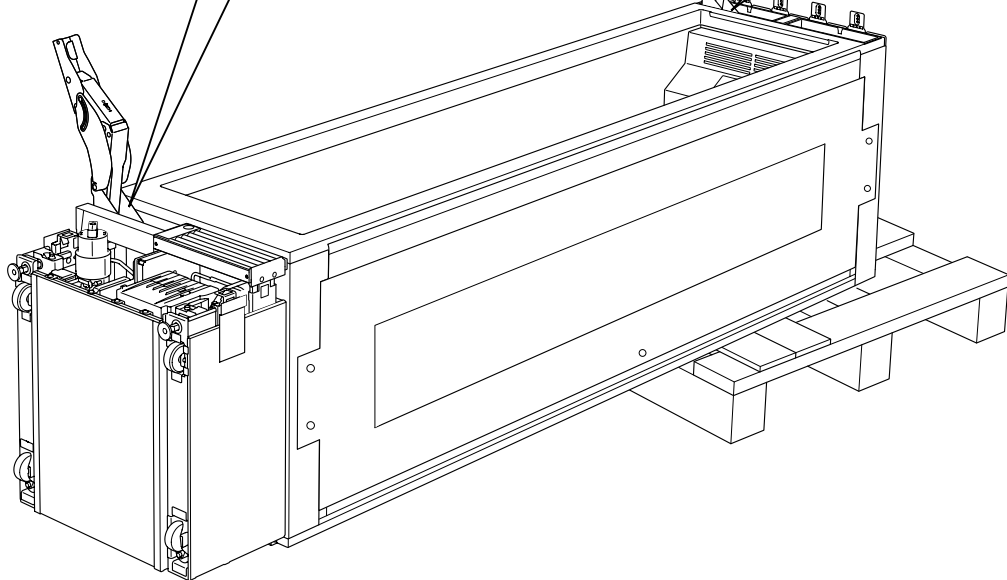
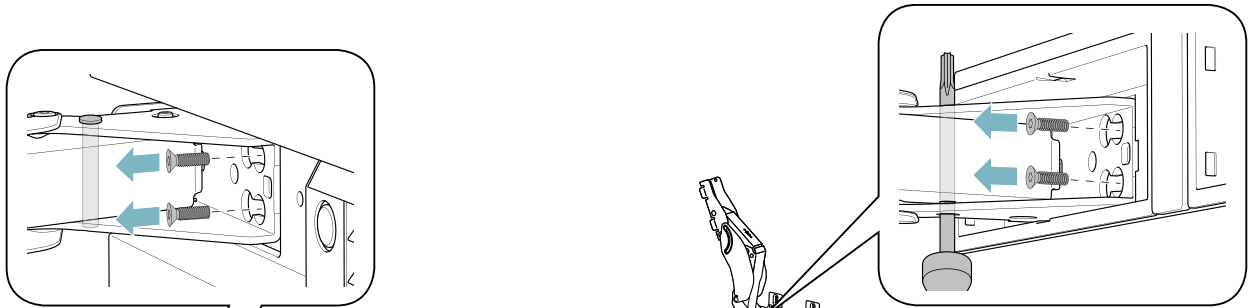
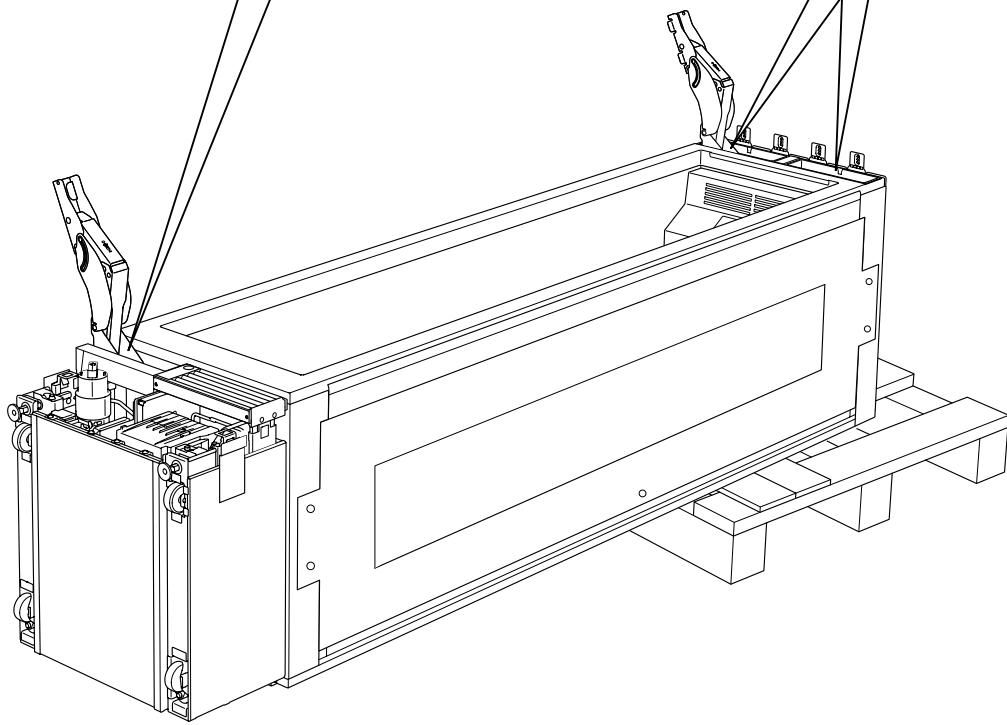
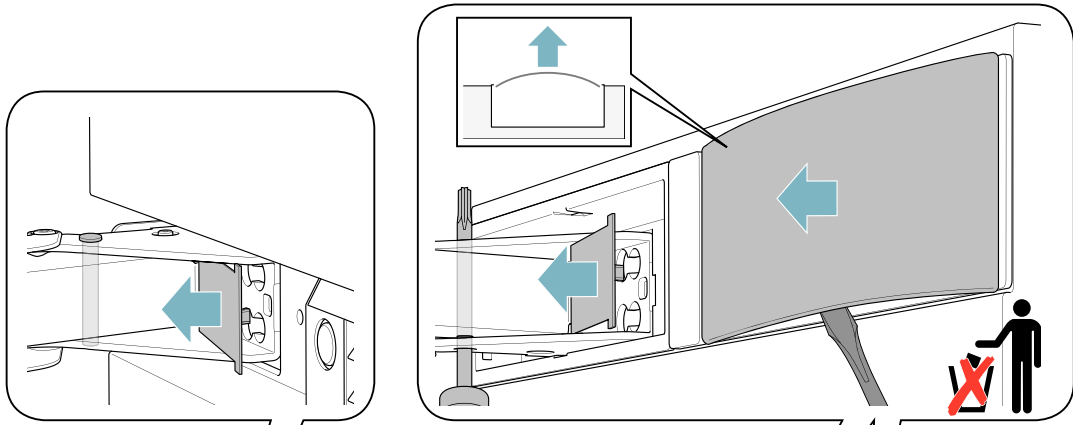
- A
- B
- C
- D



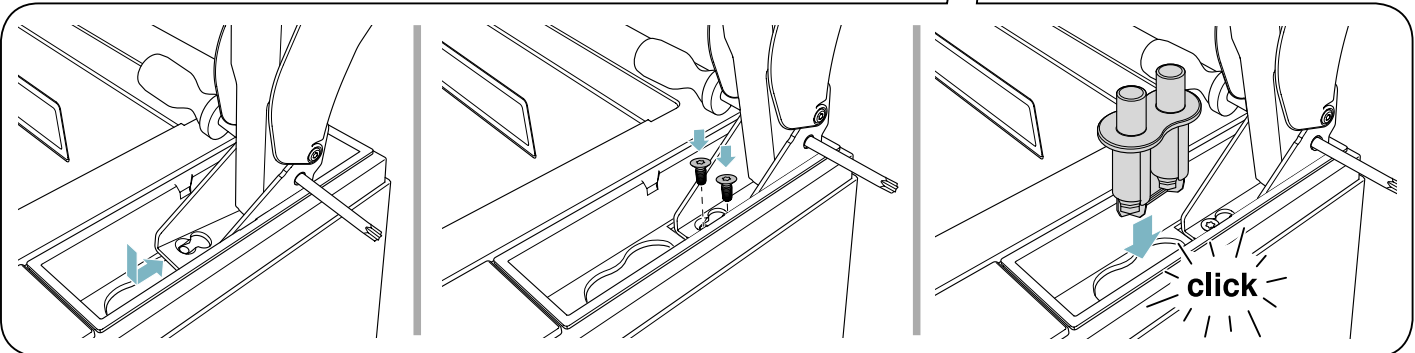
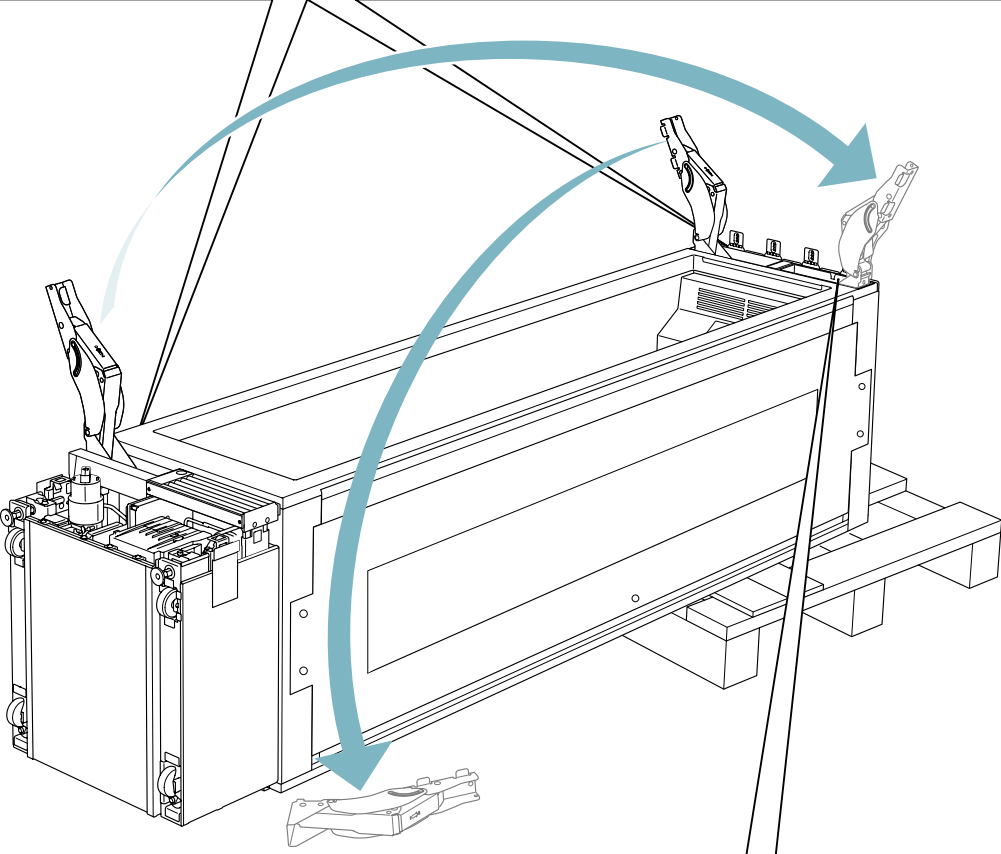
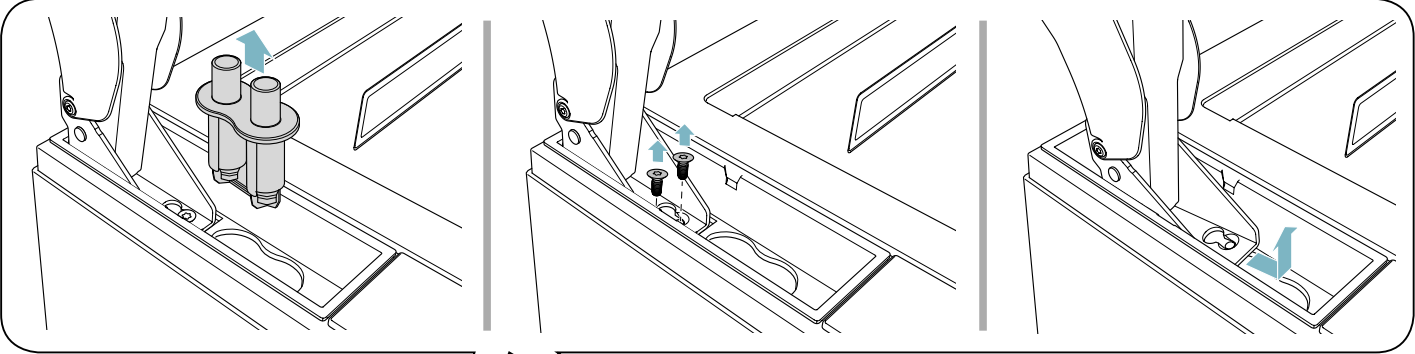
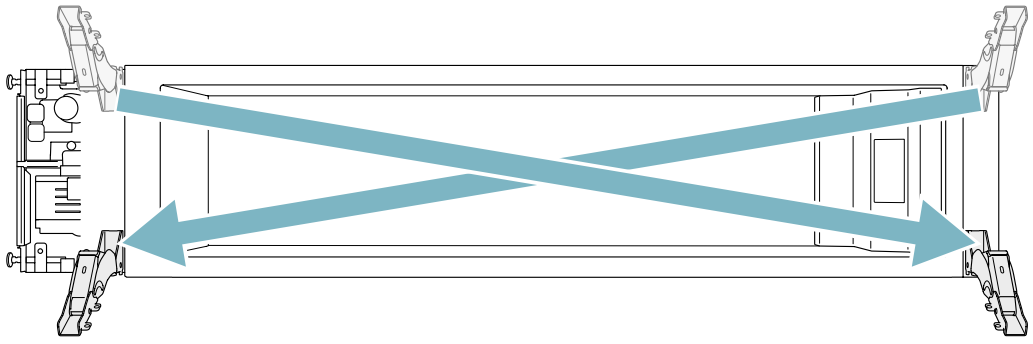


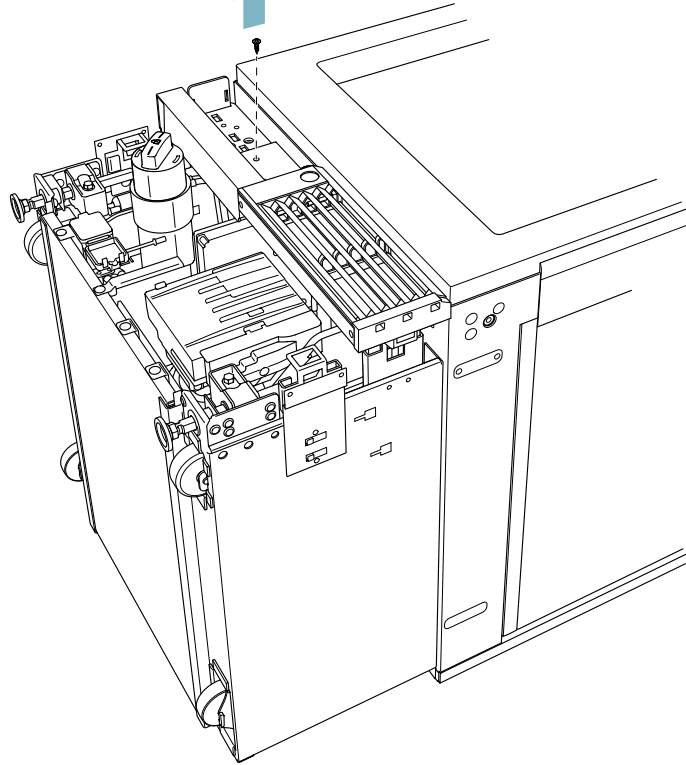
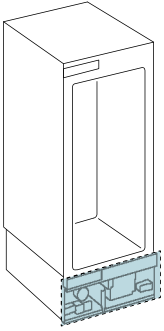
A
B
C
D



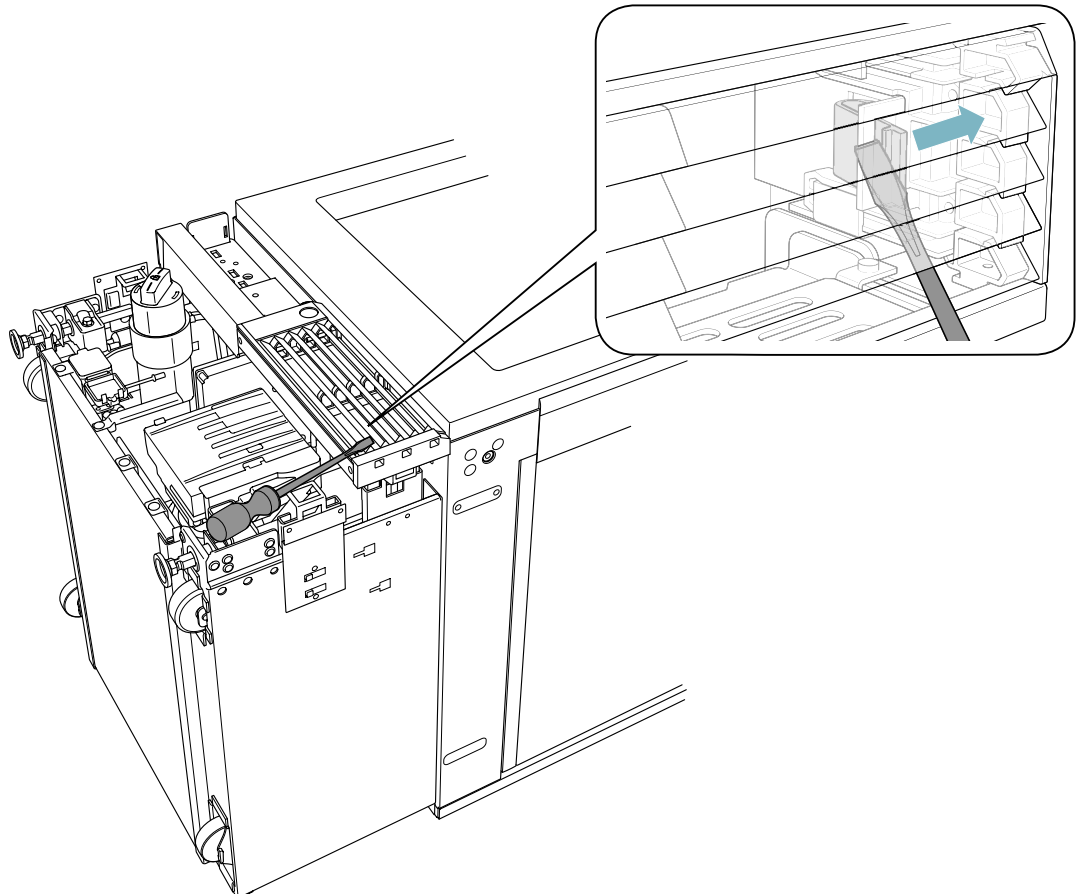


A
B
C
D

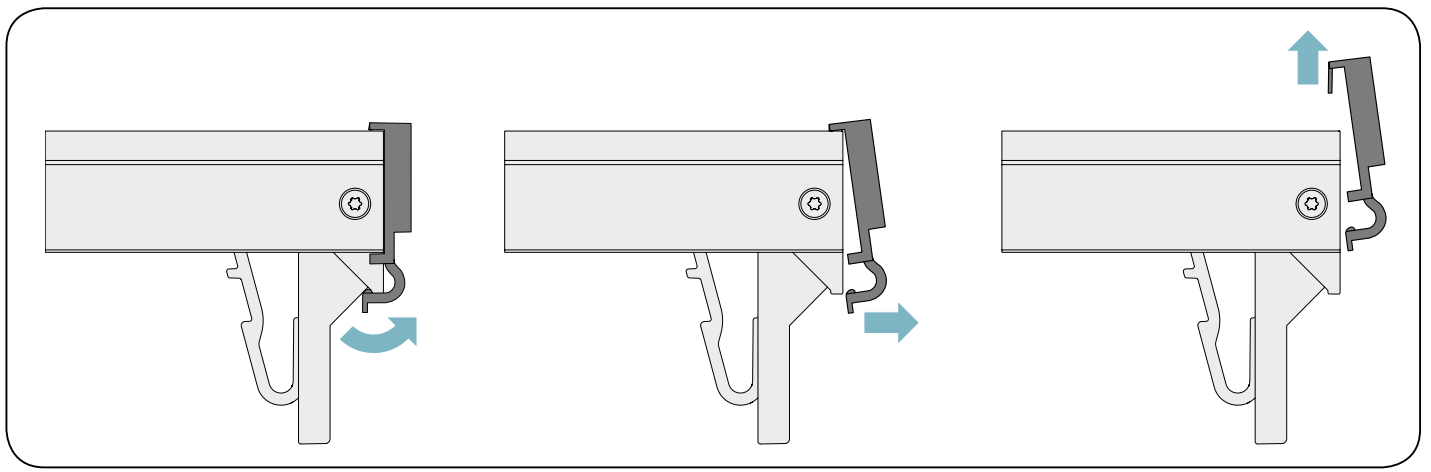
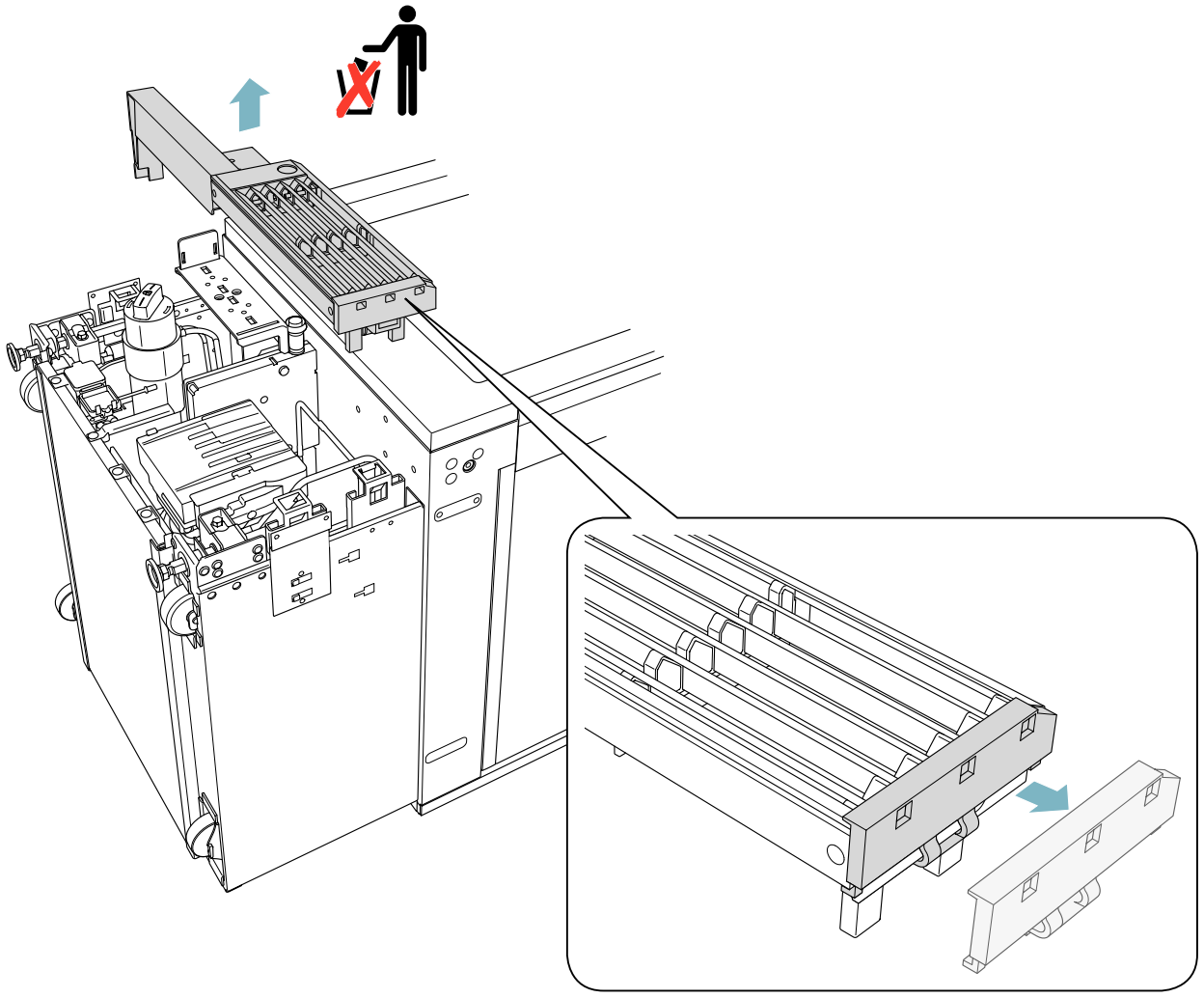




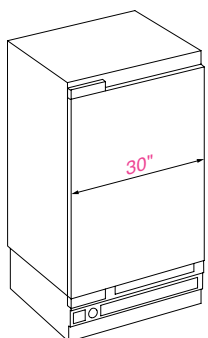
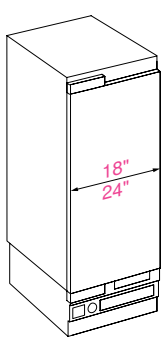
- A
- B
- C
- D



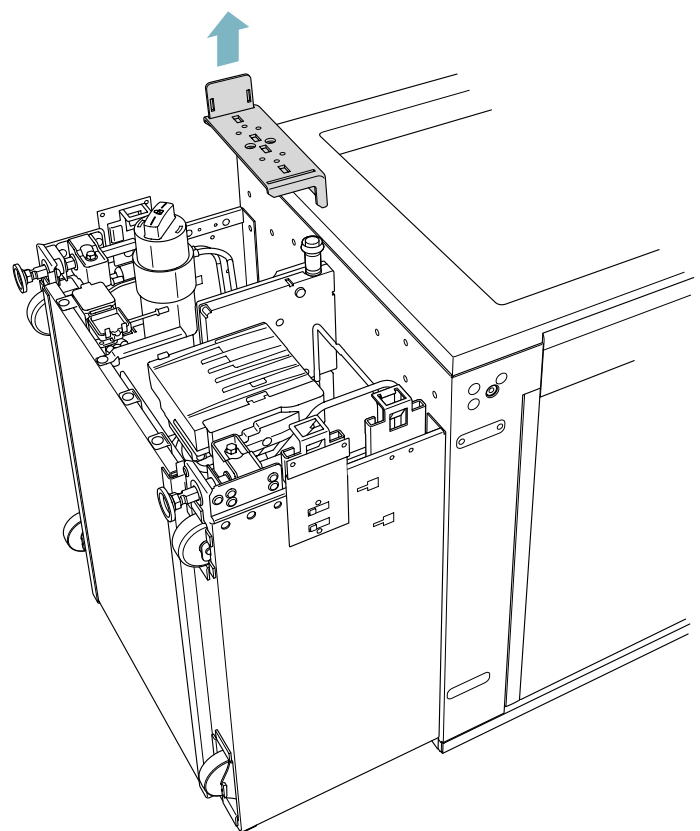
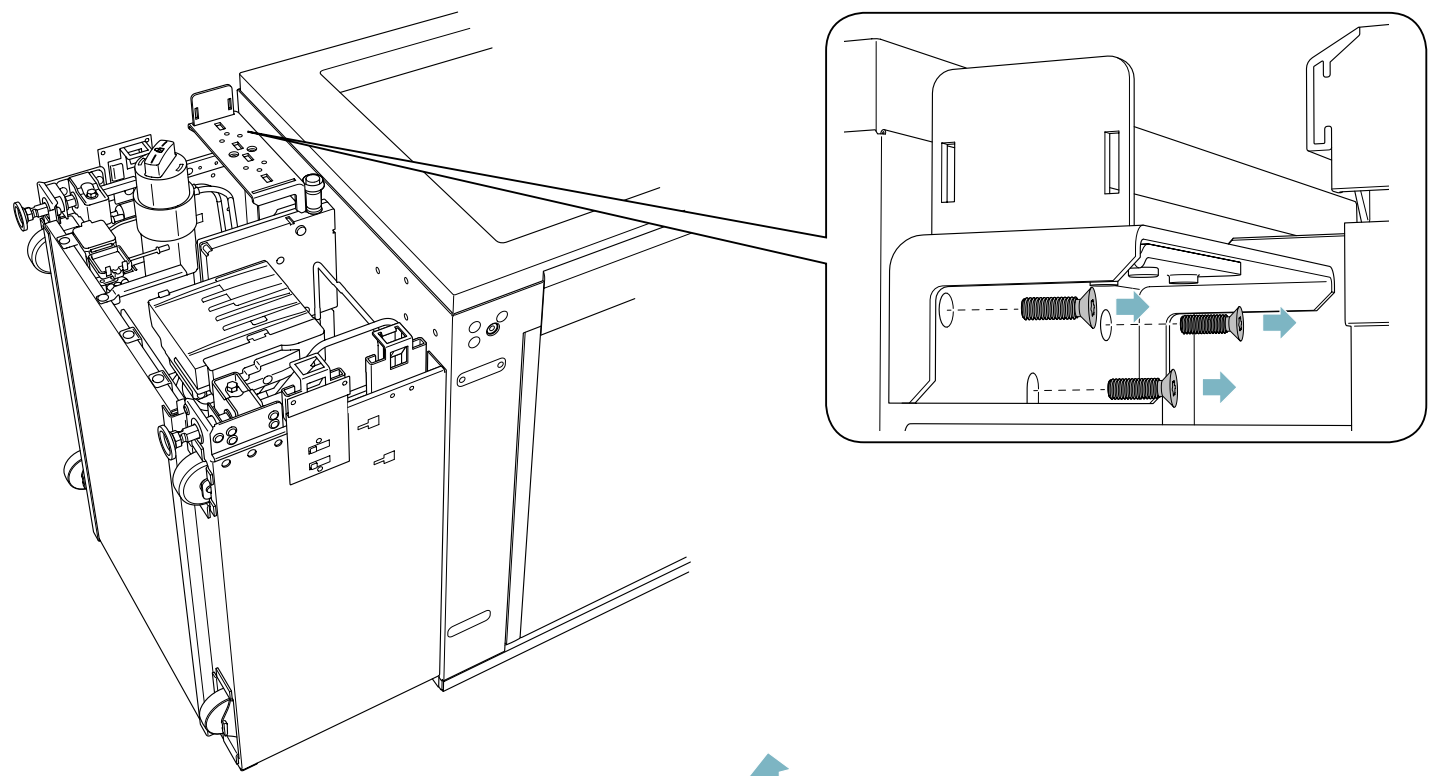
A
B
C
D



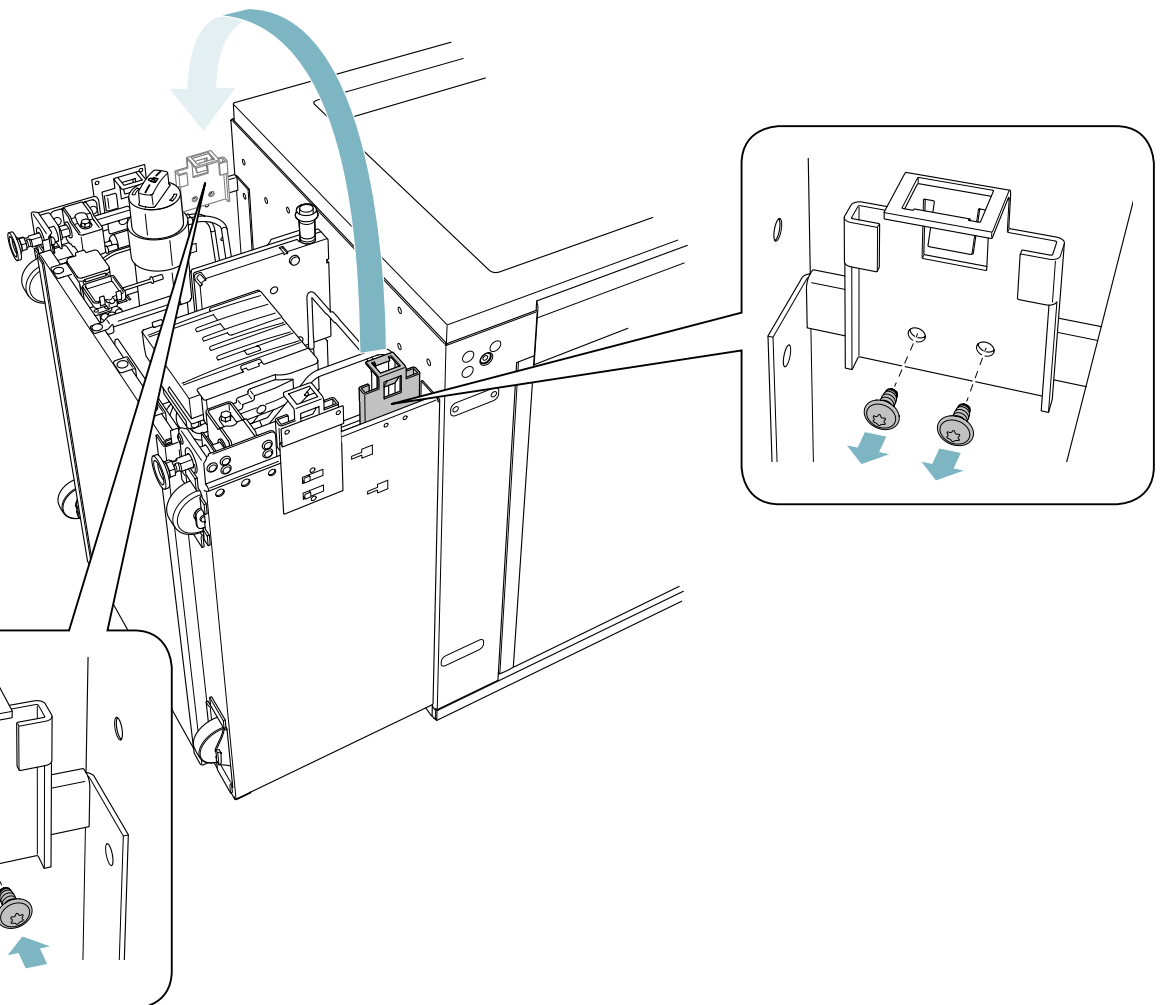
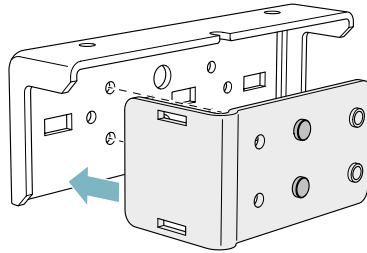
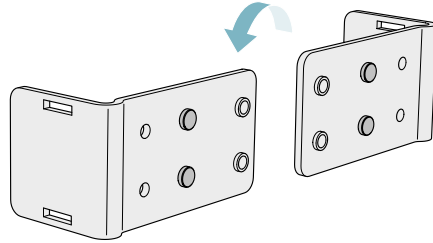
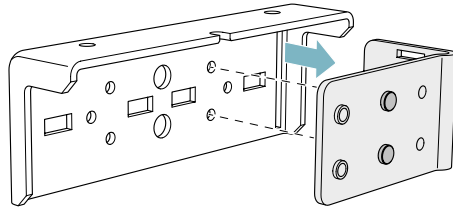
23



→26



A
B
C
D

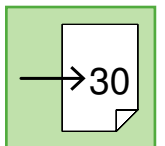
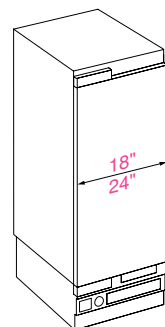
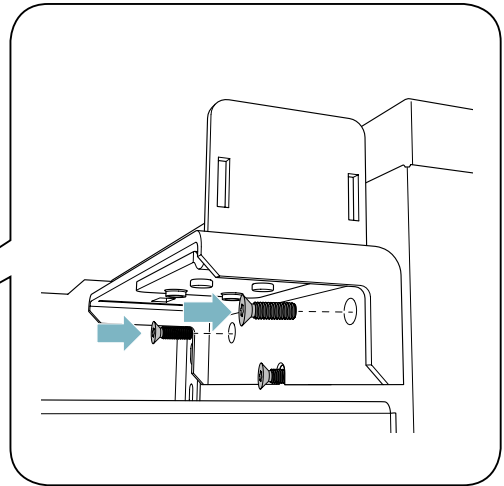
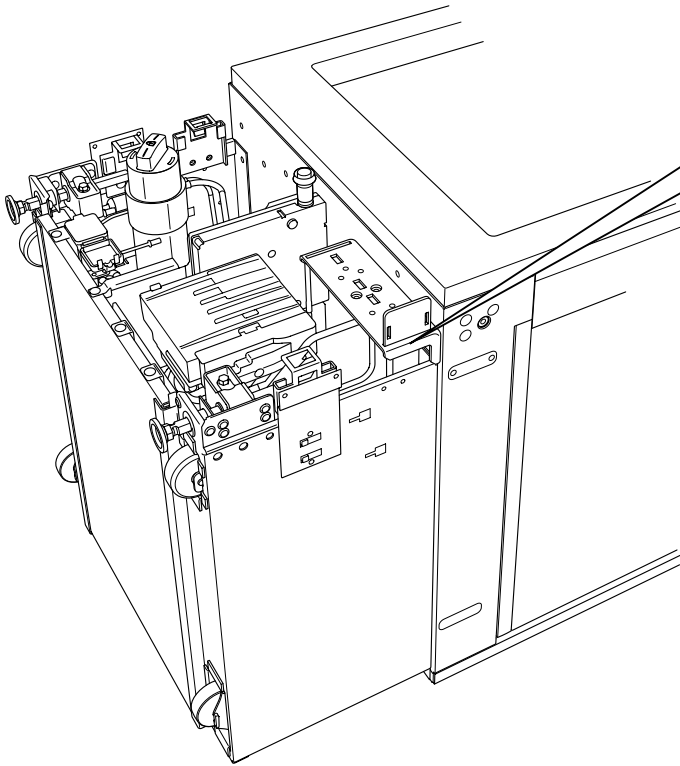
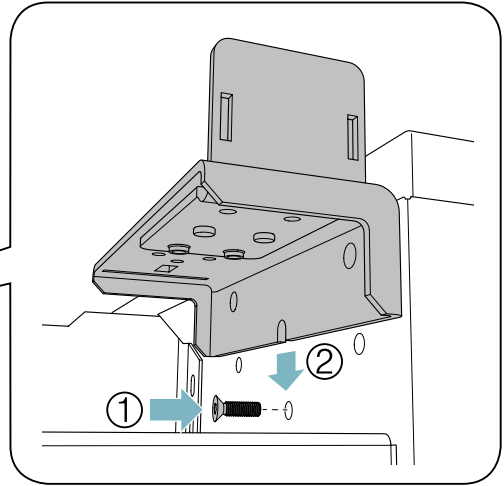
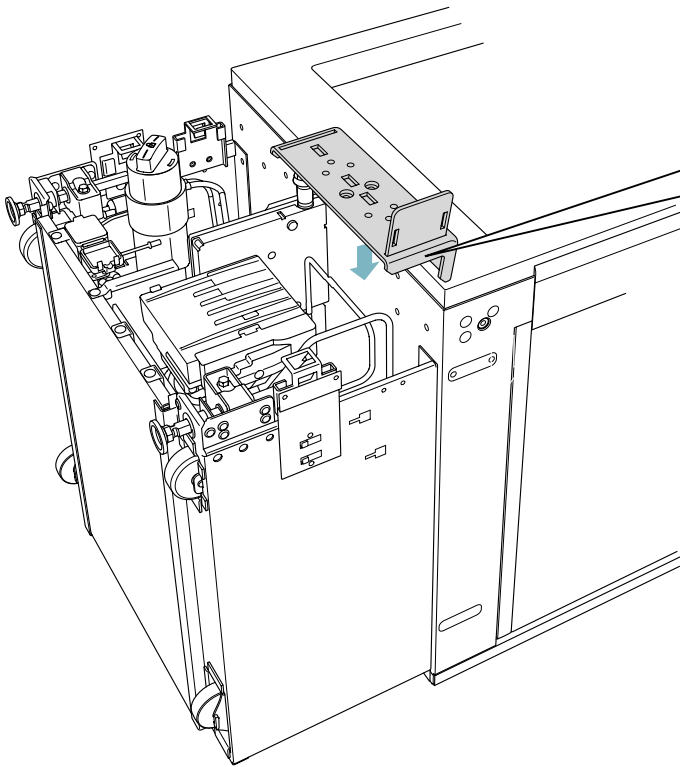


A

B

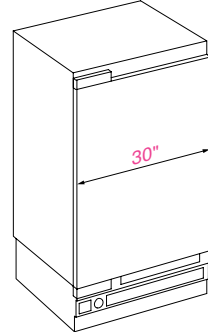
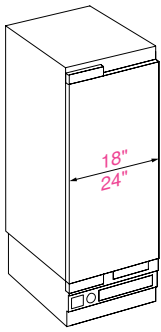
C

D

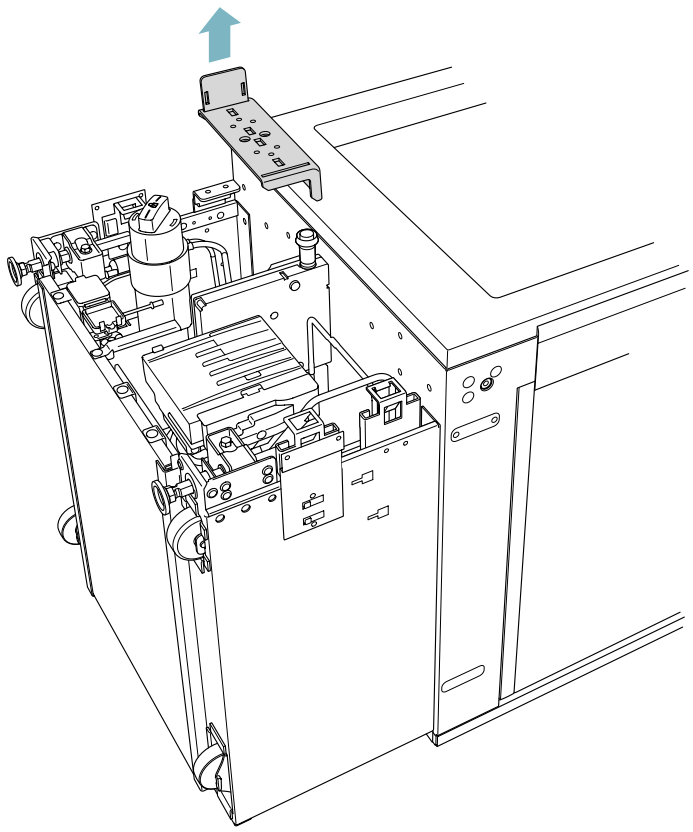
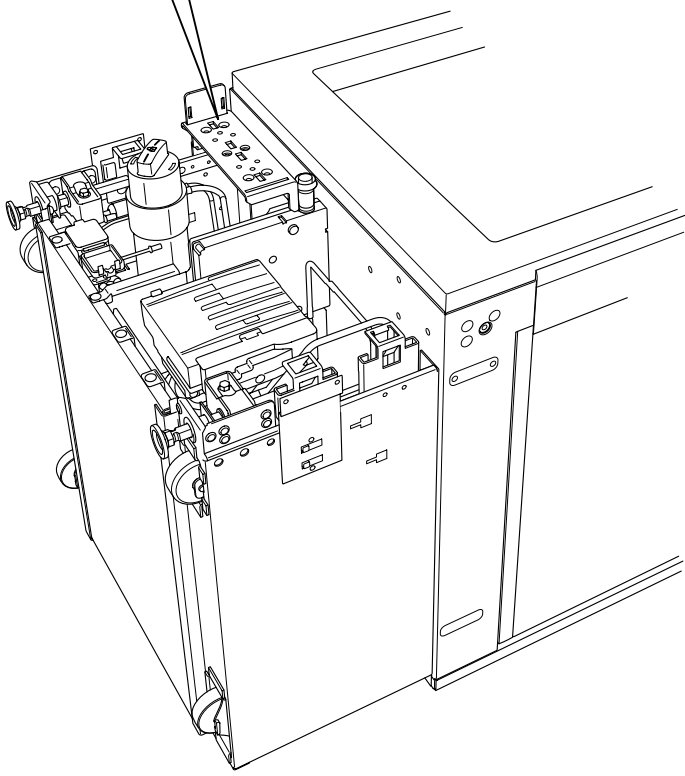
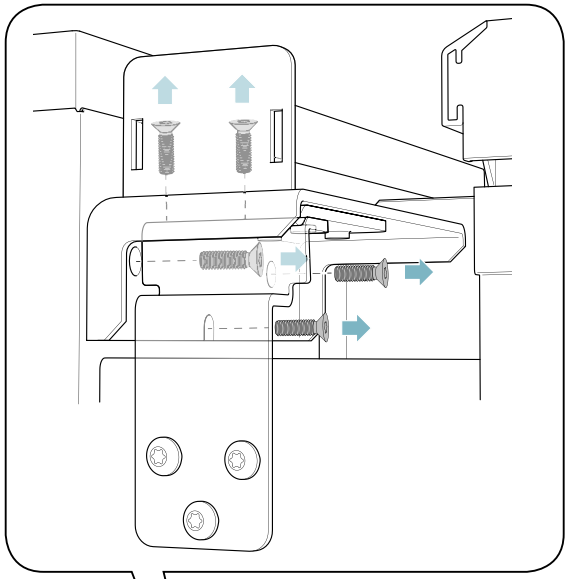


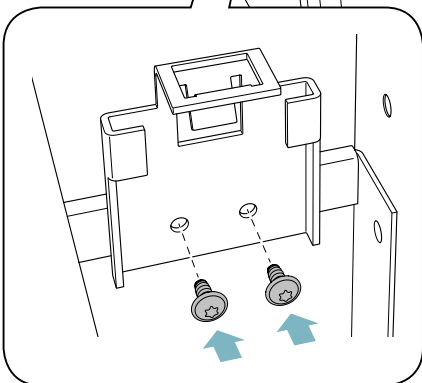
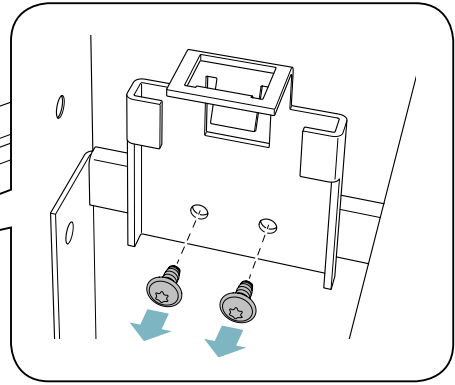
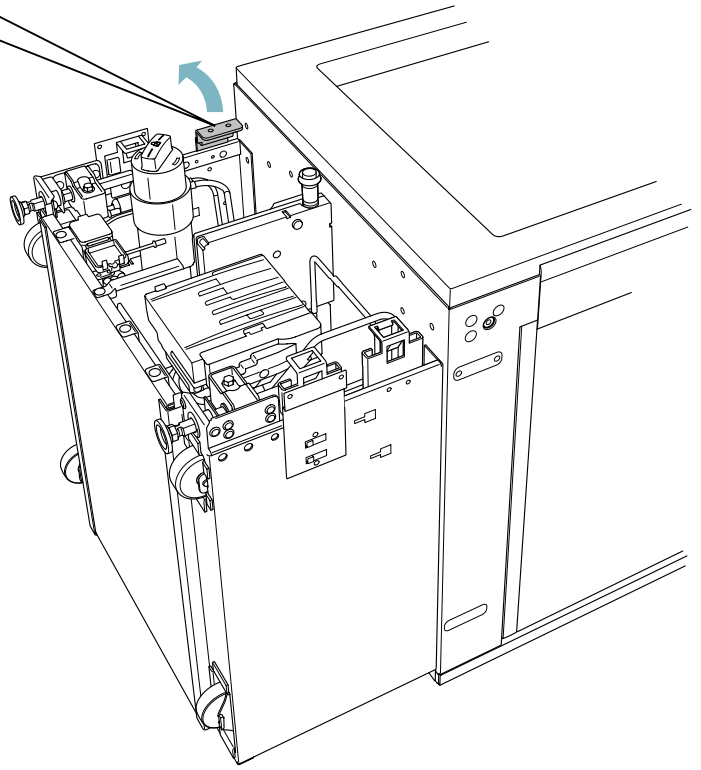
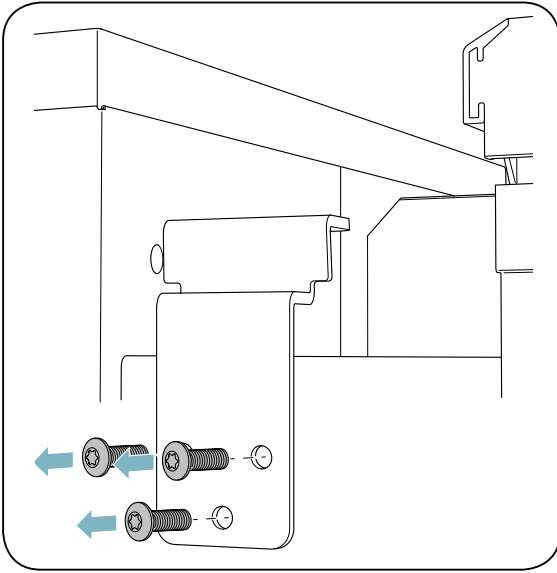
A
B
C
D

23 ←

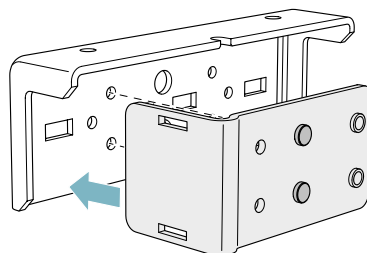
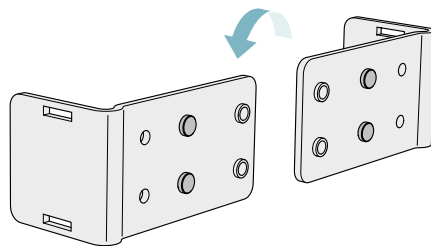
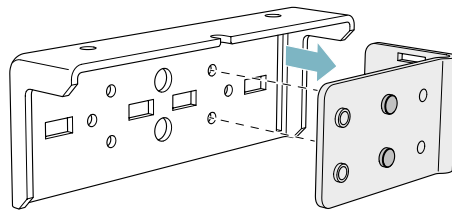
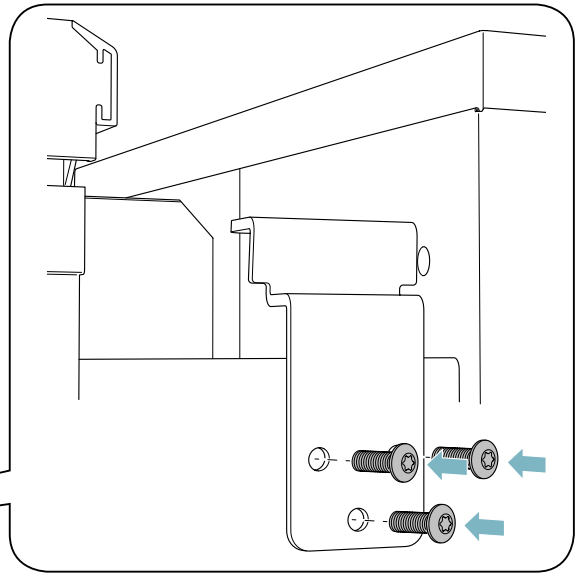
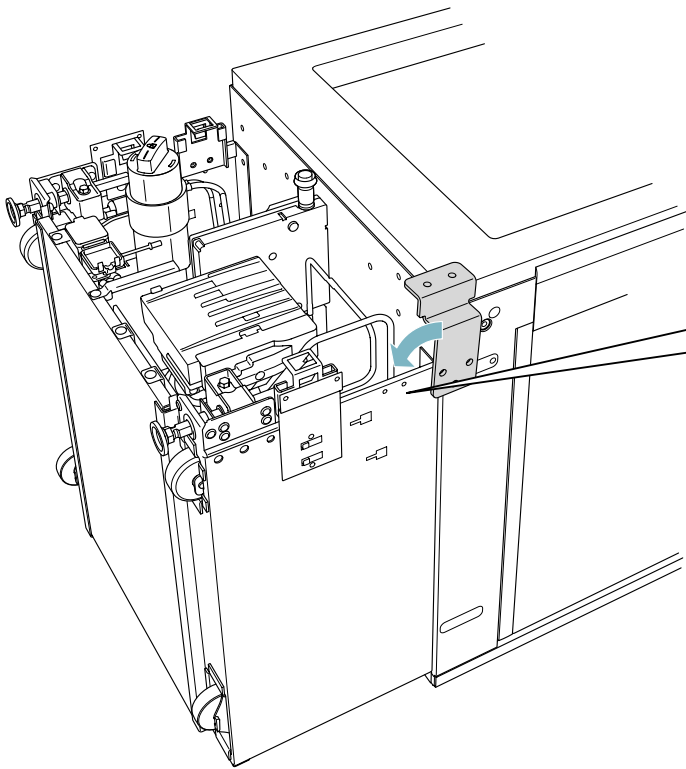


26





A
B
C
D

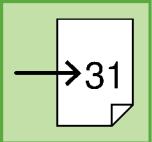
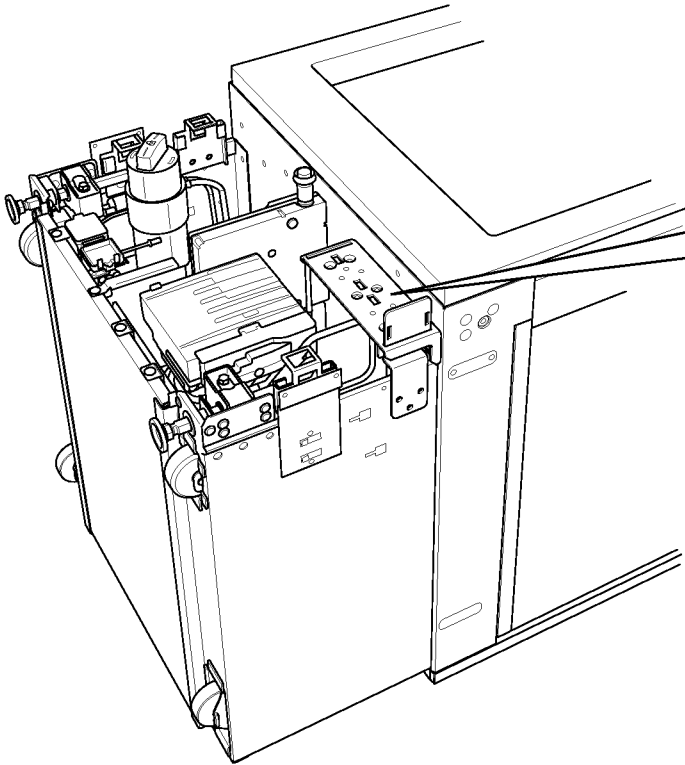
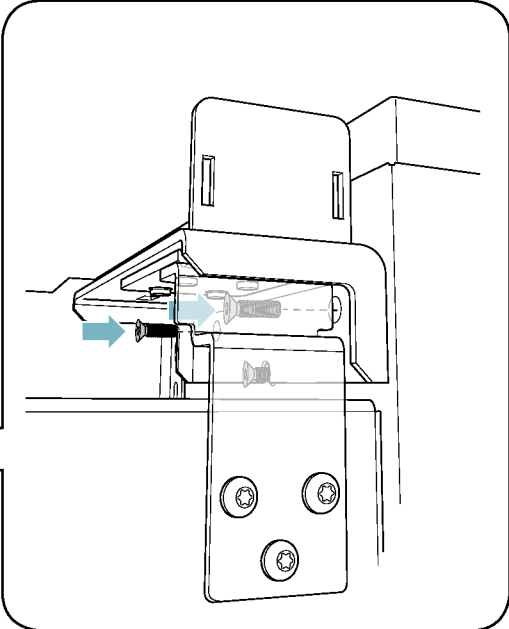
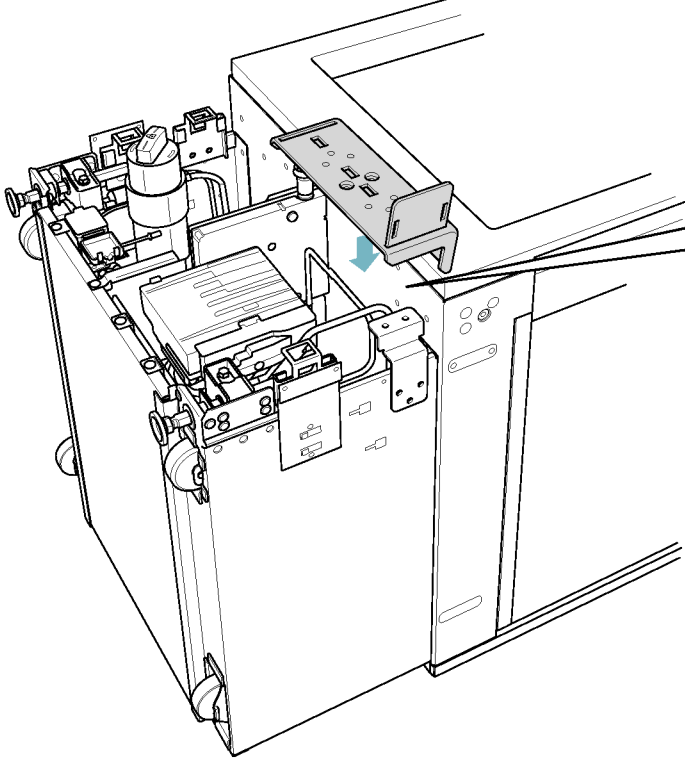
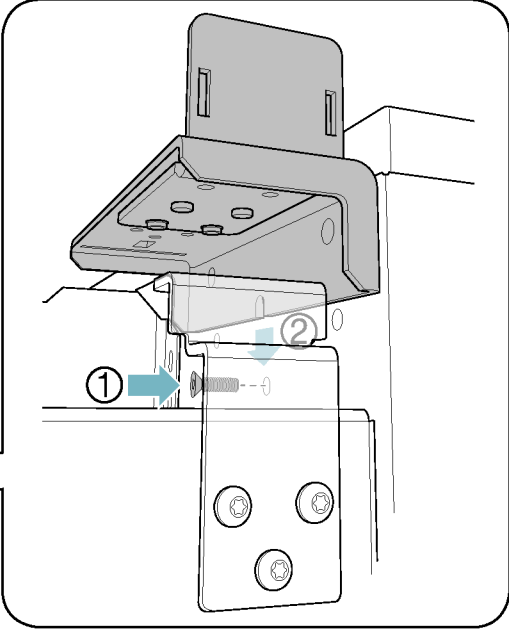


A

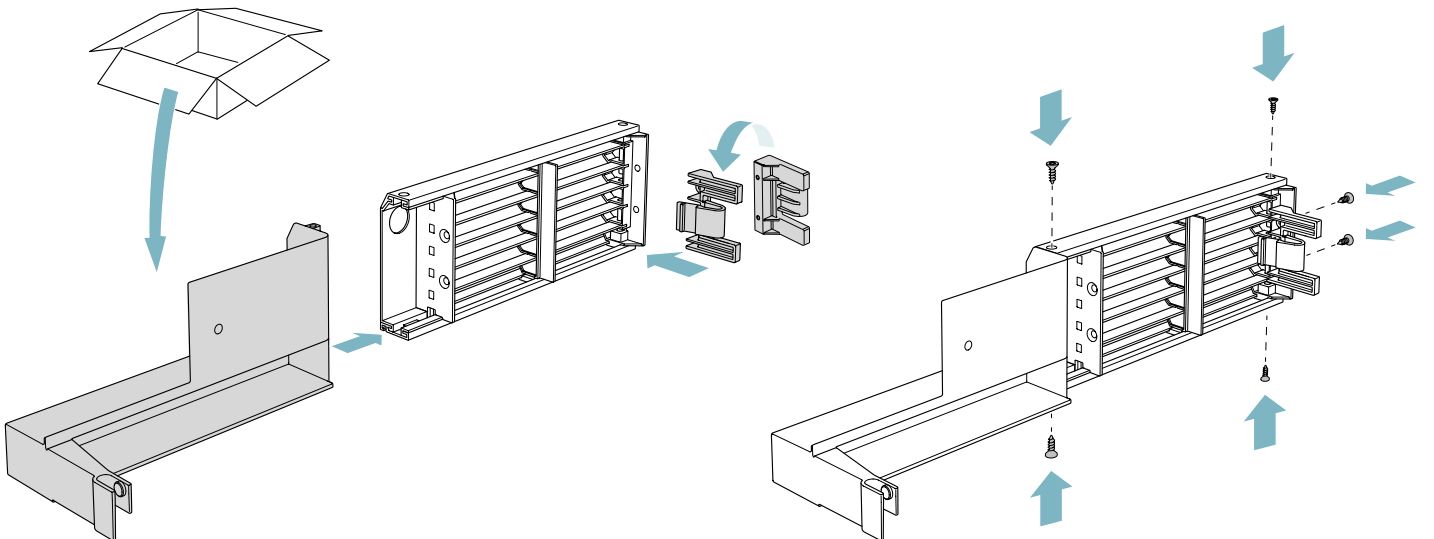
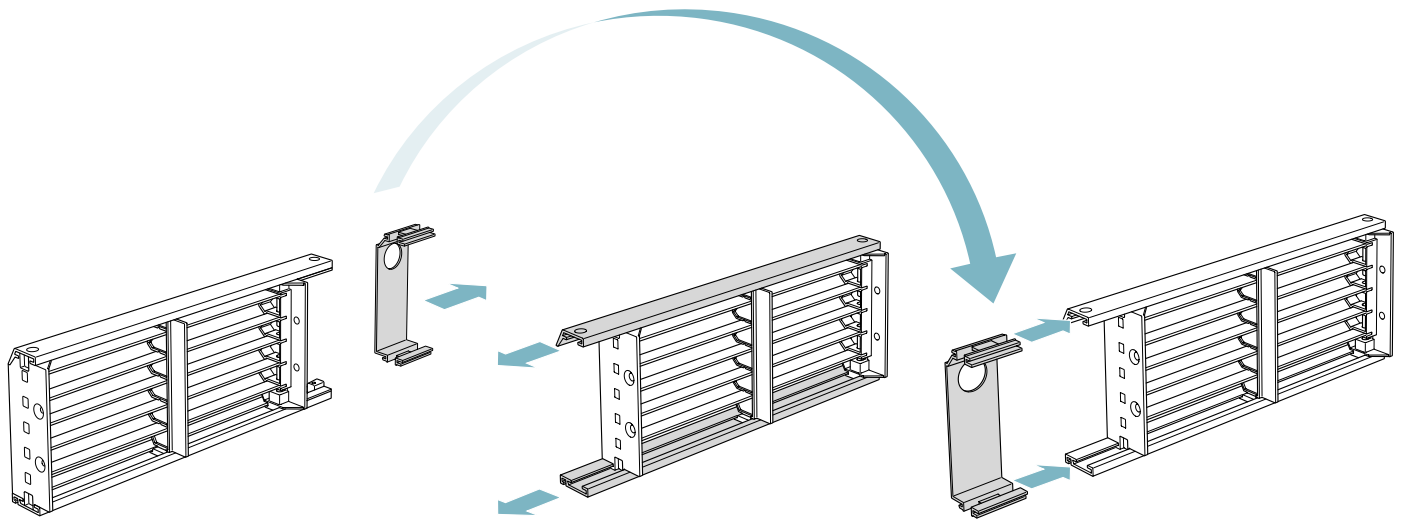
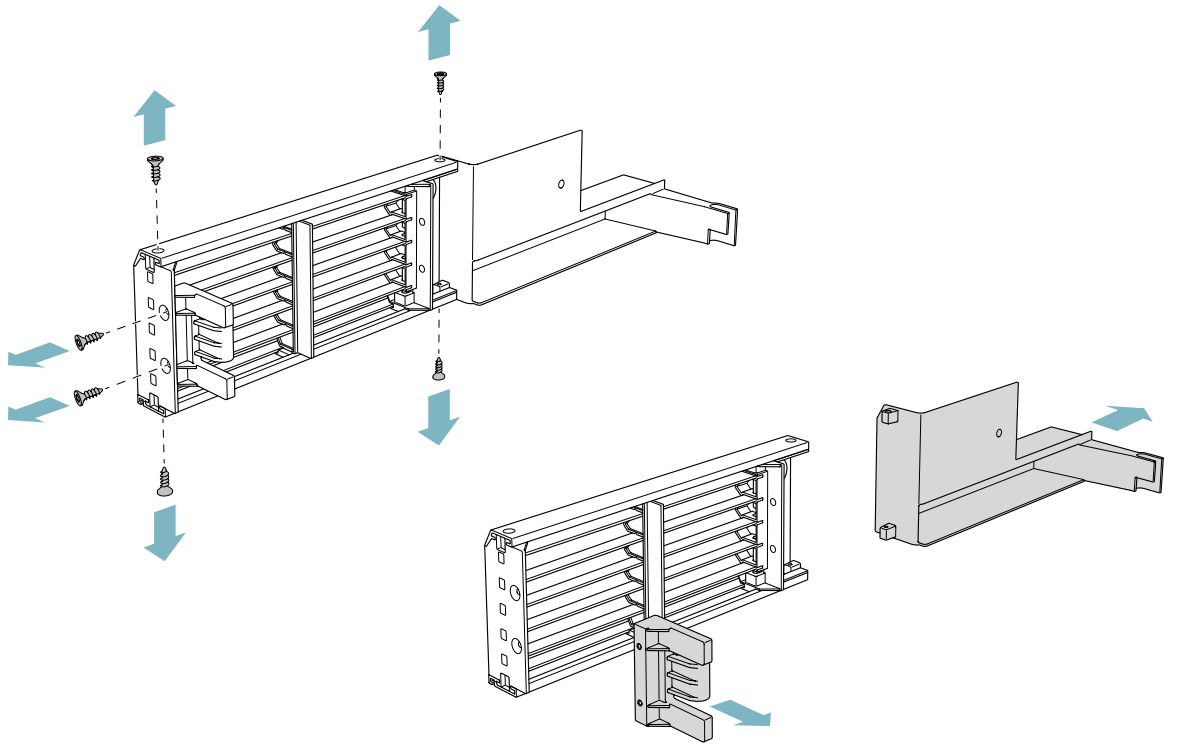
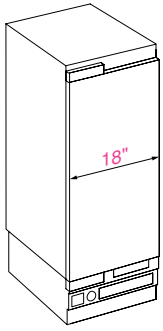
B

C

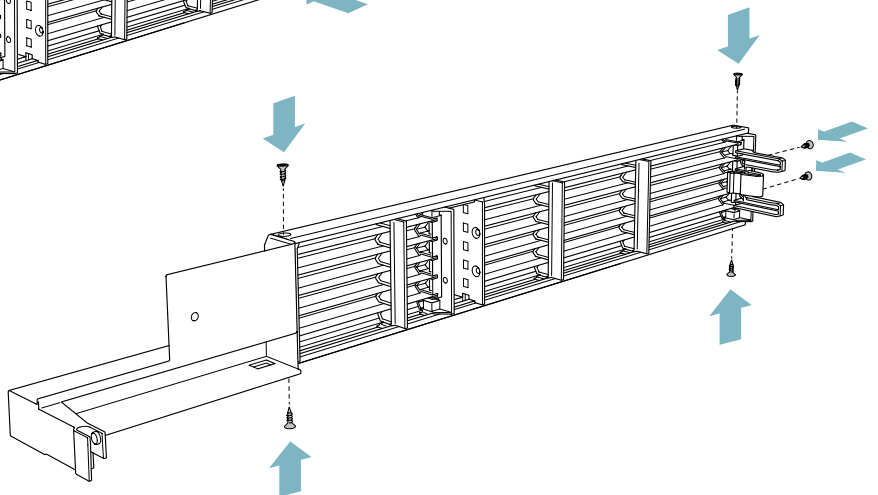
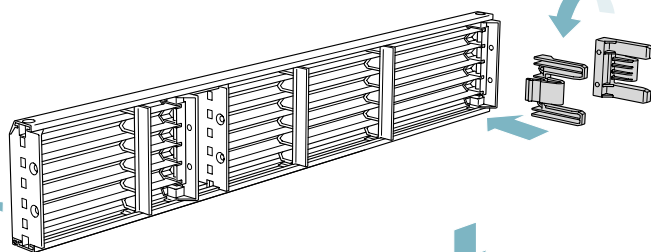
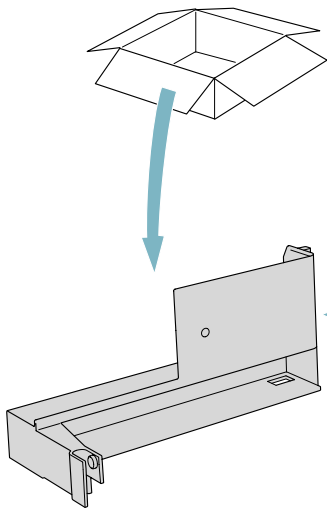
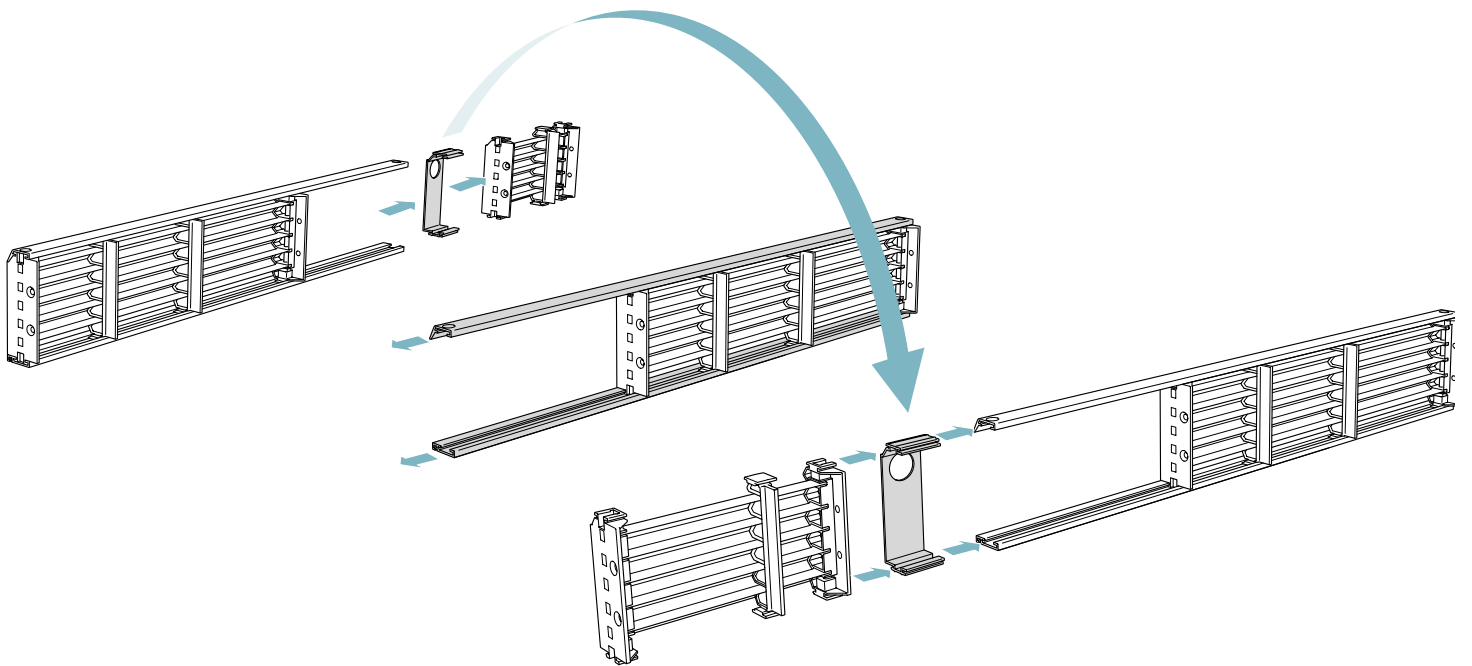
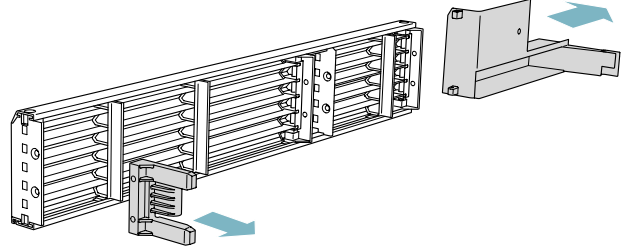
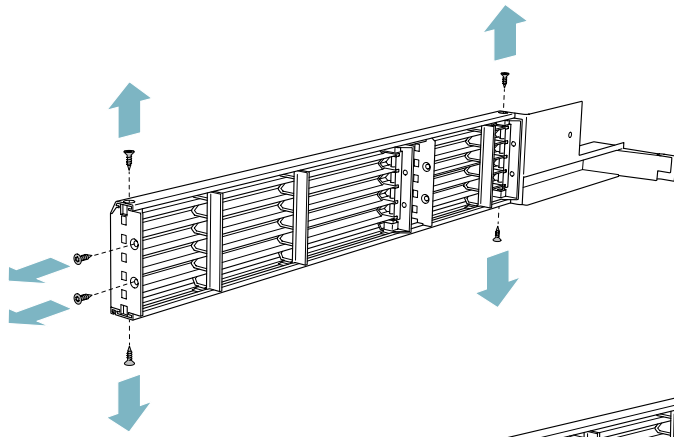
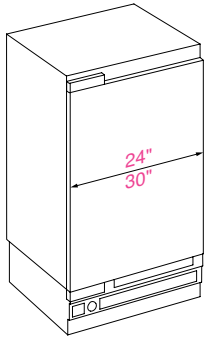
D



A
B
C
D



A
B
C
D

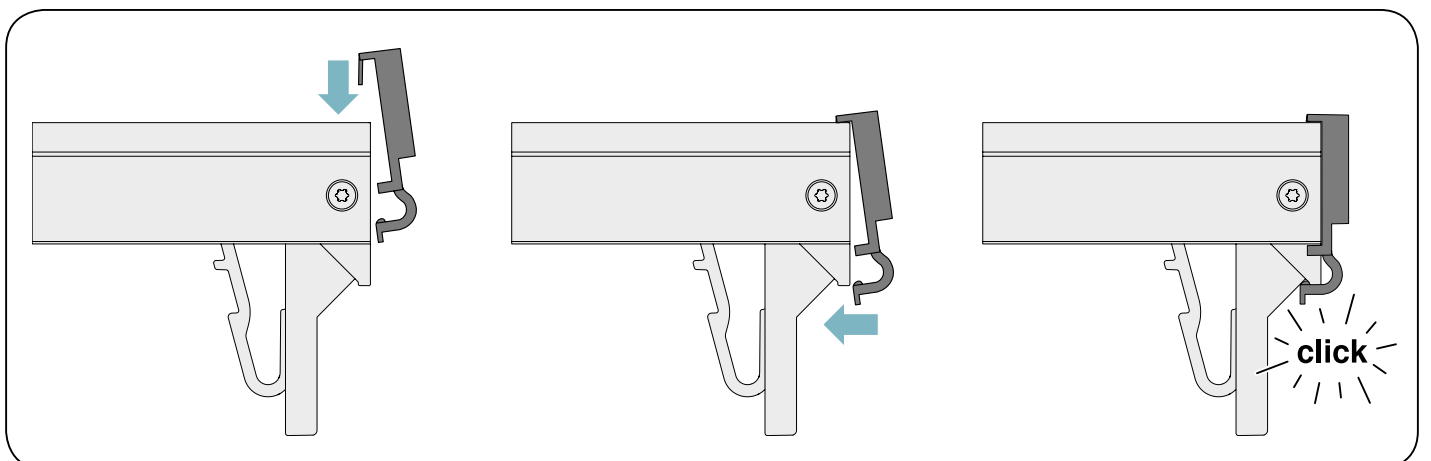
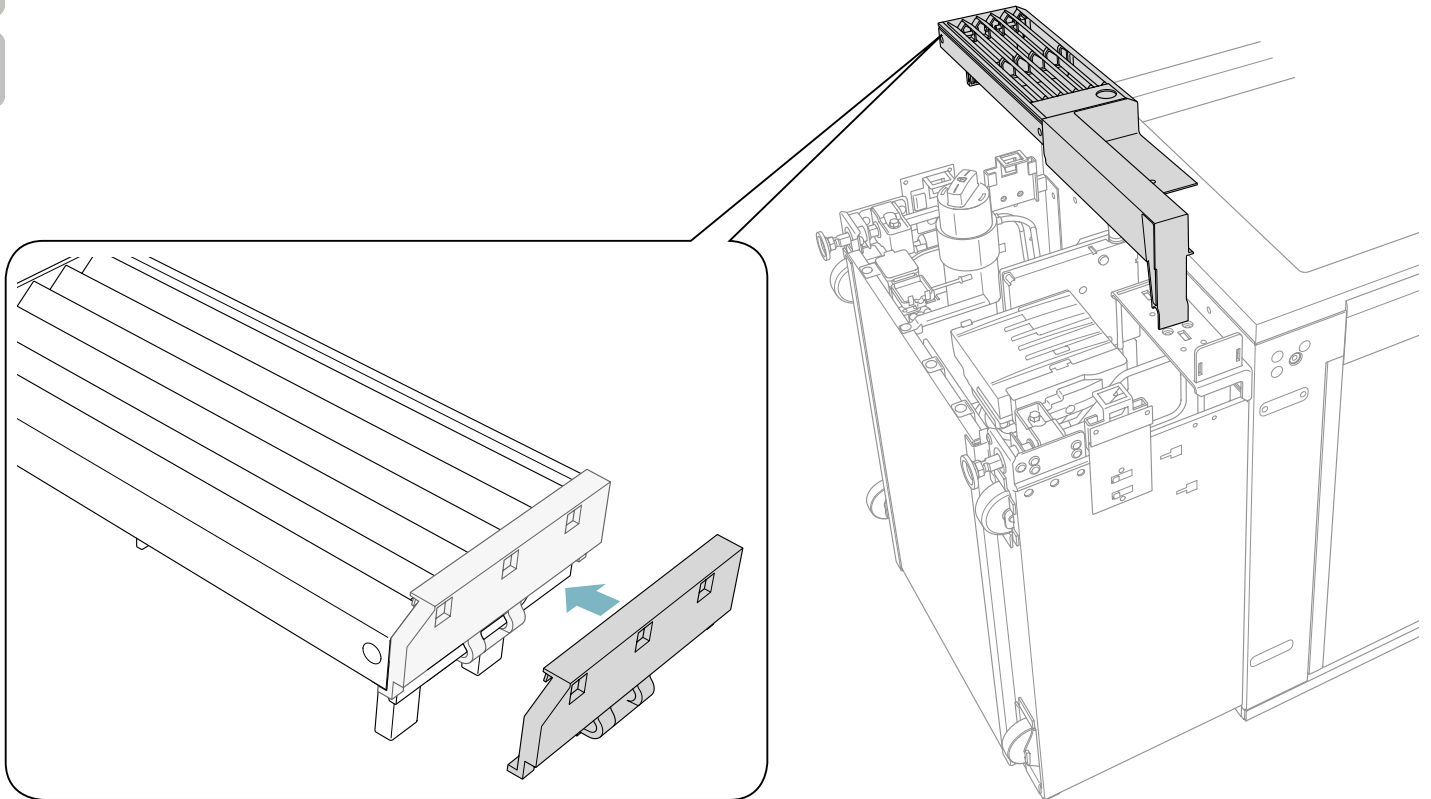
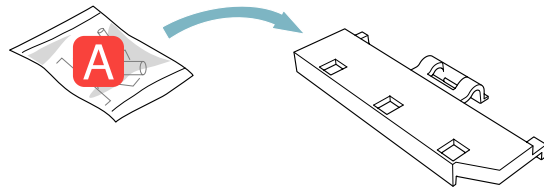


A

B

C

D

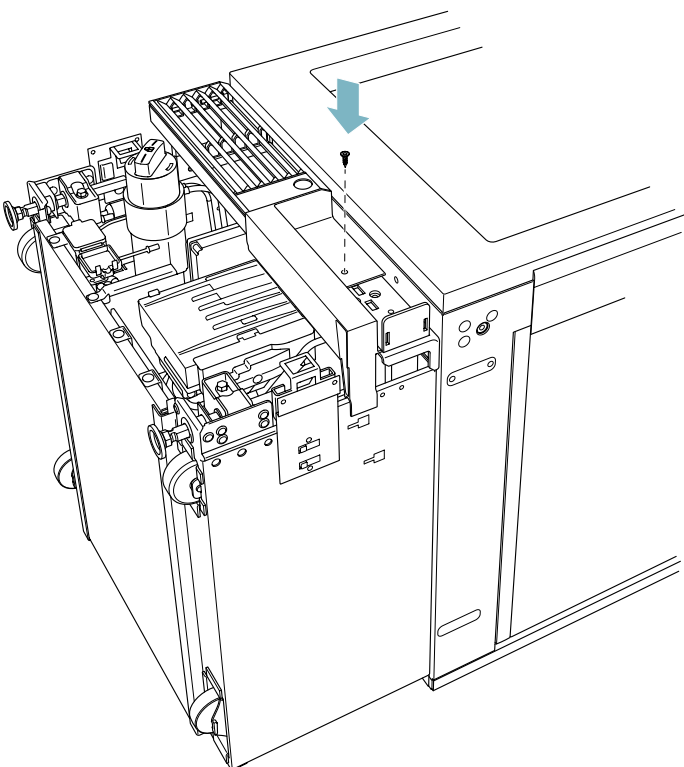
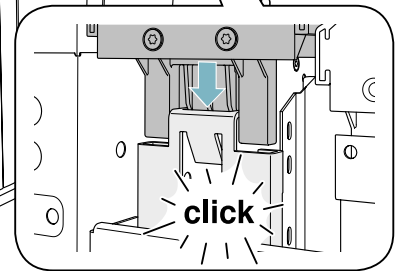
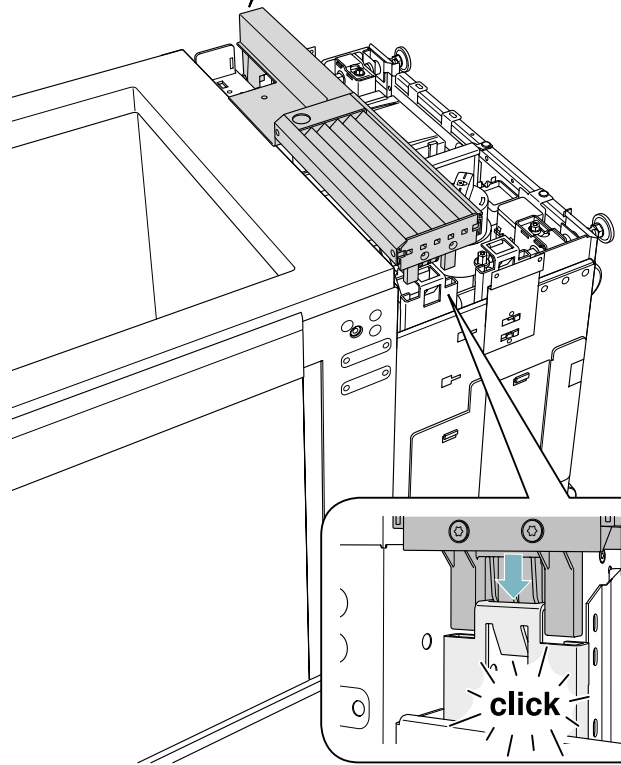
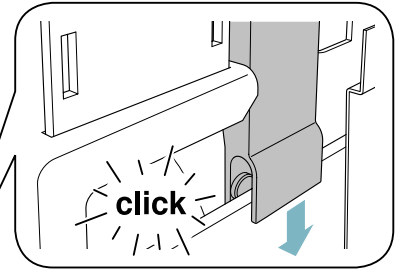
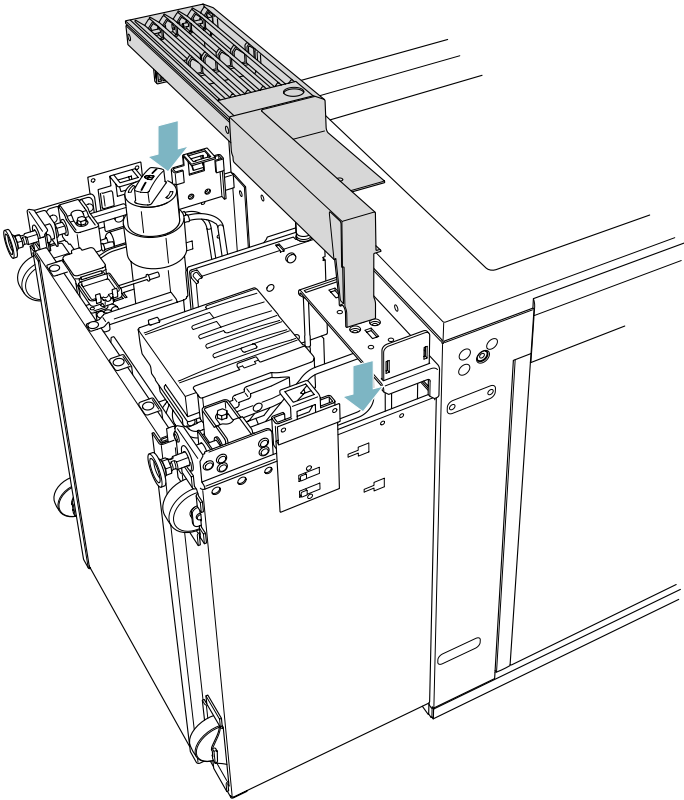


A

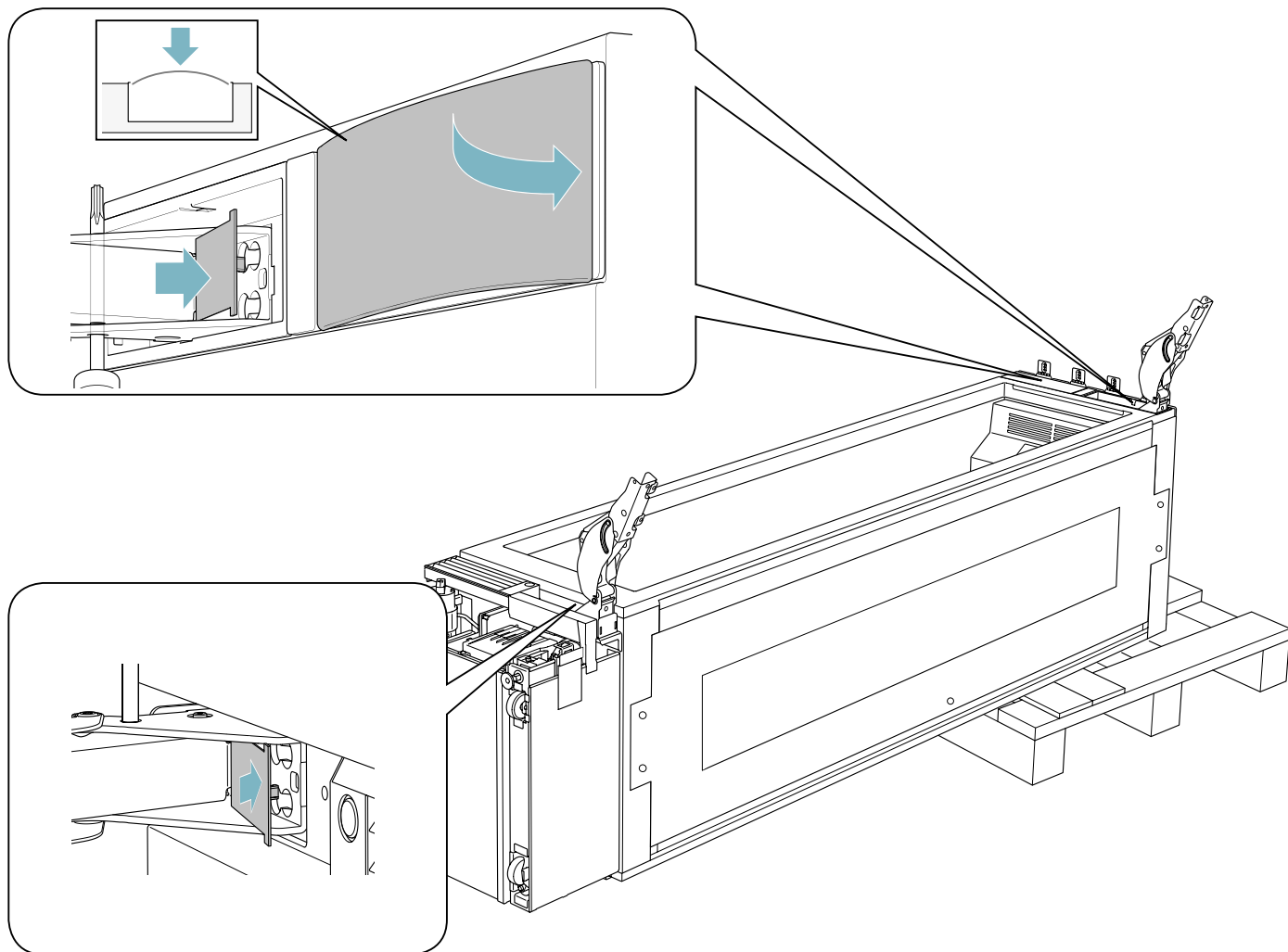
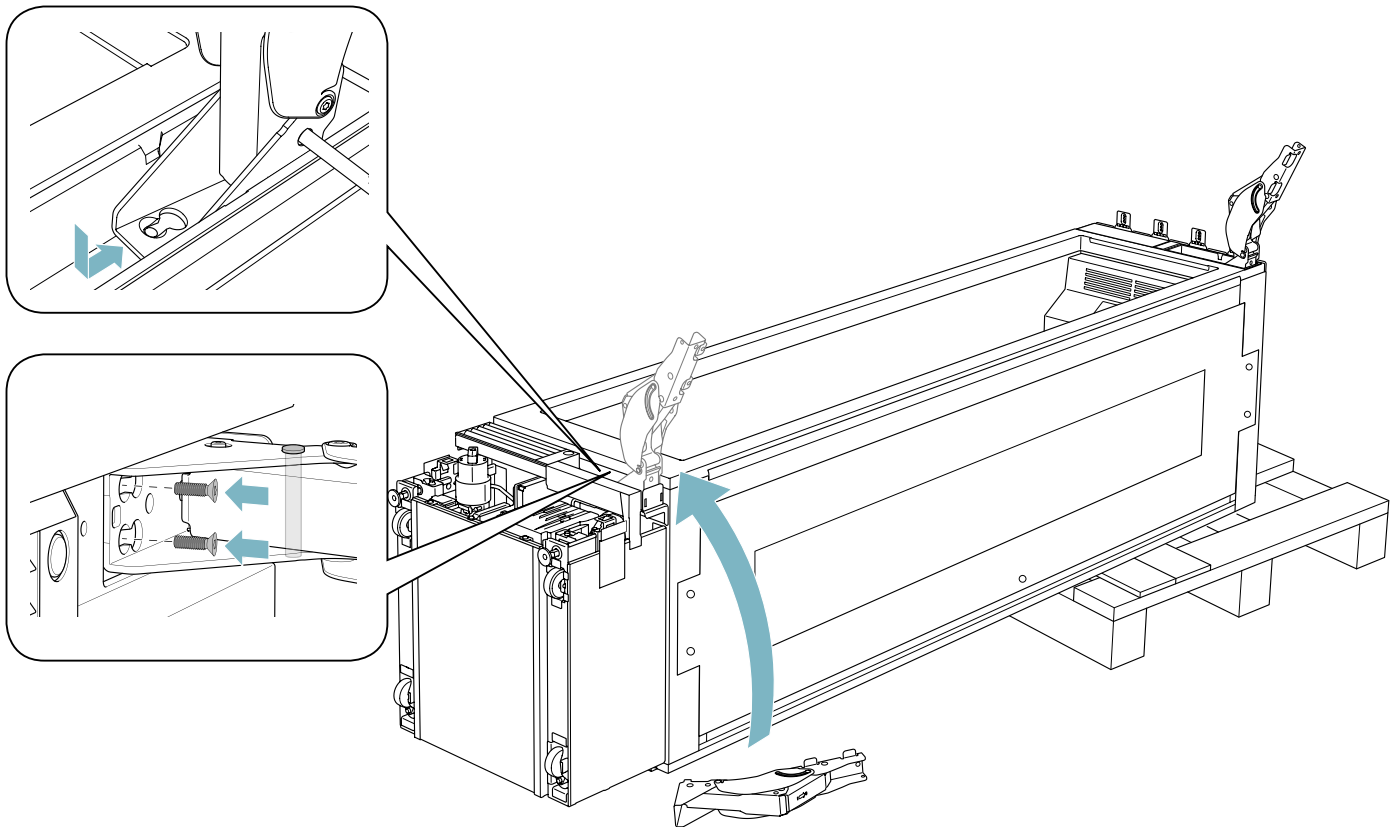
B

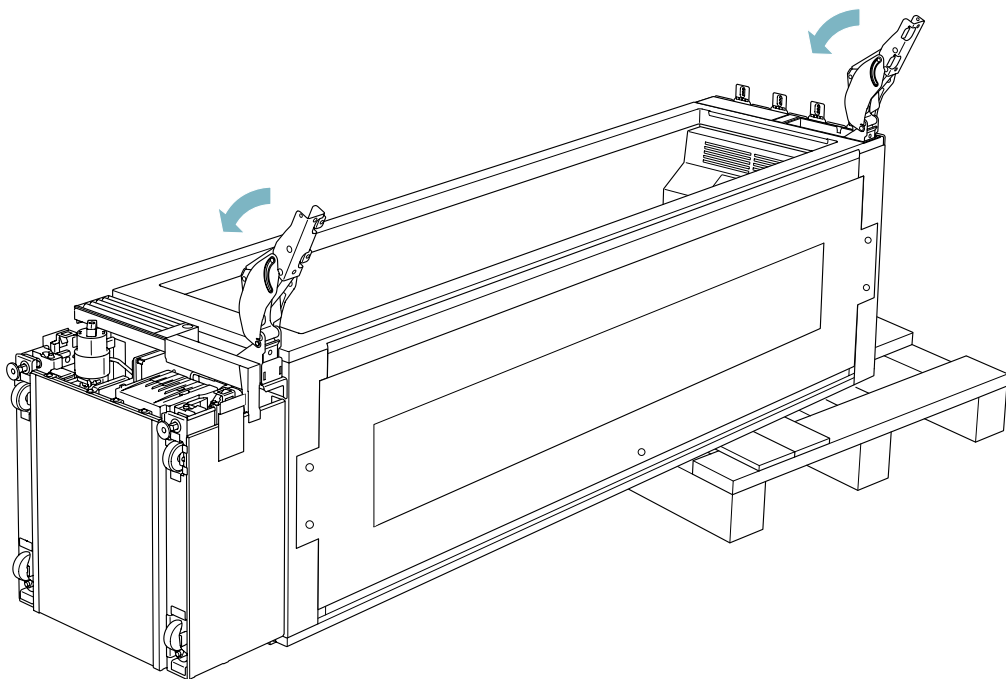
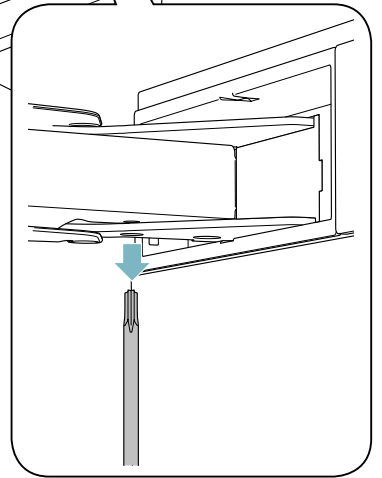
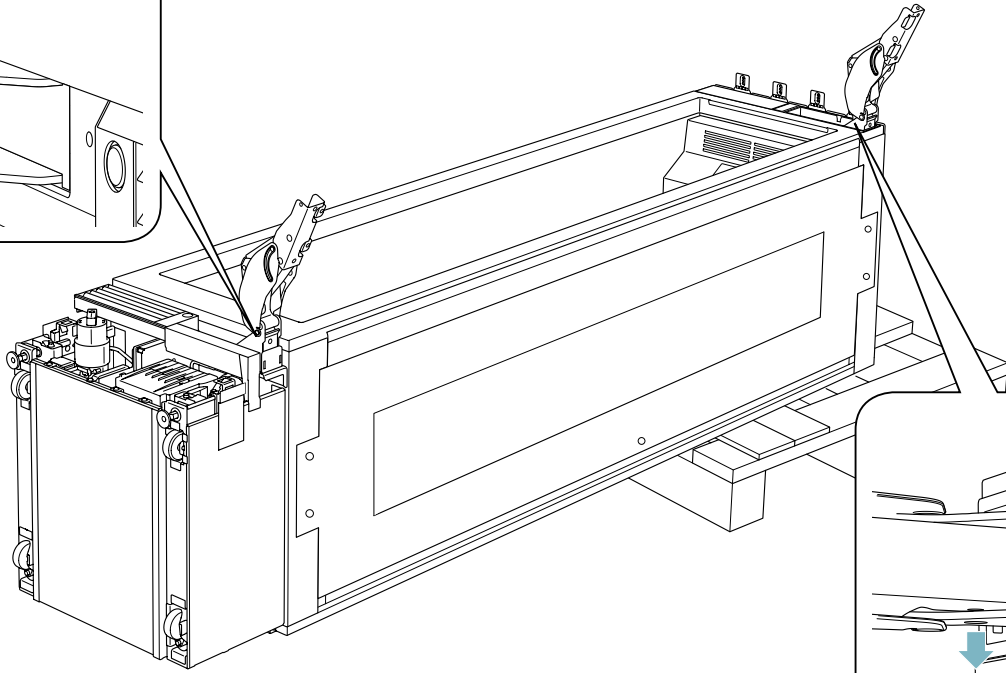
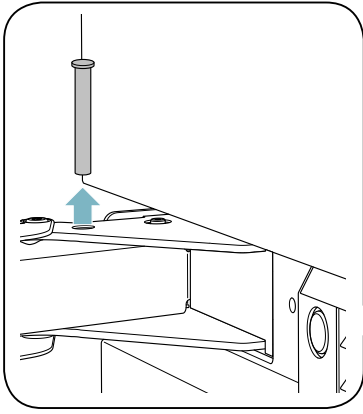
C

D

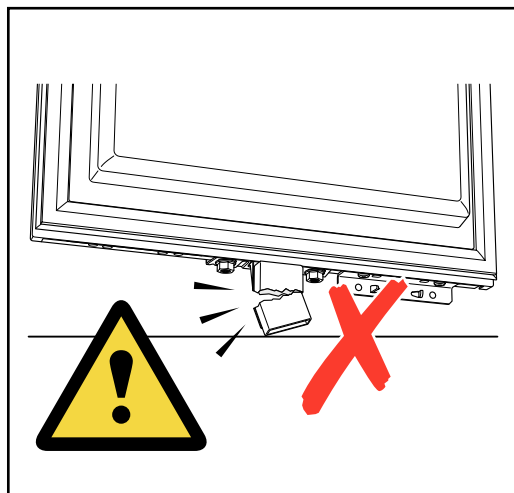
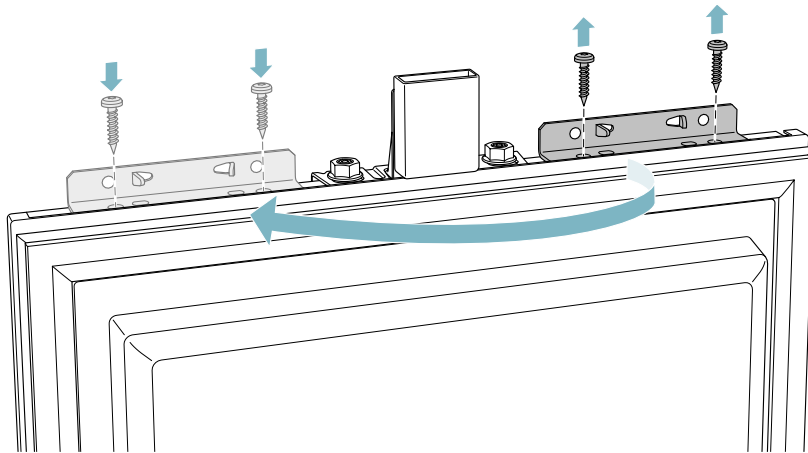
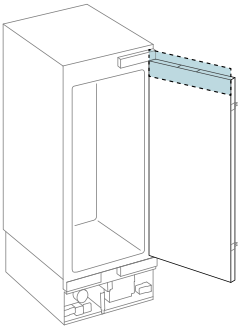
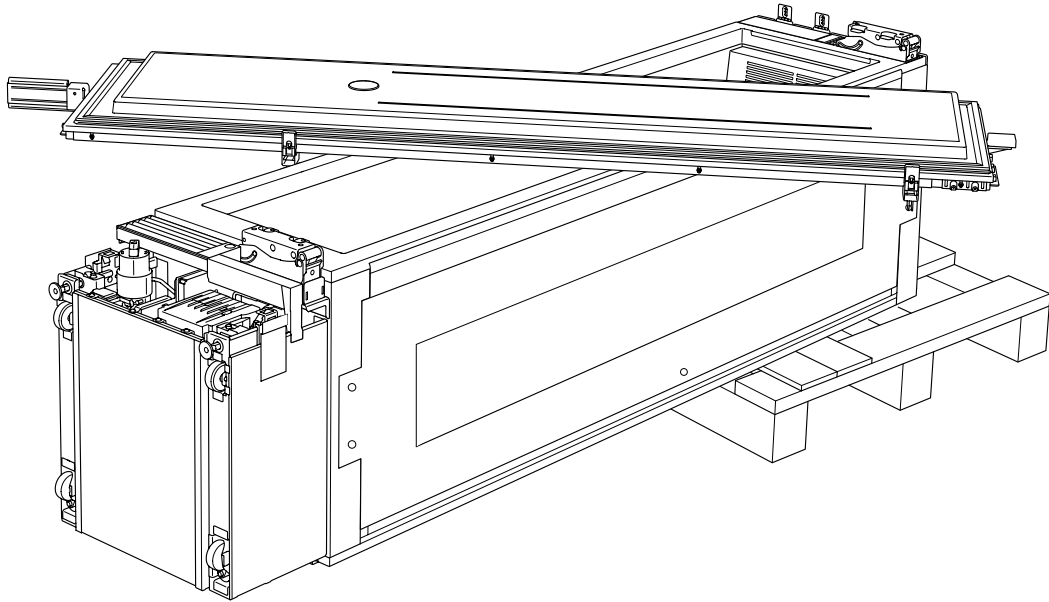


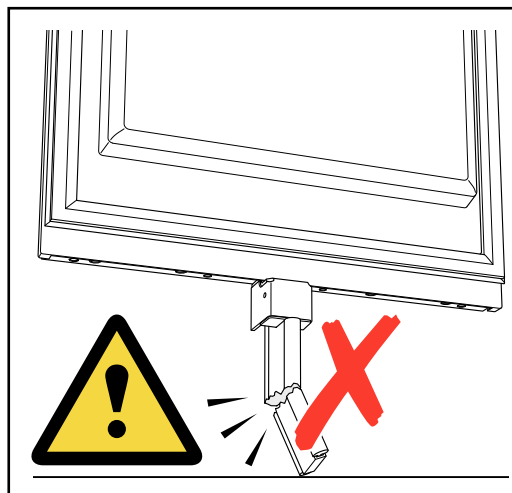
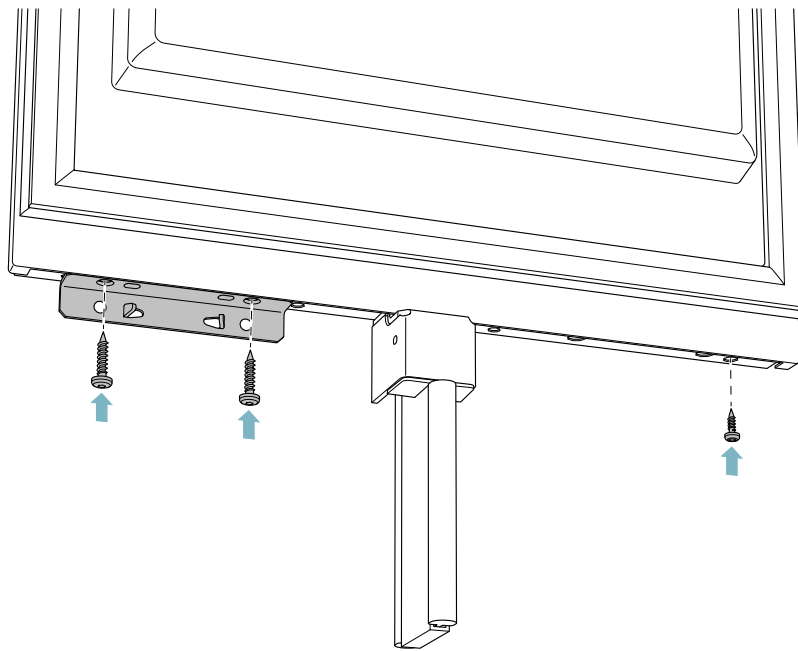
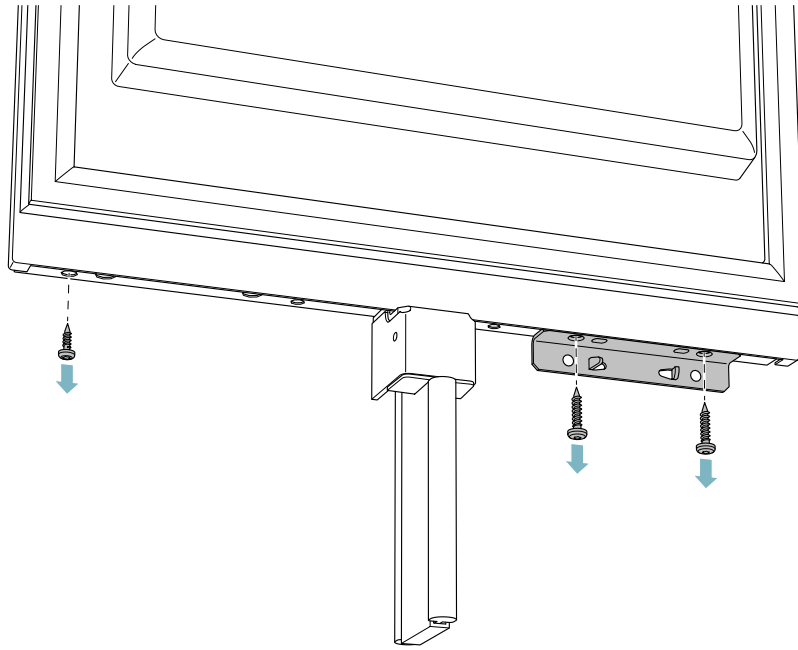
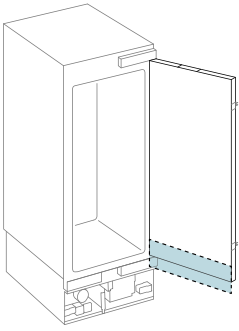
A
B
C
D



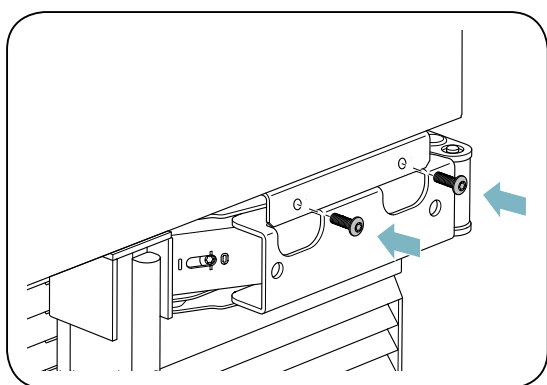
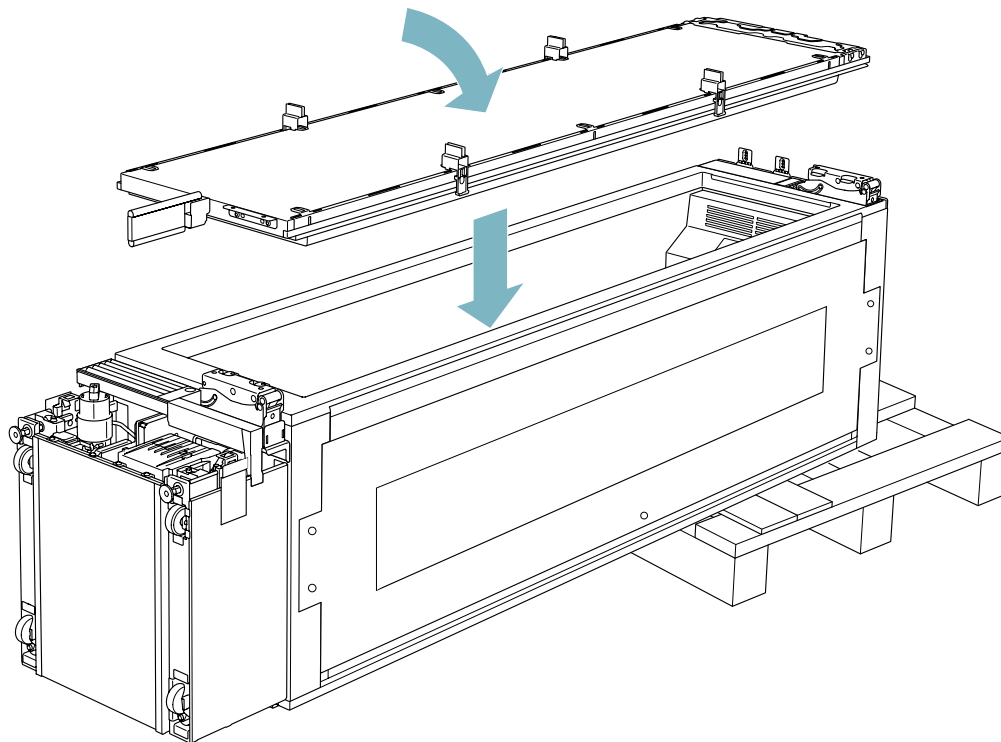


A
B
C
D

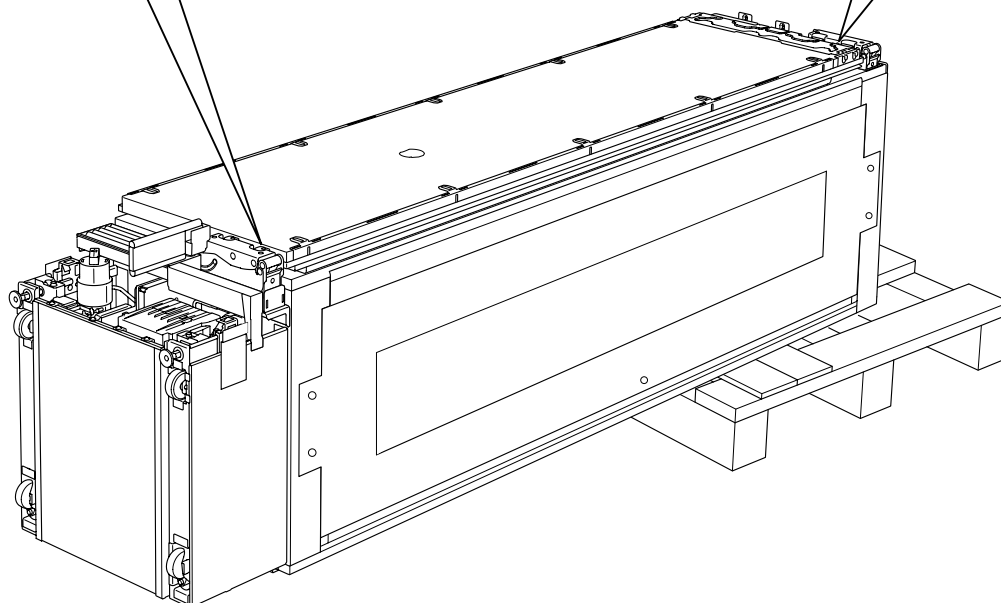
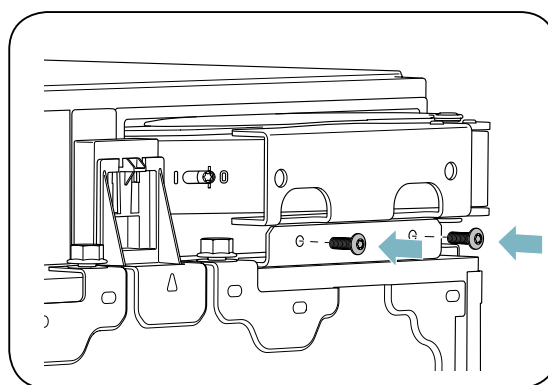


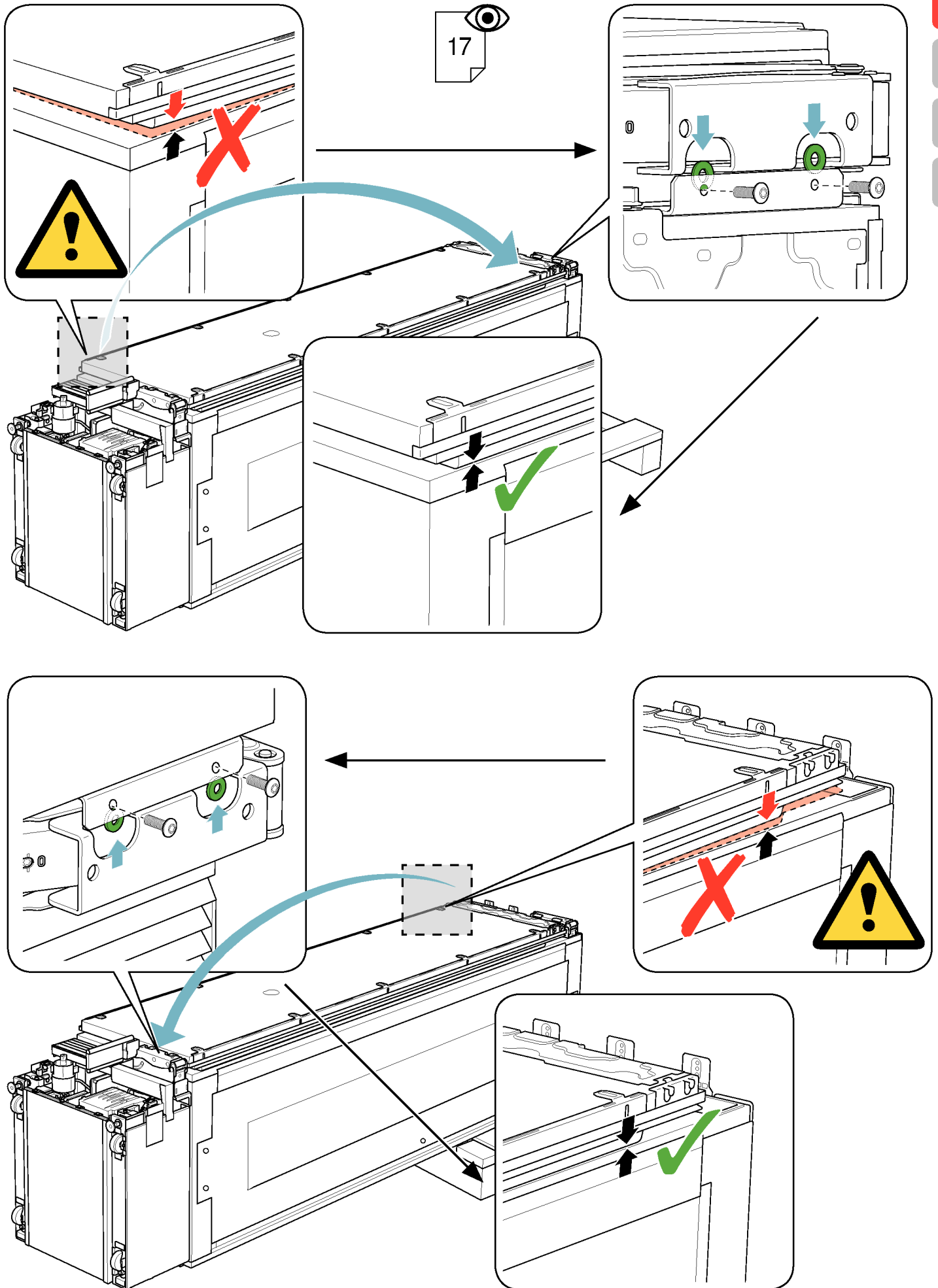


A
B
C
D

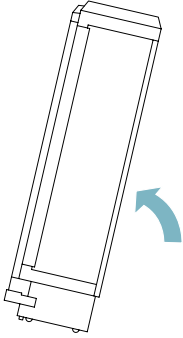
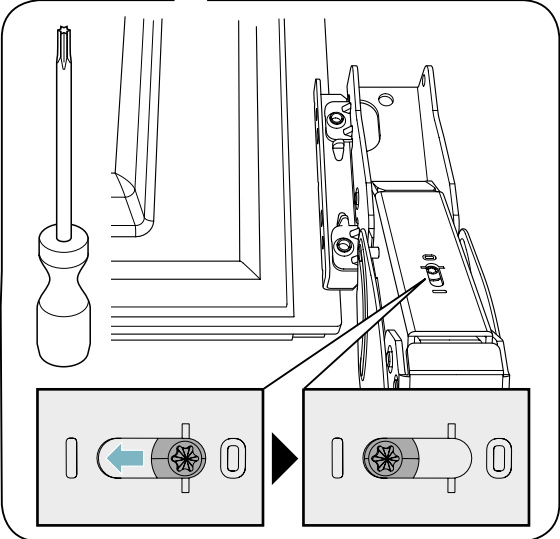
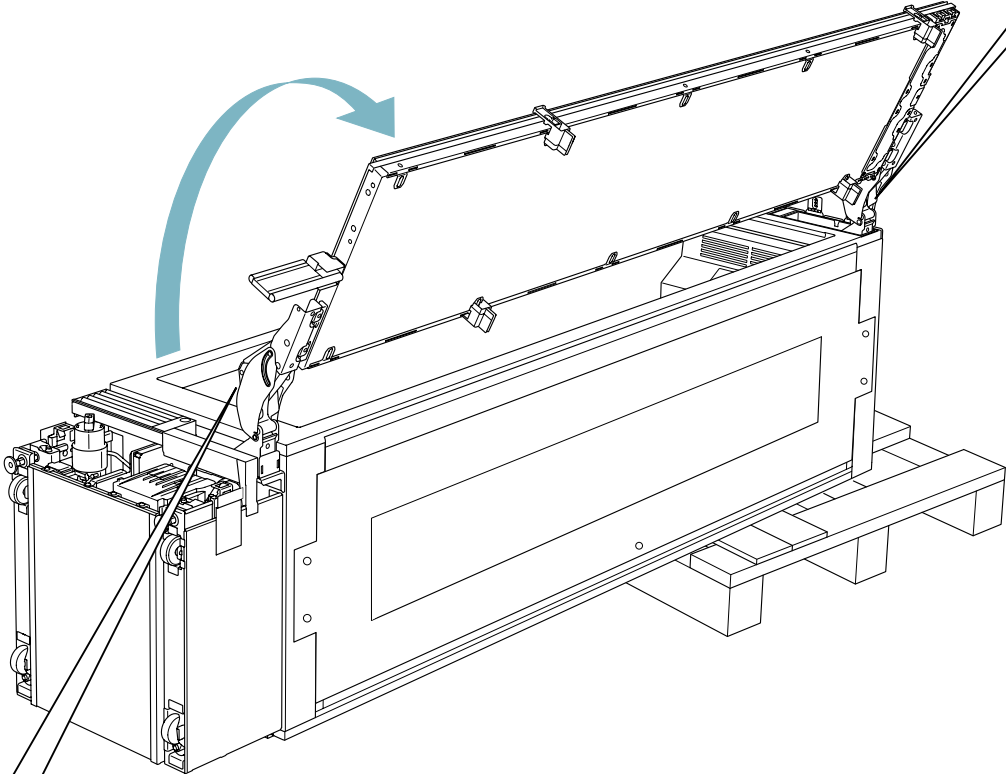
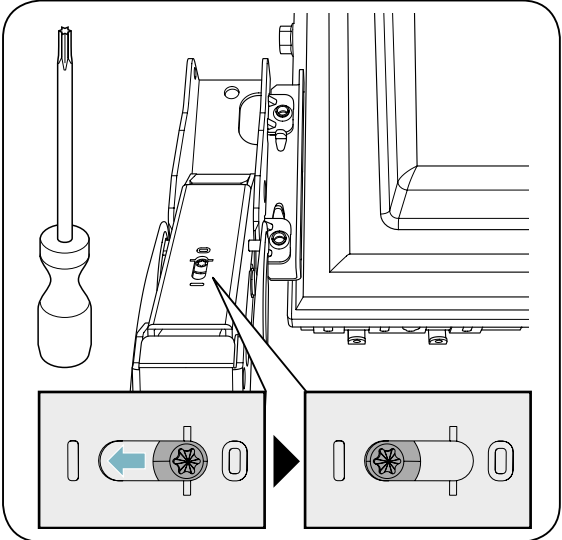


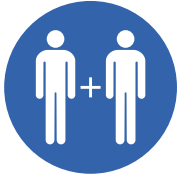
17



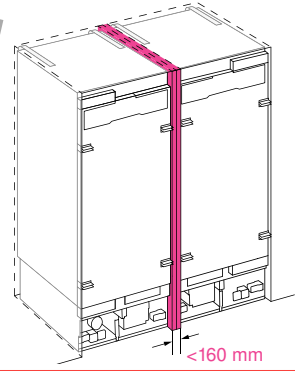
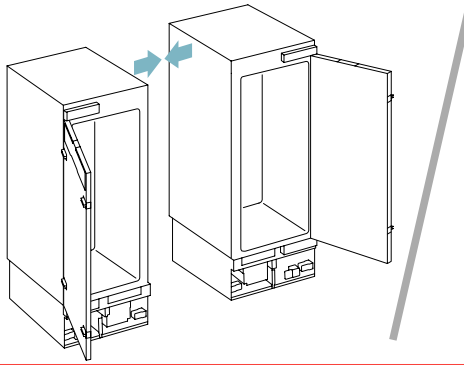


A
B
C
D



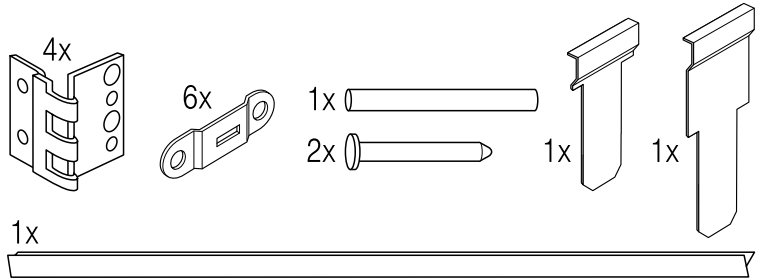
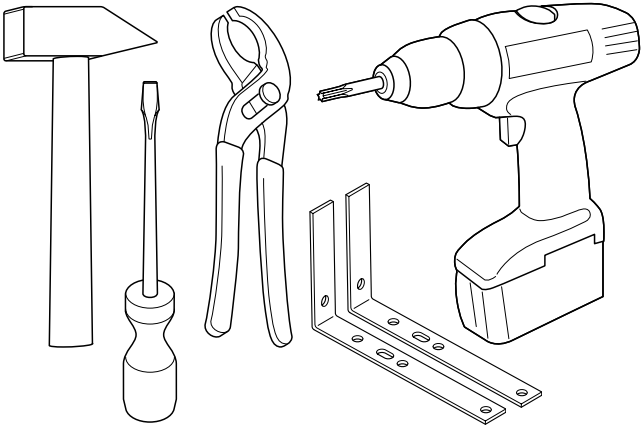




39

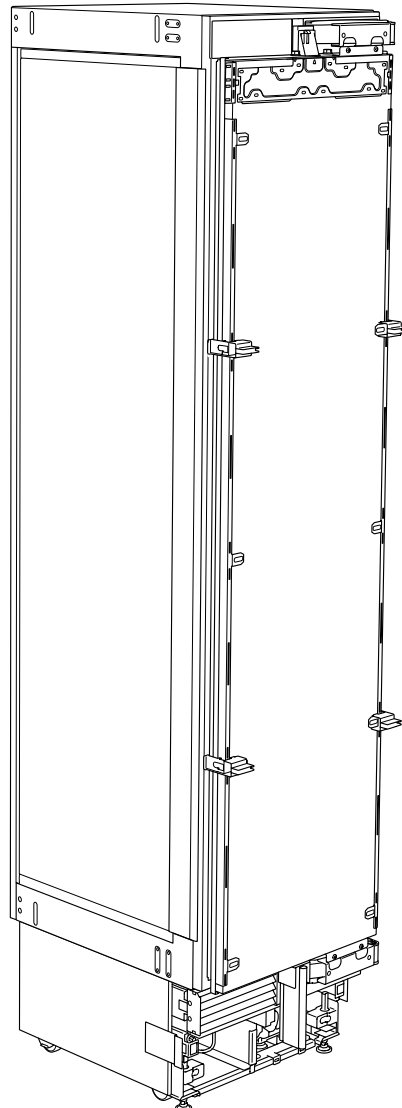
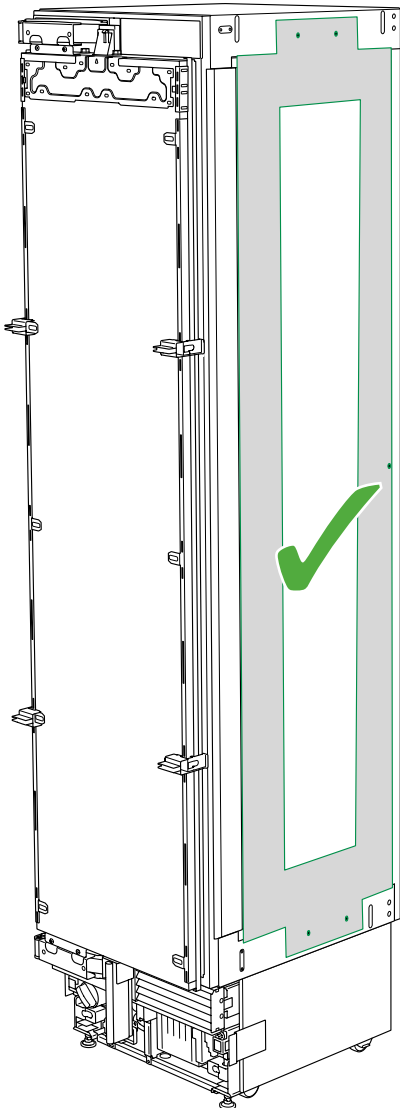


→45

A
B
C
D



M5x16   28x





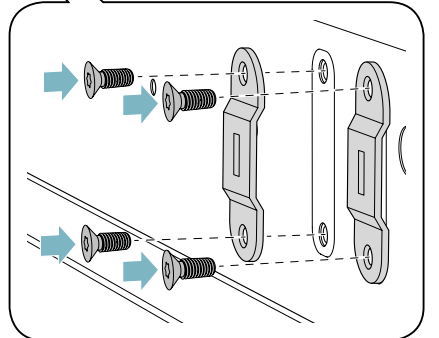
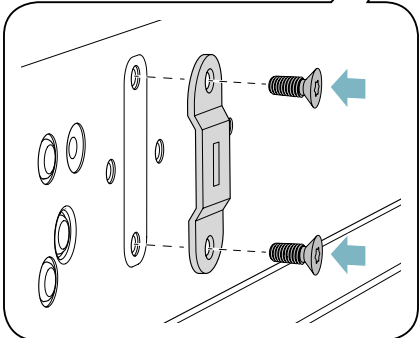
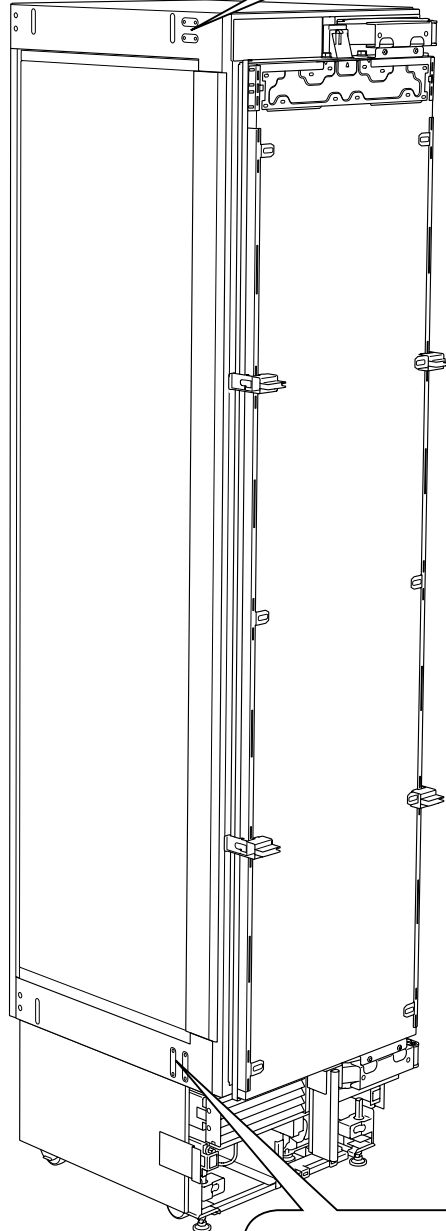
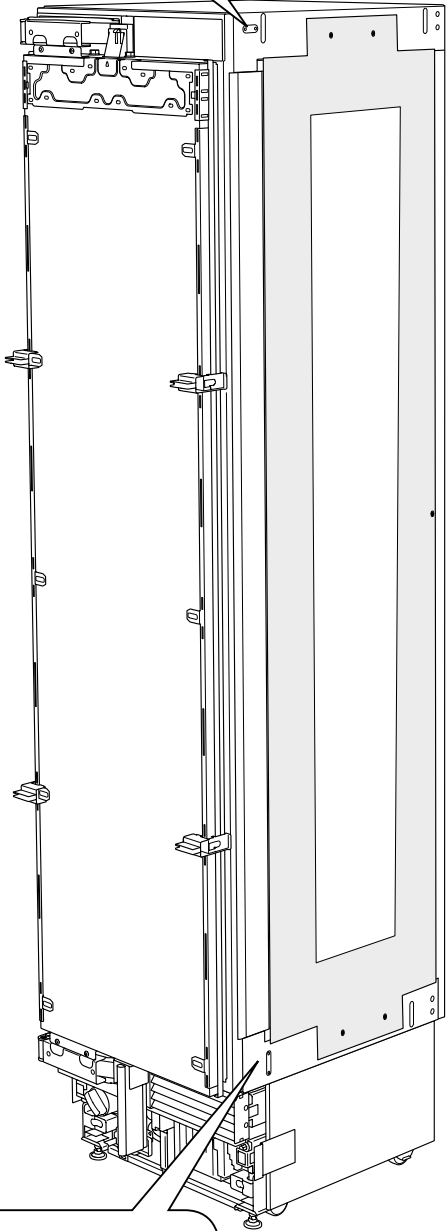
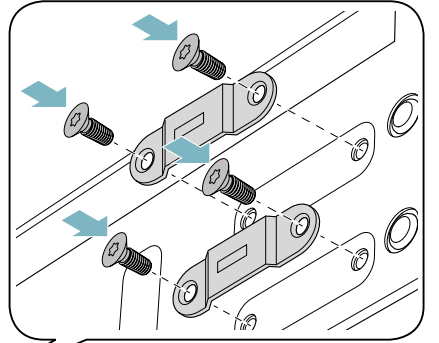
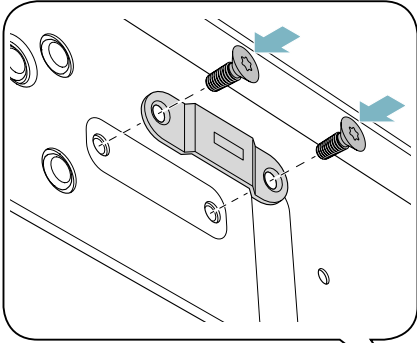
A



B

C

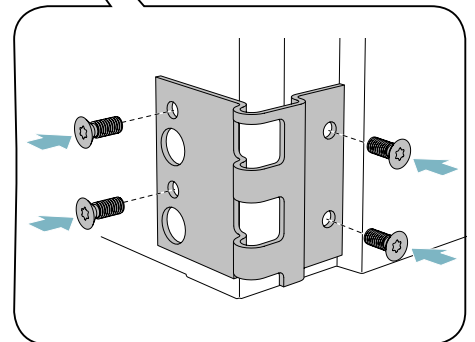
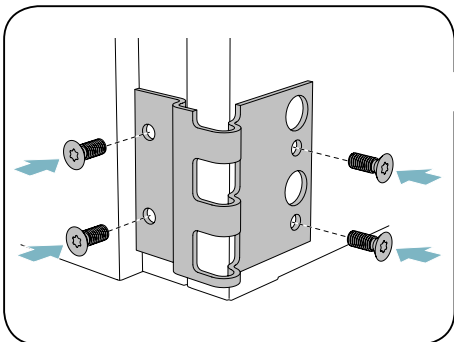
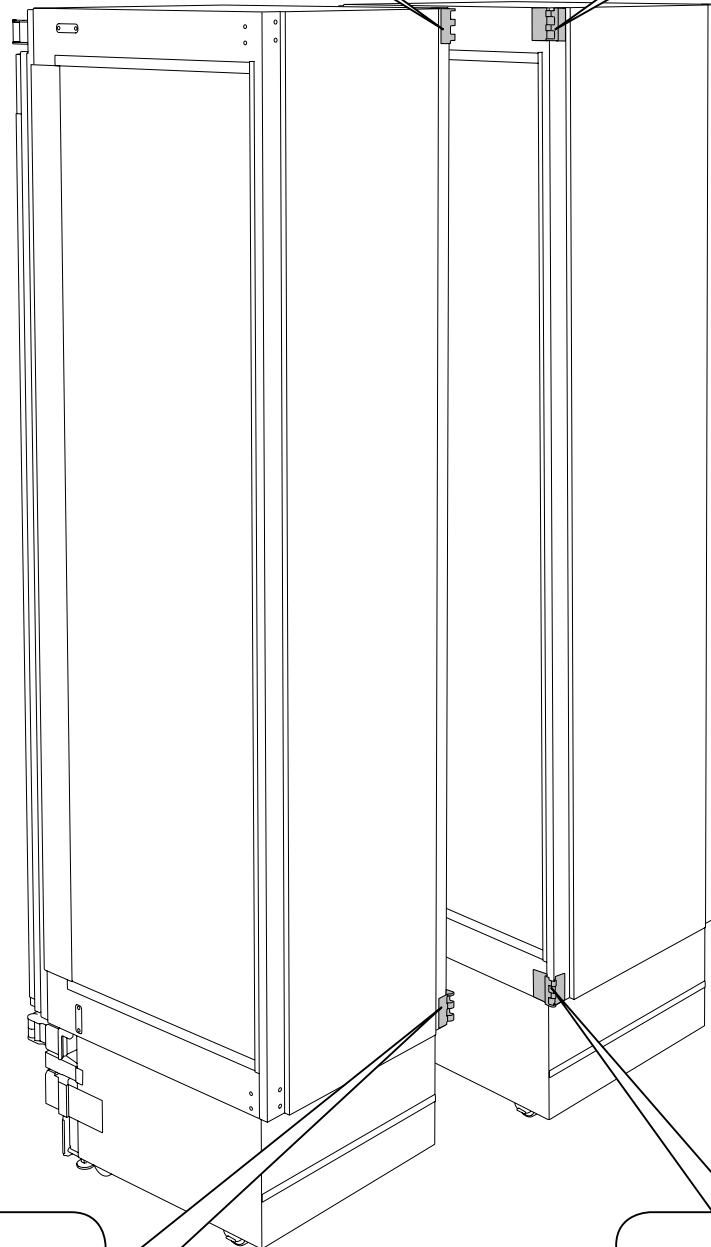
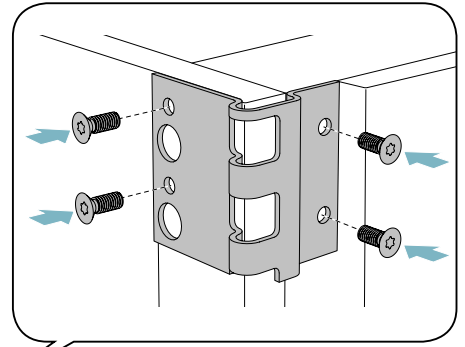
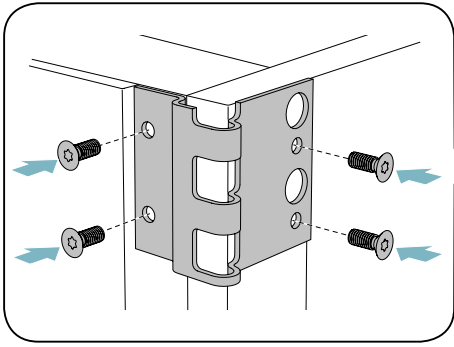
D

M5x16   12x



M5x16   16x

A
B
C
D

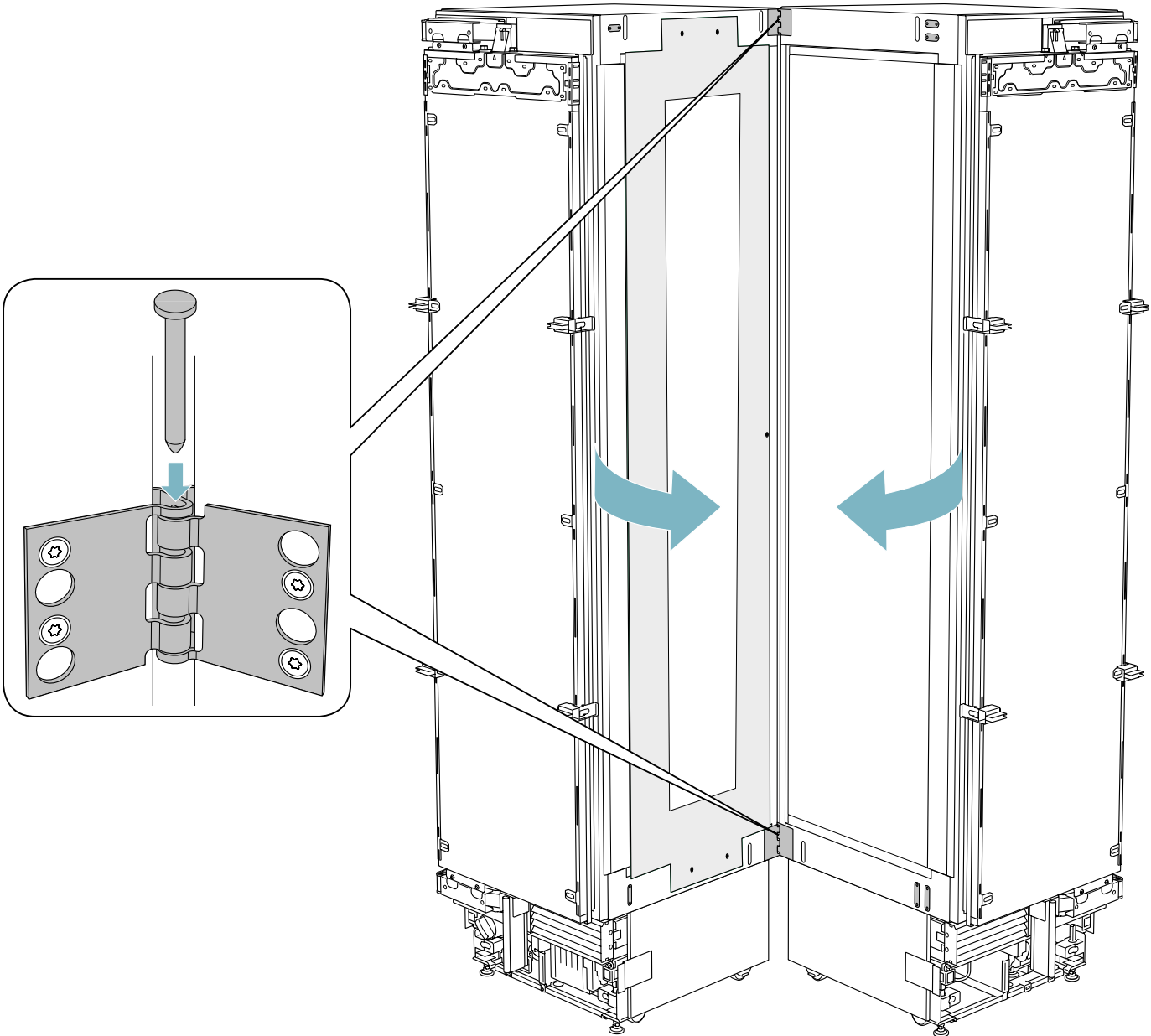


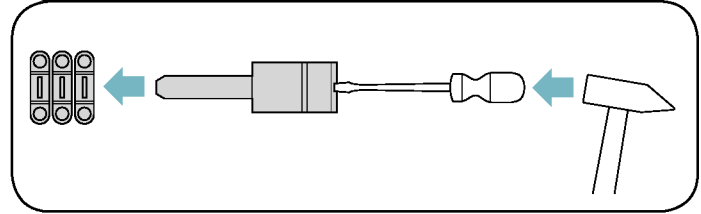
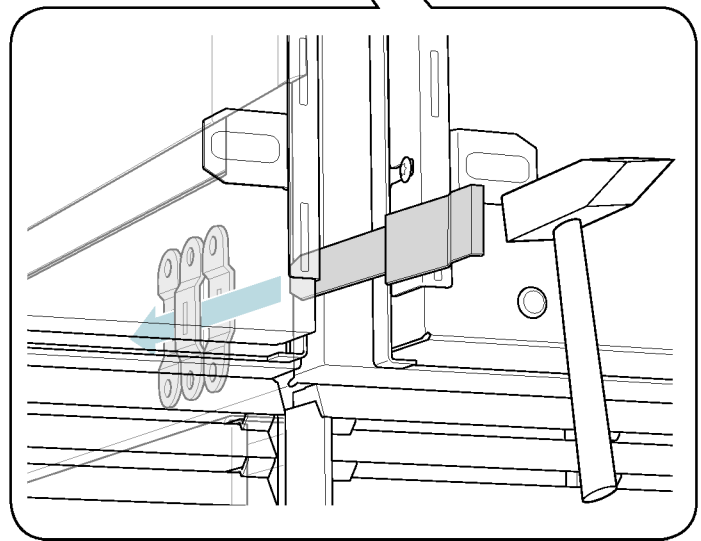
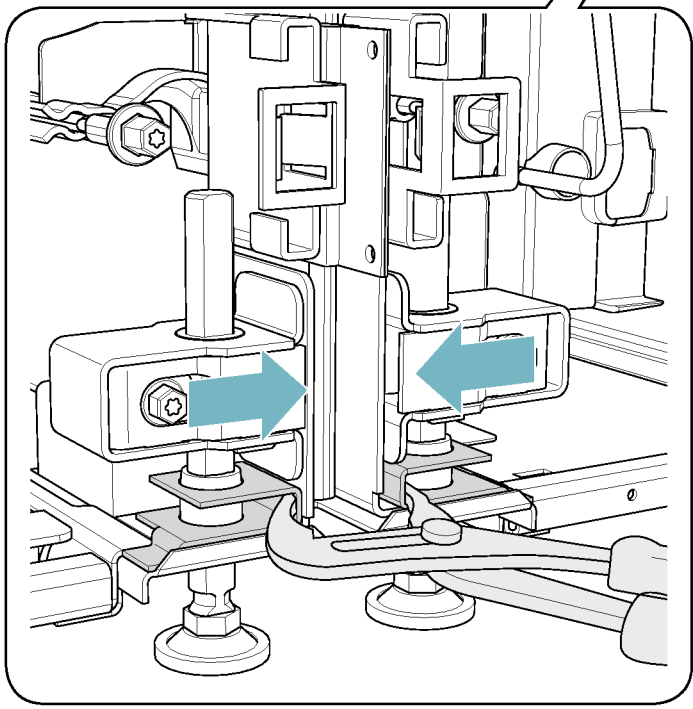
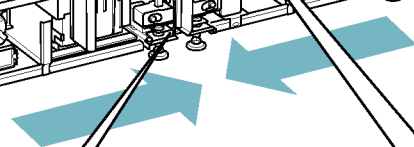
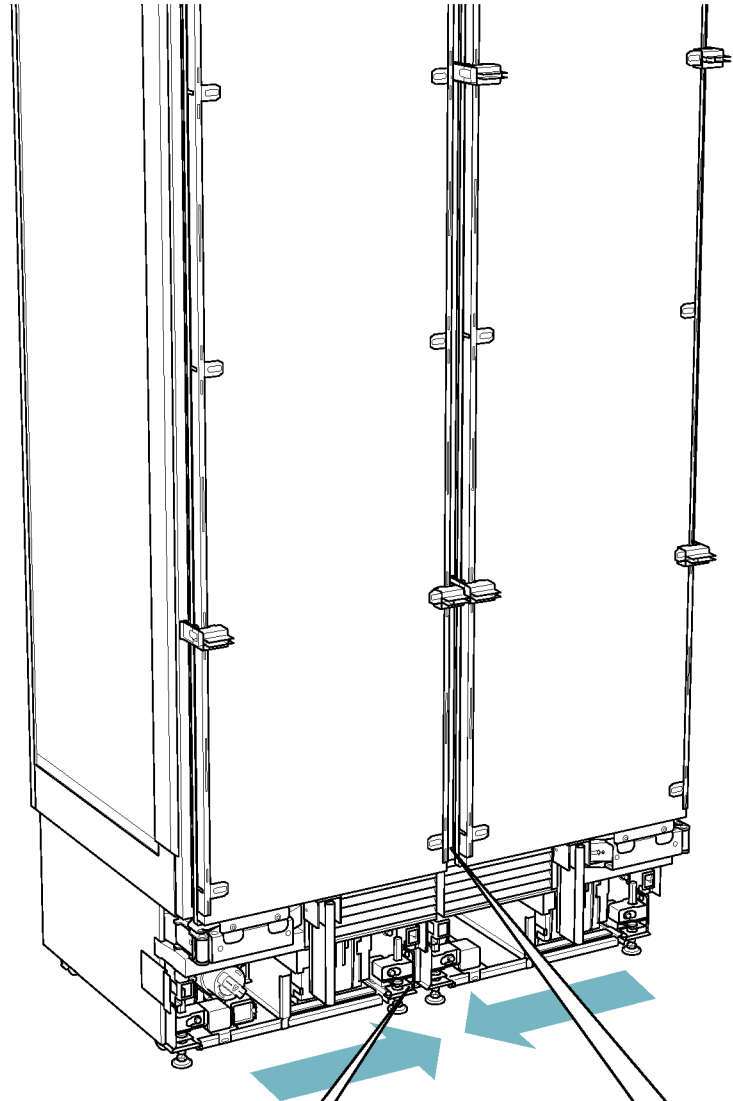
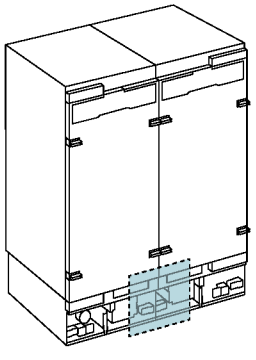
A

B

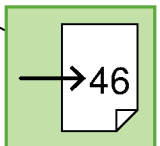
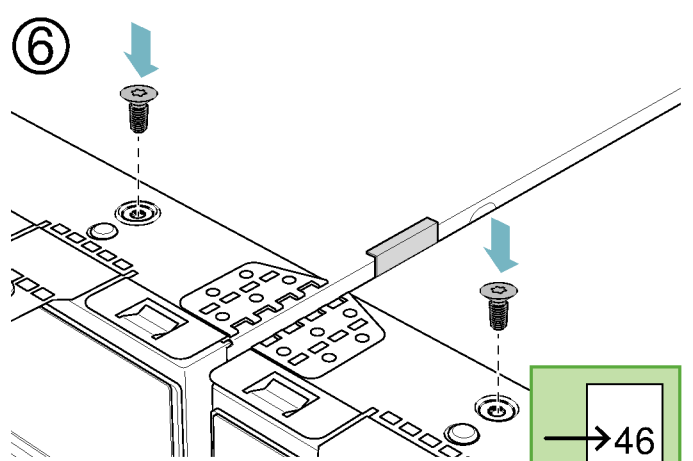
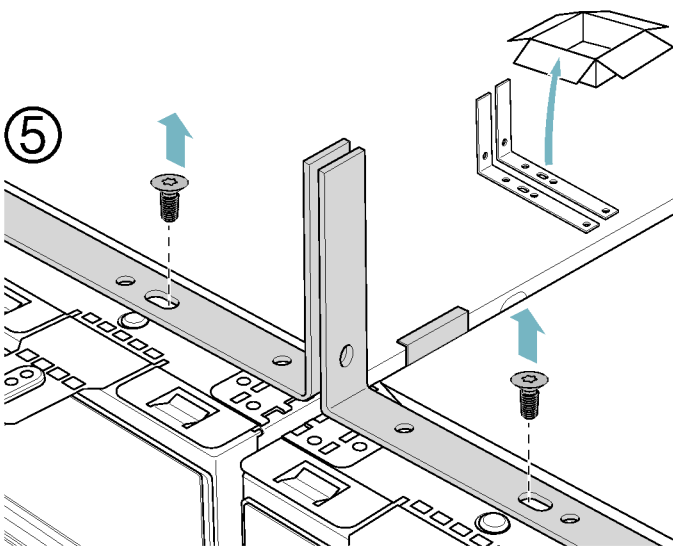
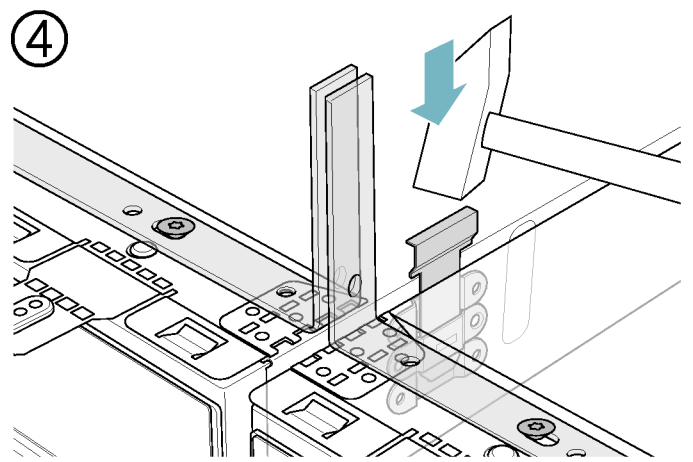
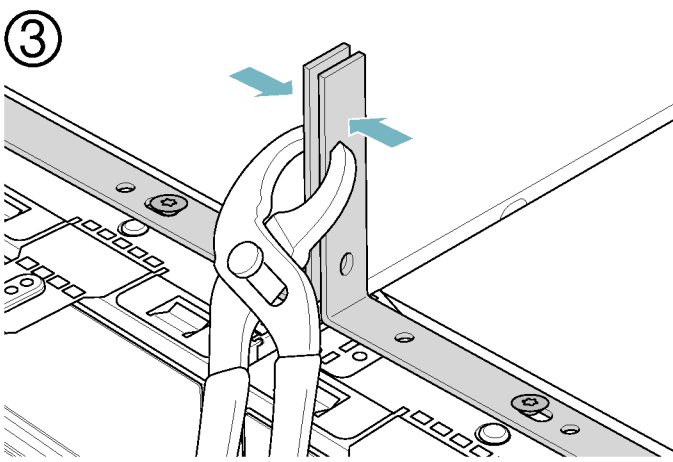
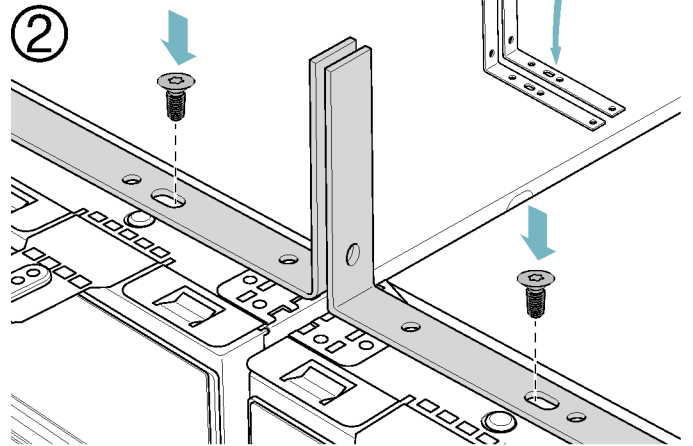
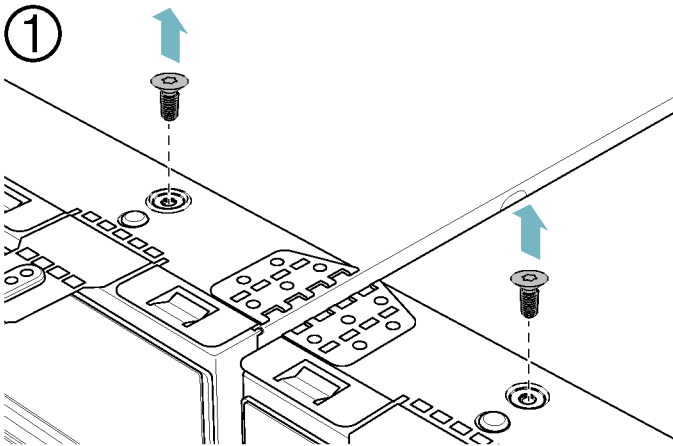
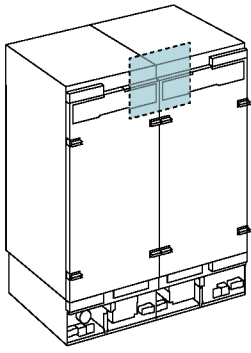
C

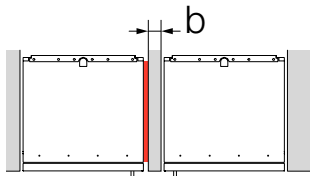
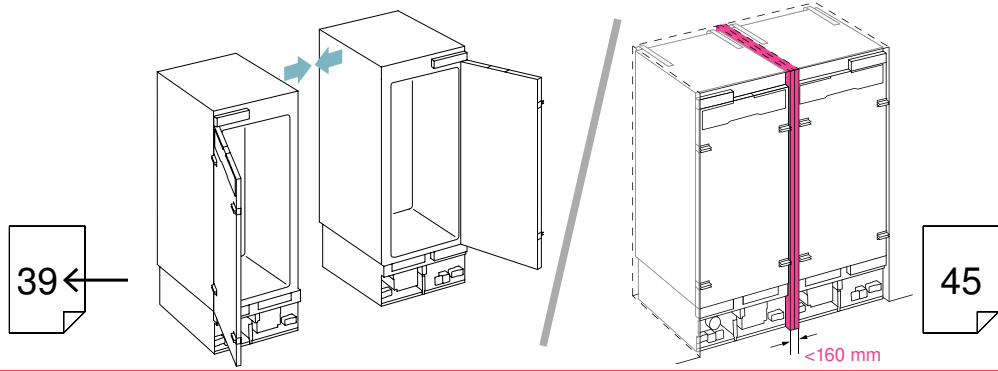
D



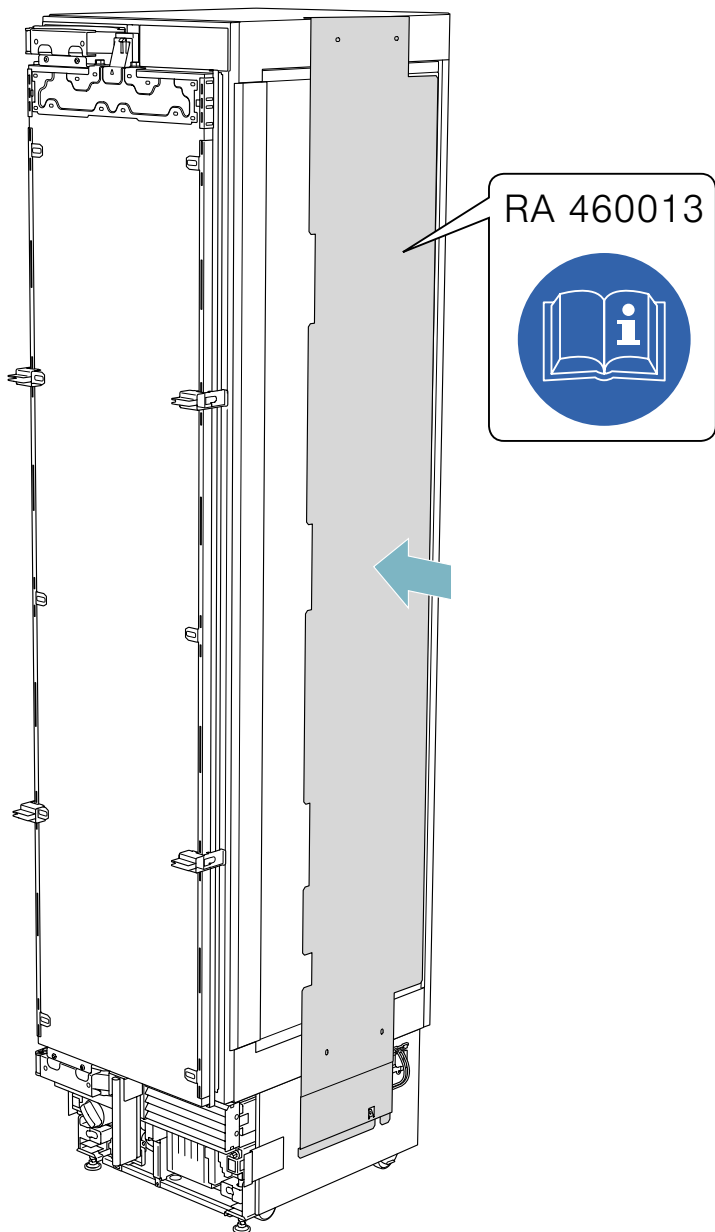
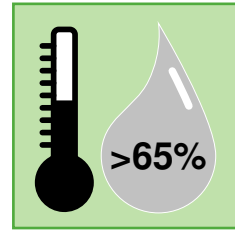


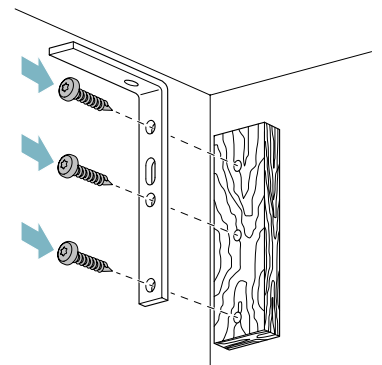
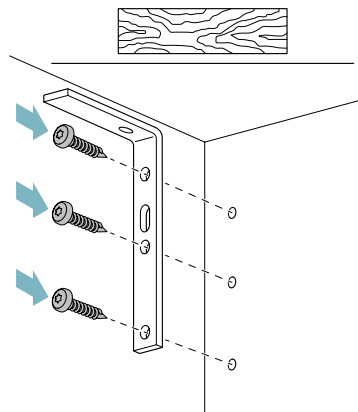
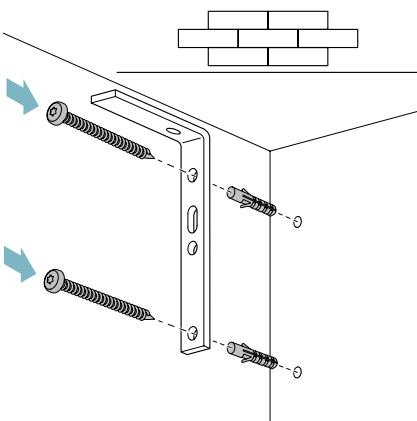
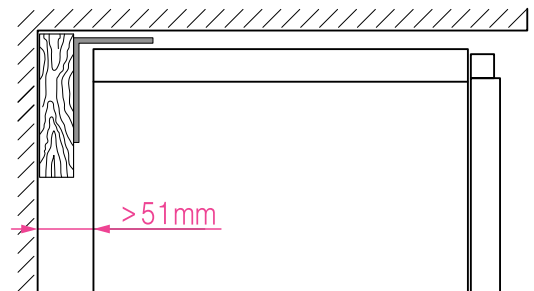
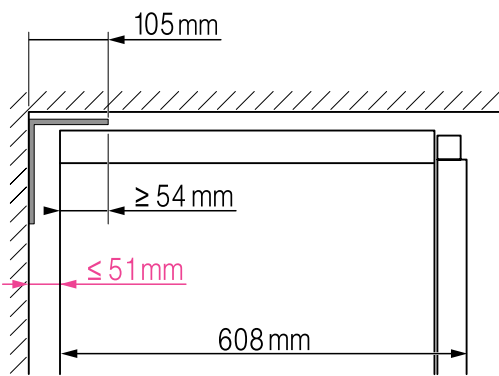
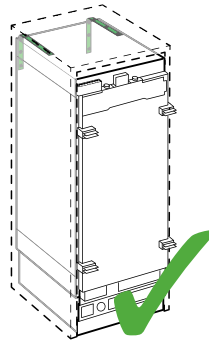
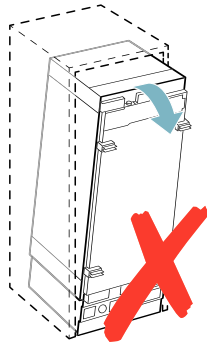
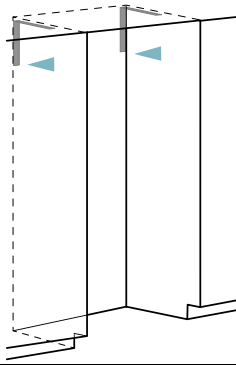
A
B
C
D





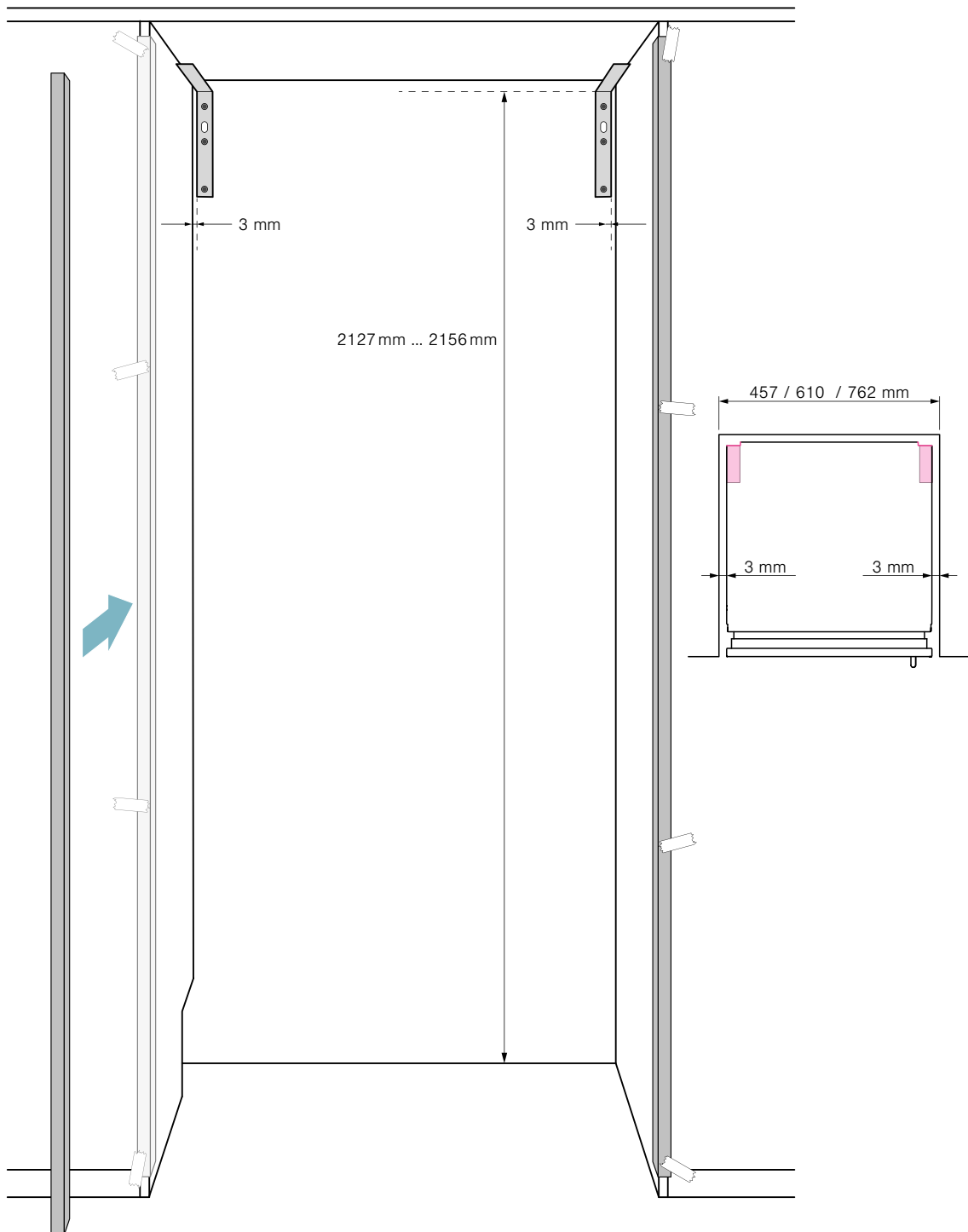
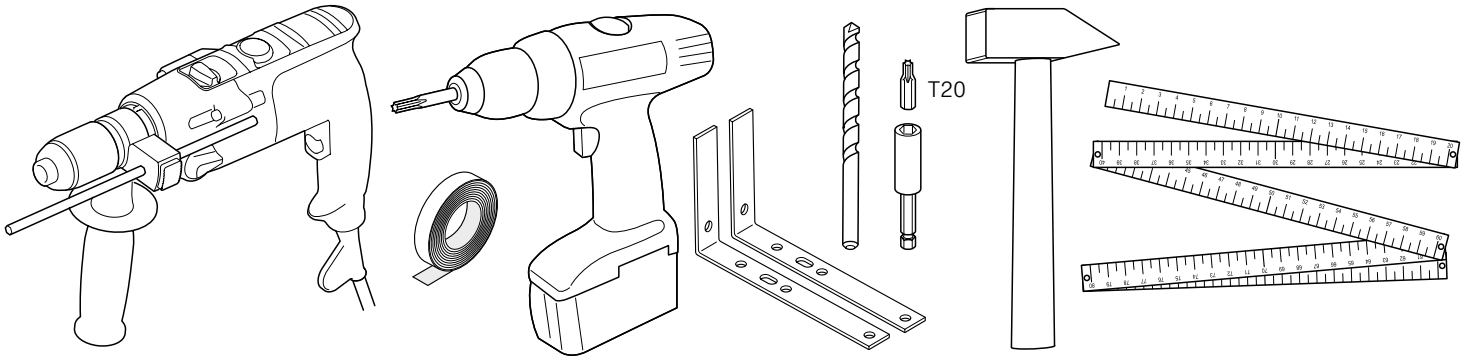
$16 \text{ mm} \leq b < 160 \text{ mm}$



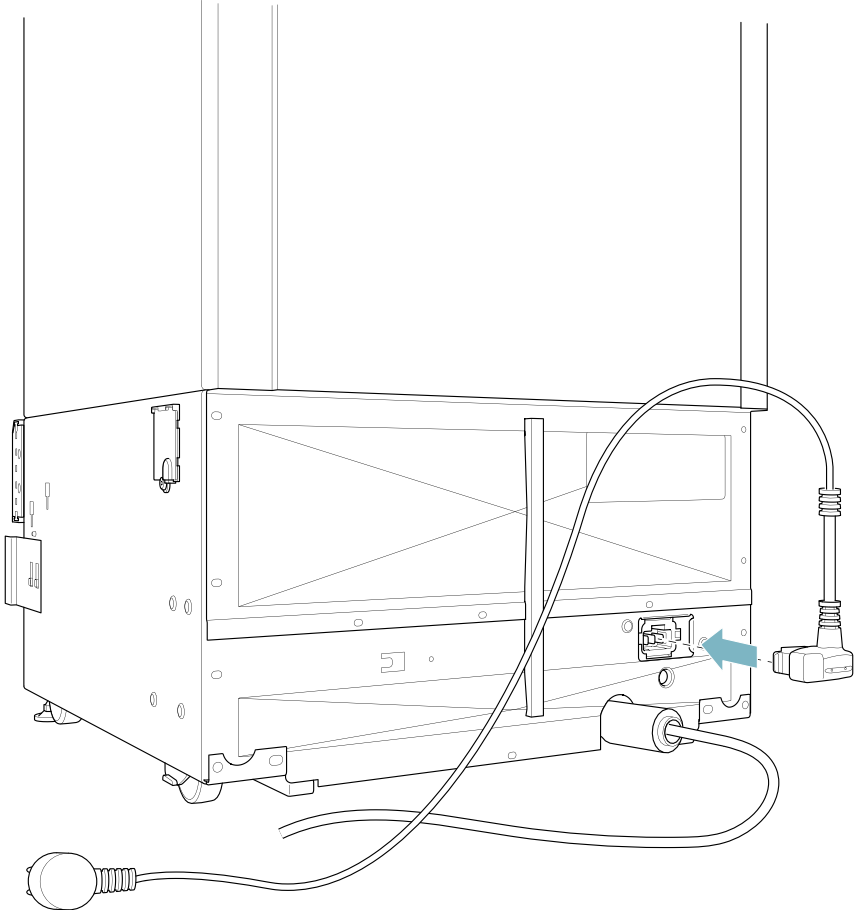
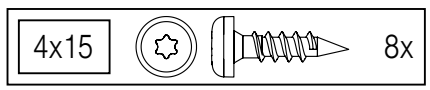
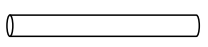
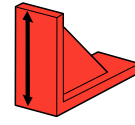
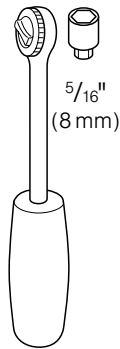
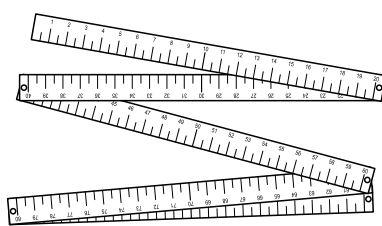
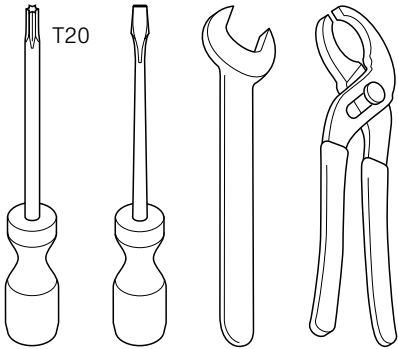
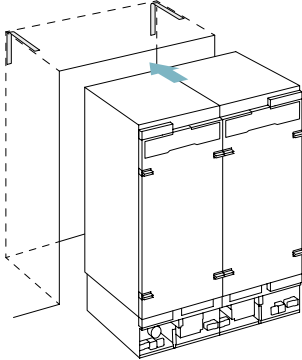
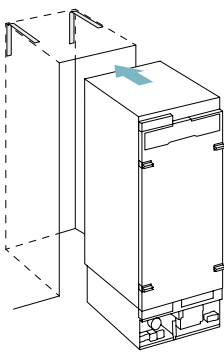
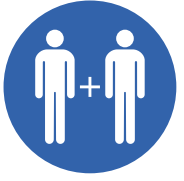


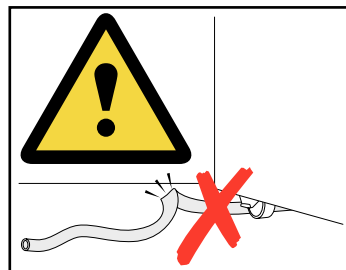
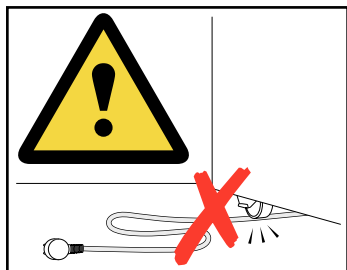
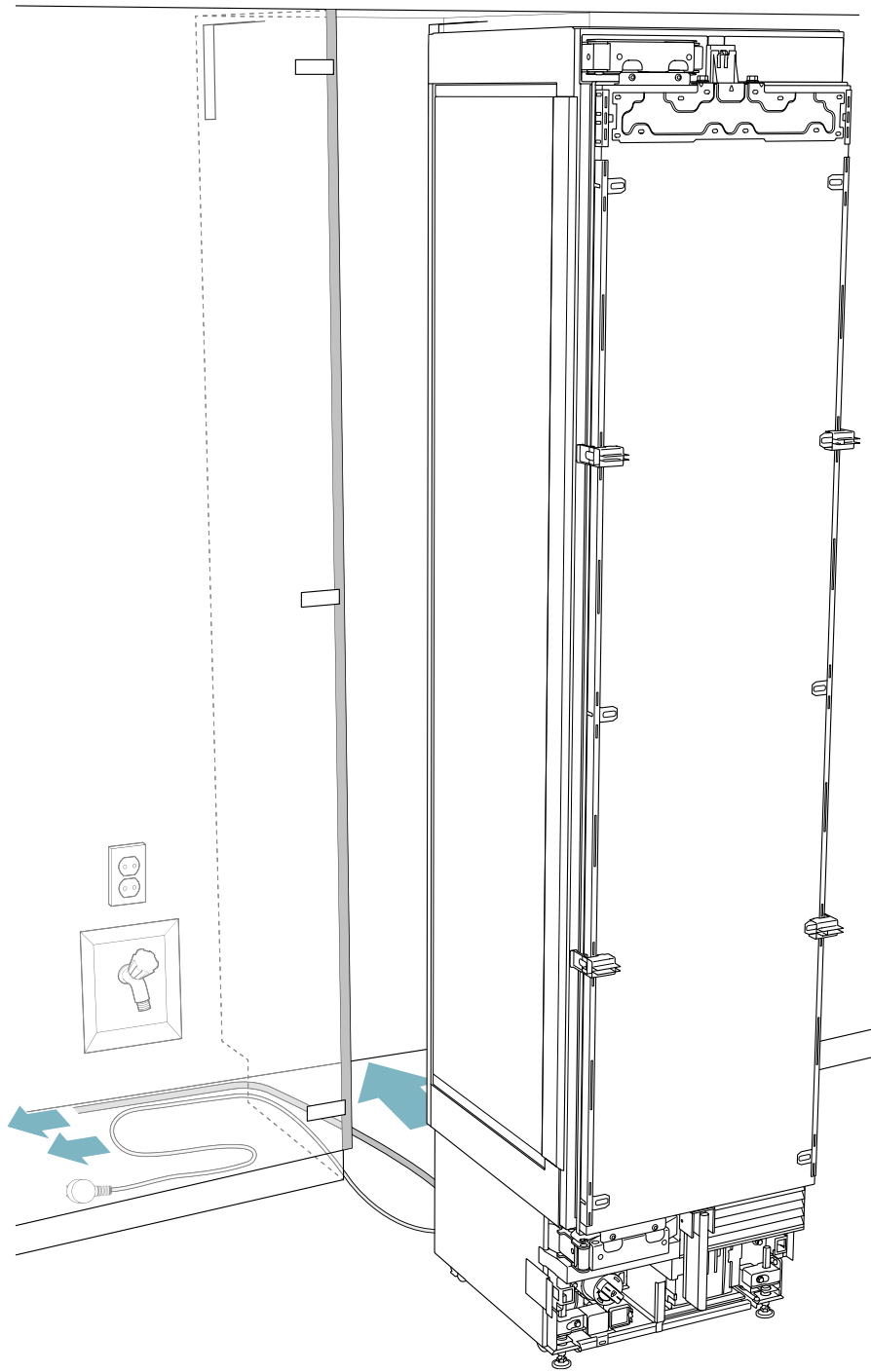
5x60			4x
6x31			4x
		$\varnothing 6$	> 61 mm

4x15			6x
------	--	--	----

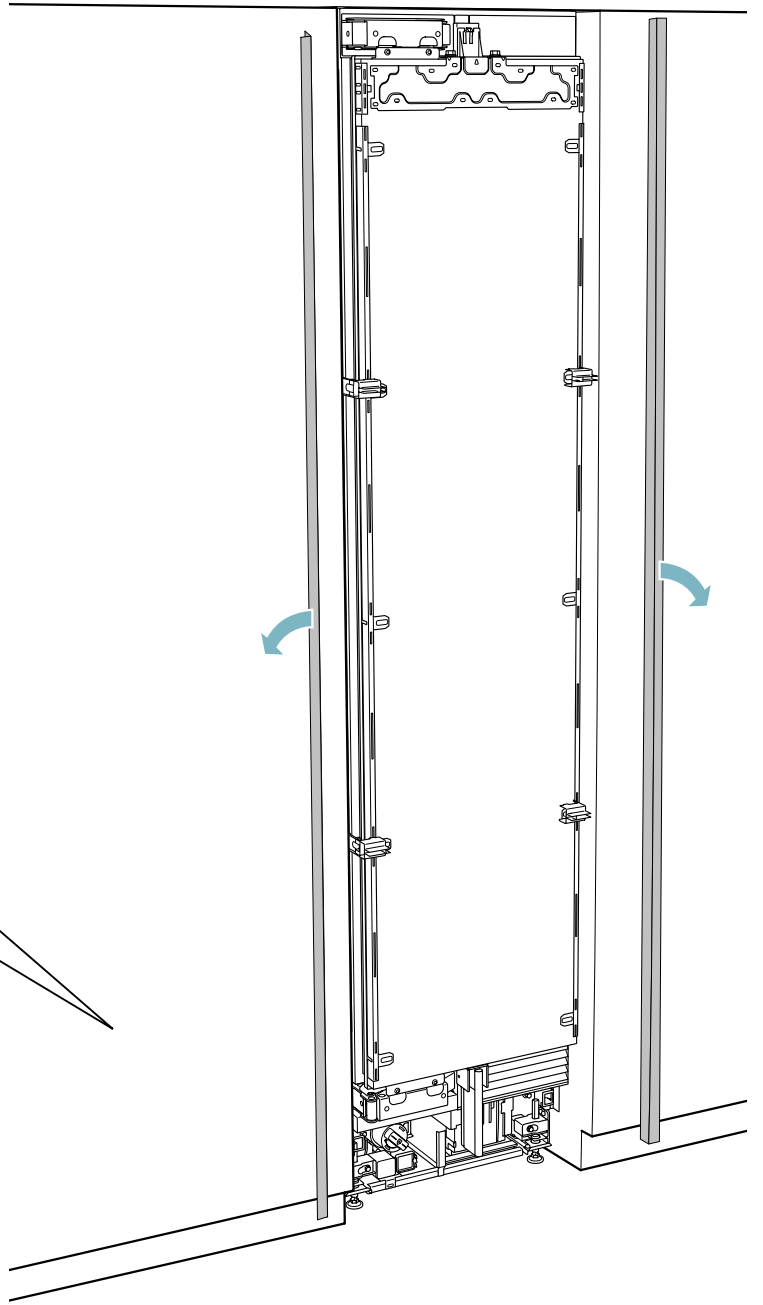
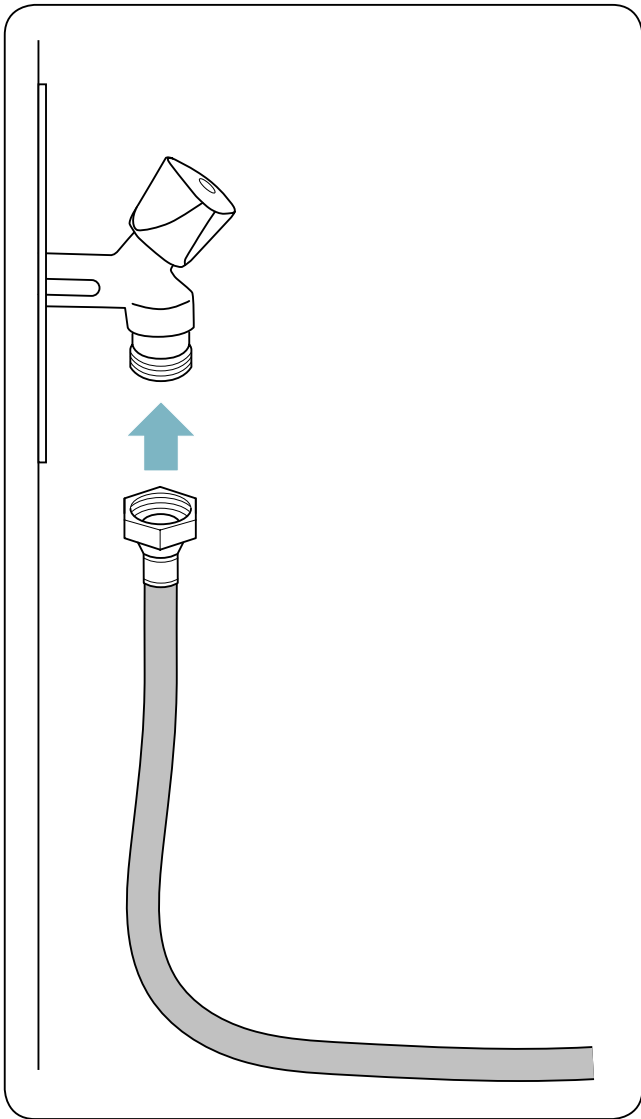


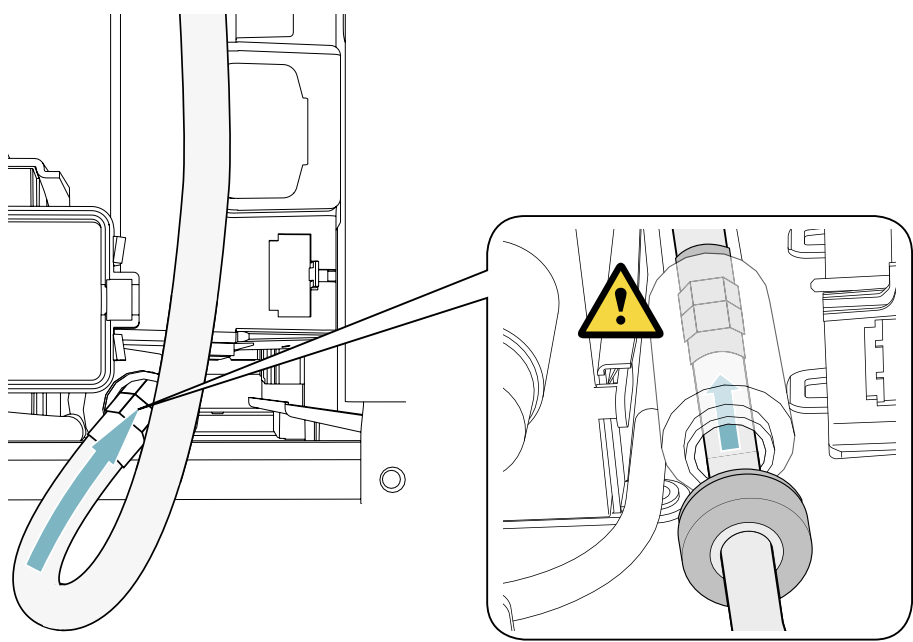
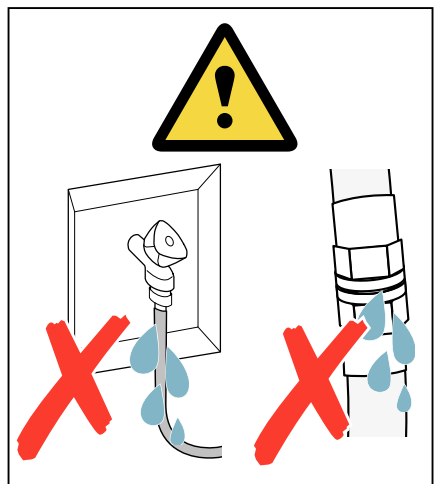
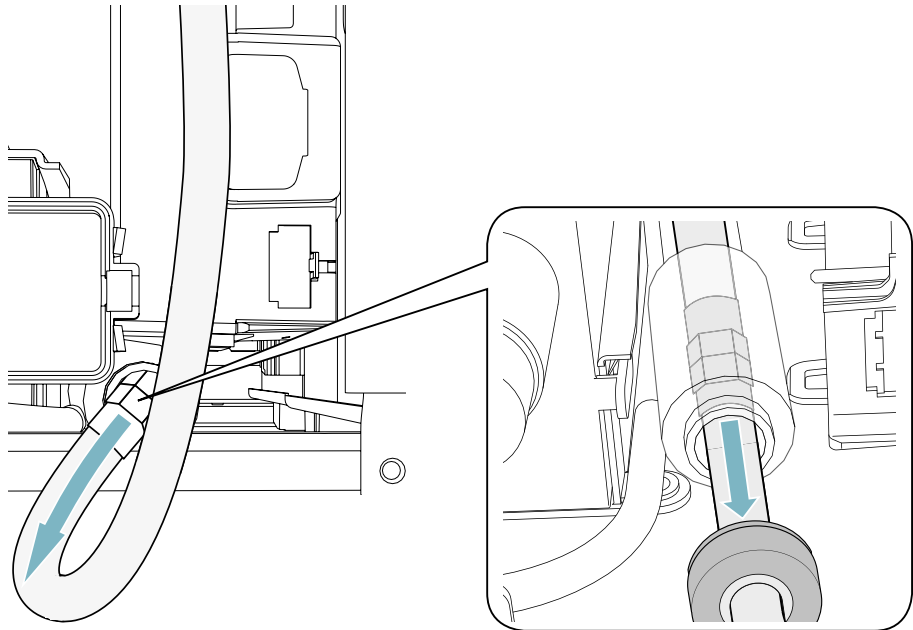
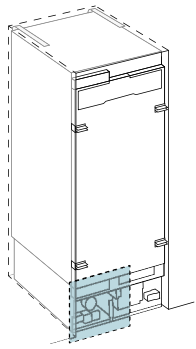
A
B
C
D



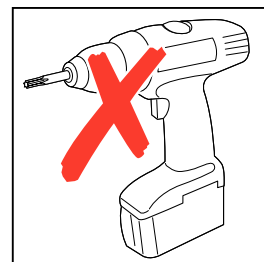
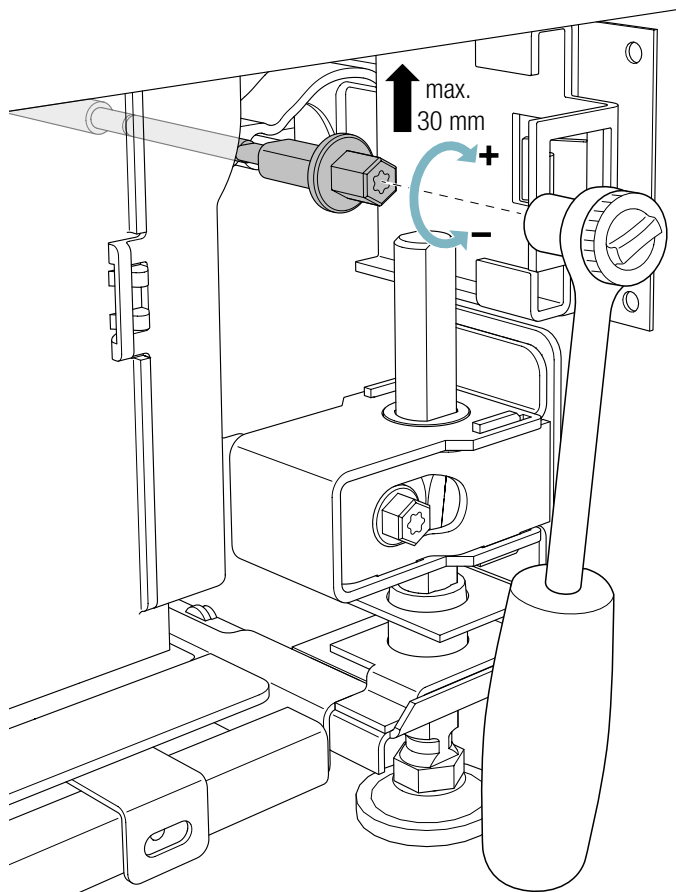
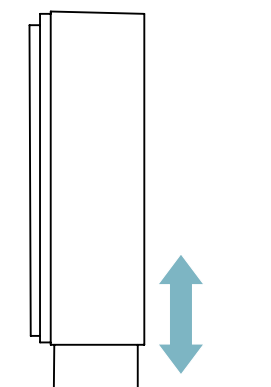
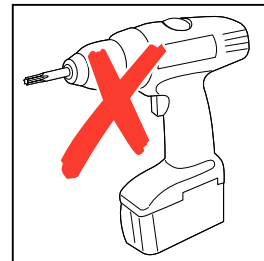
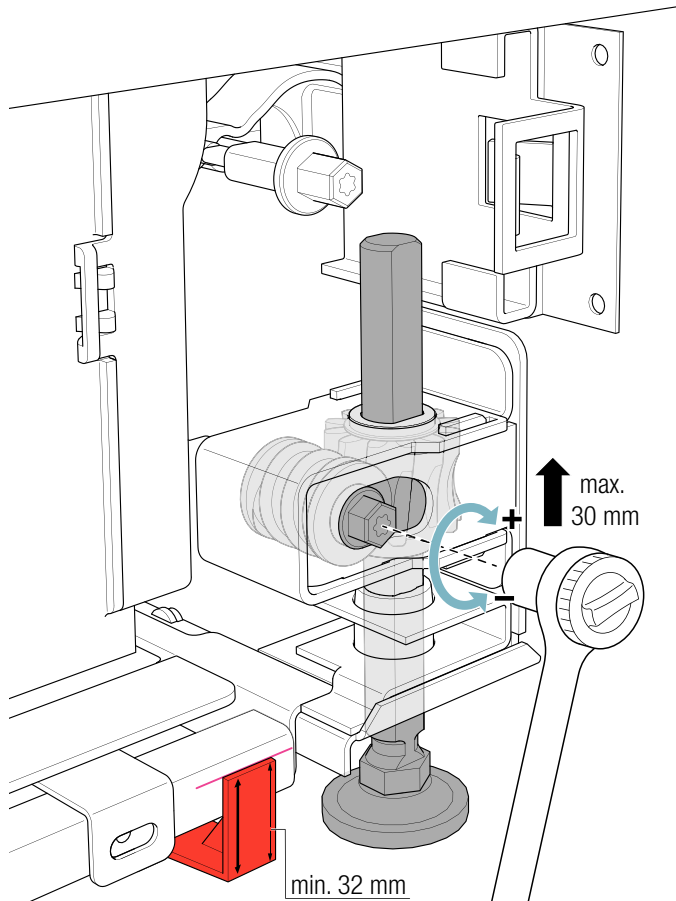
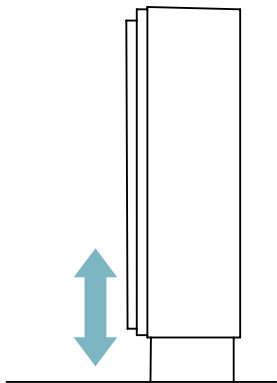
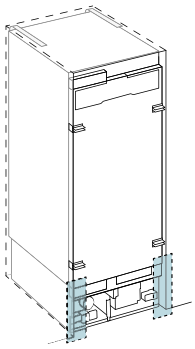


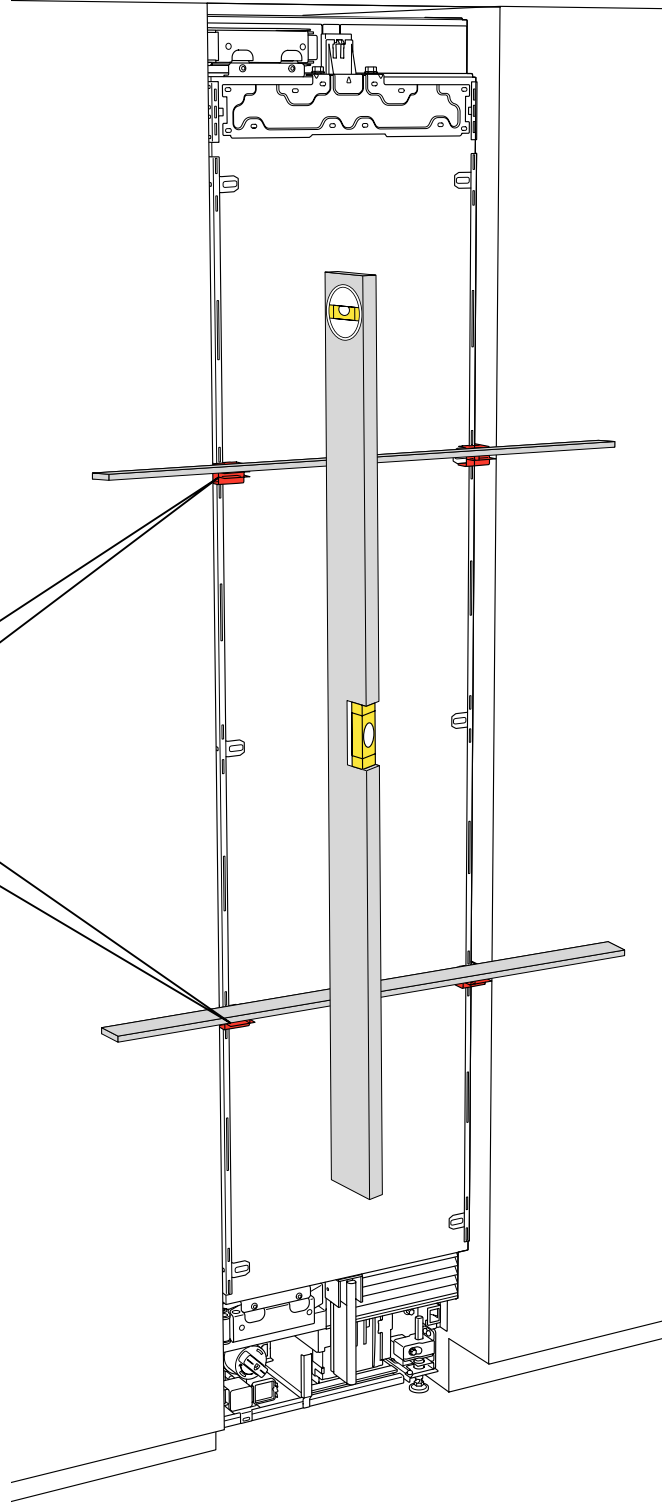
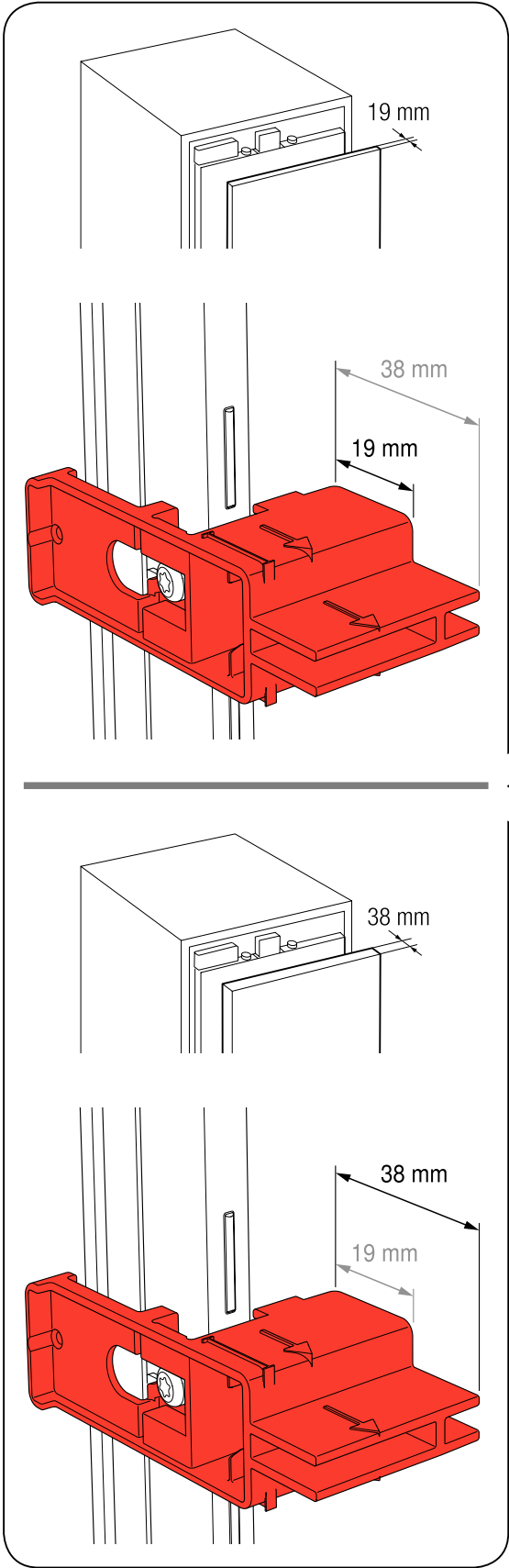
- A
- B**
- C
- D




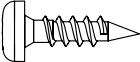


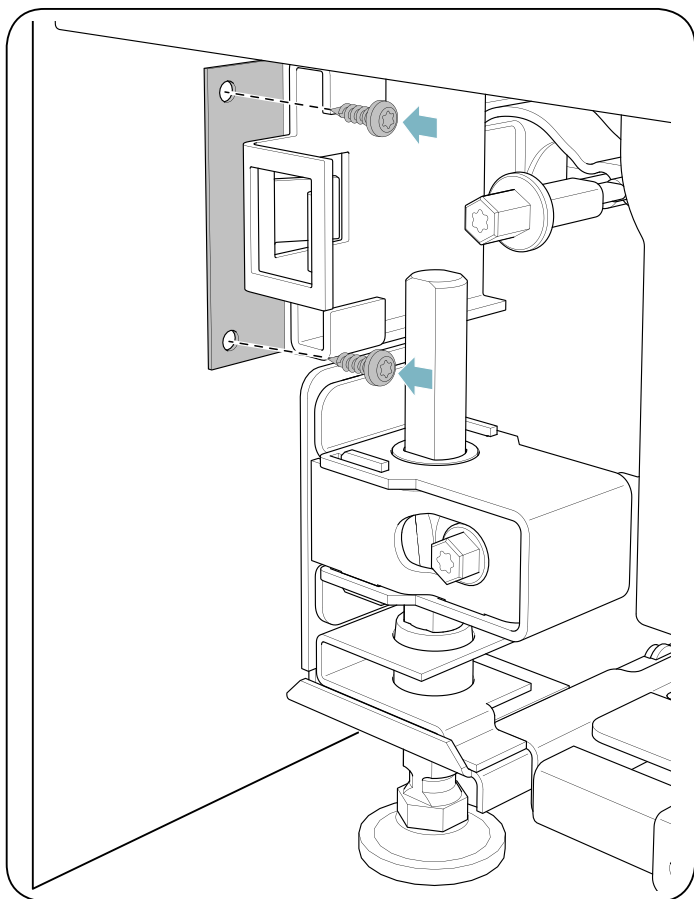
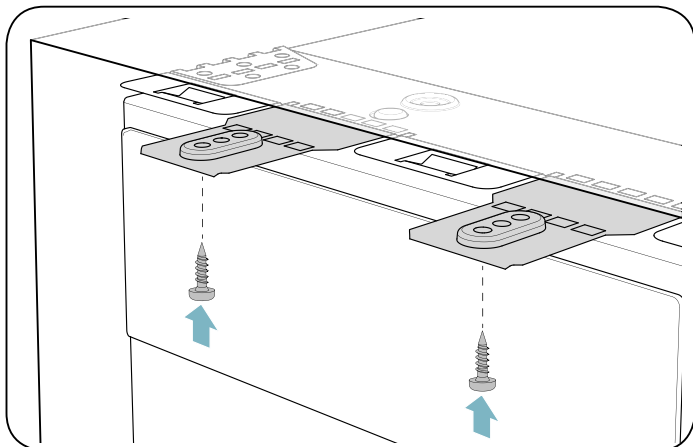
- A
- B
- C
- D



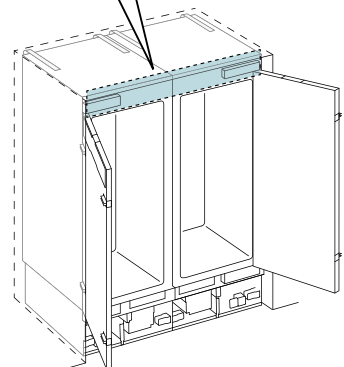
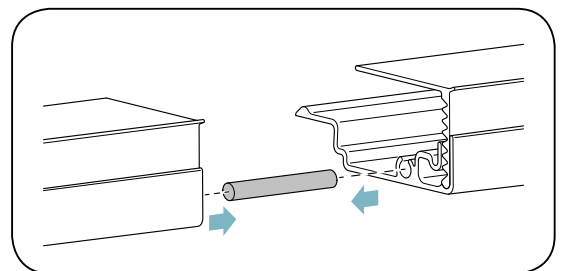
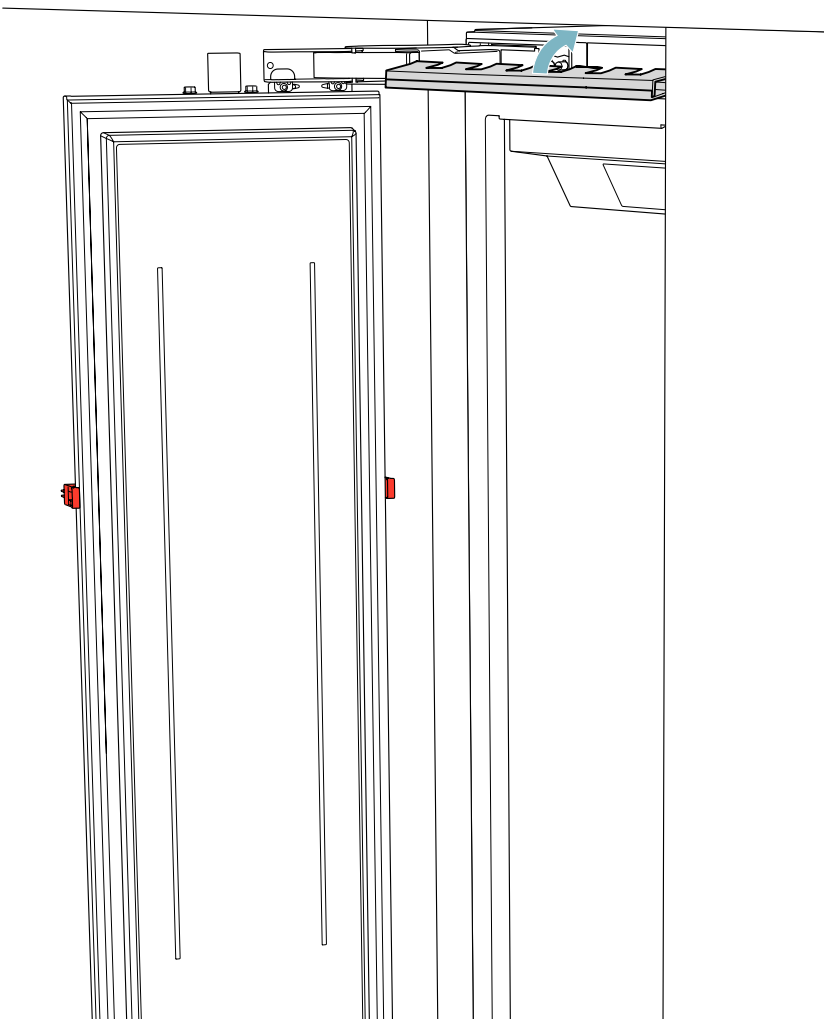
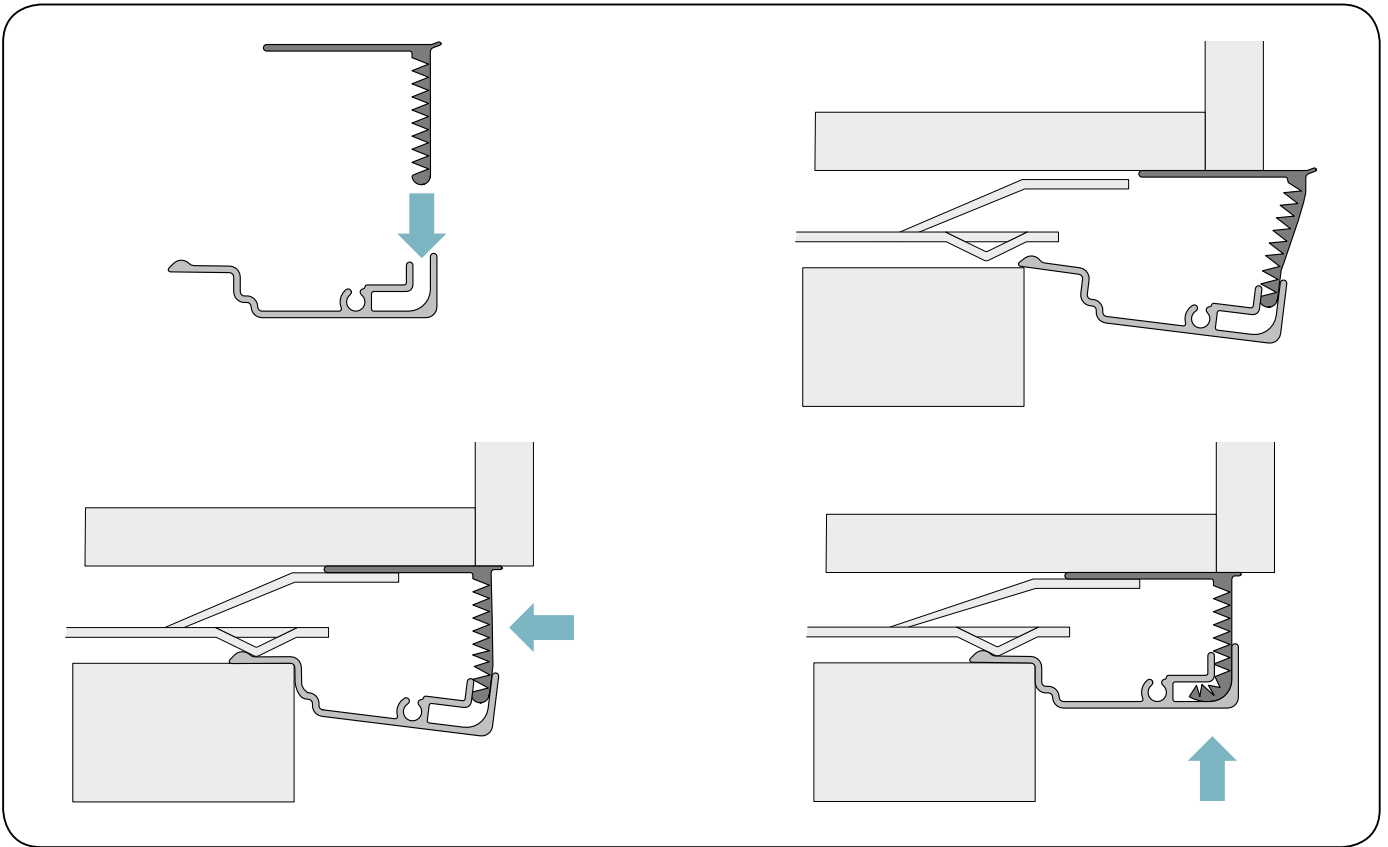


A
B
C
D

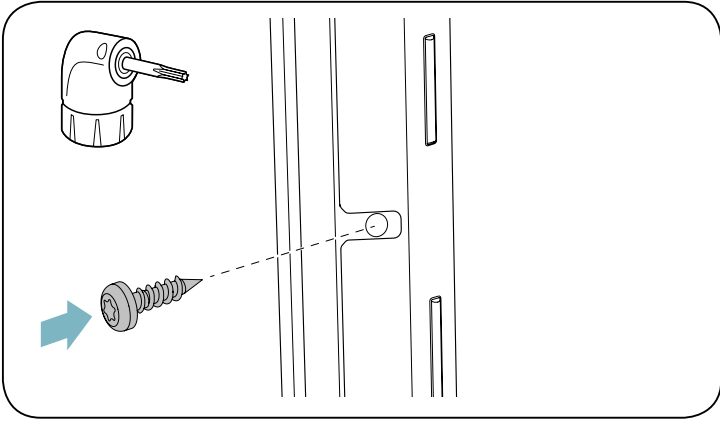
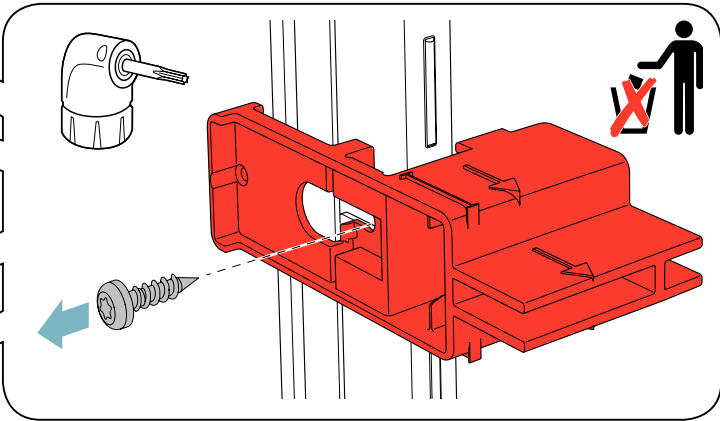
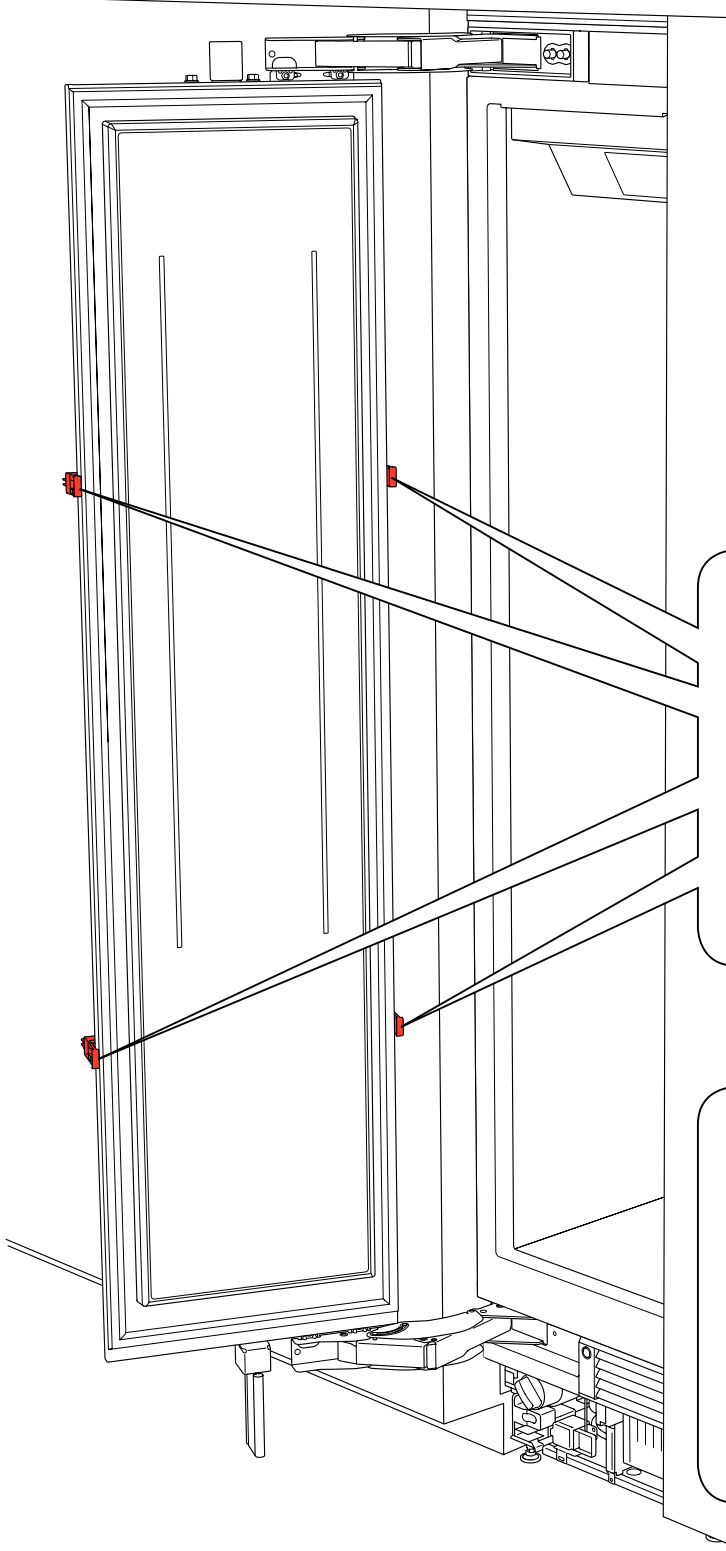
4x15   8x

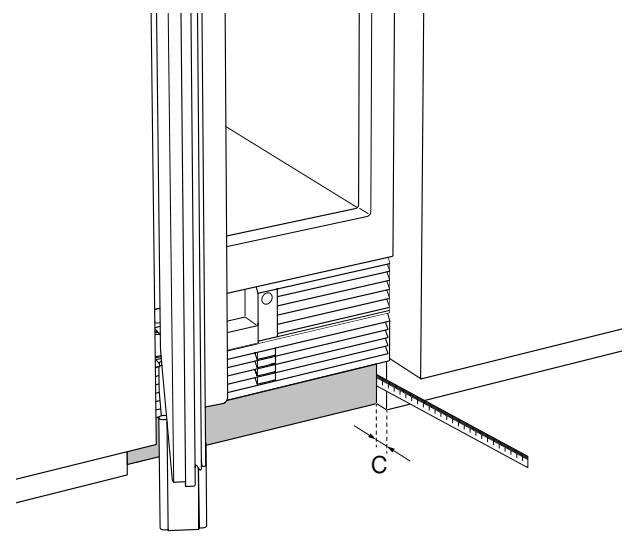
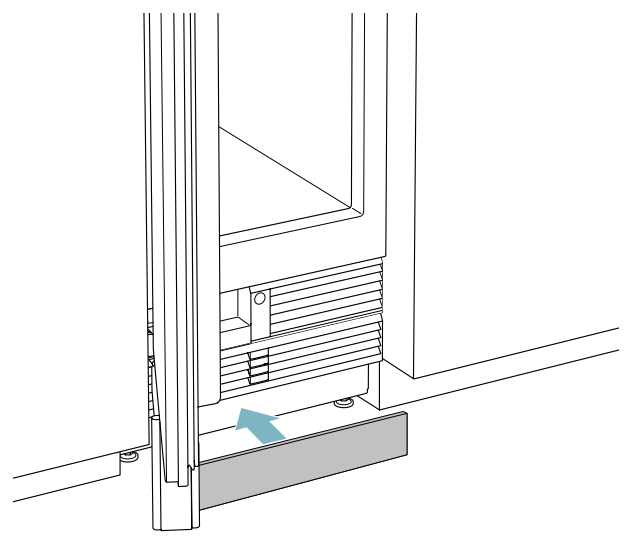
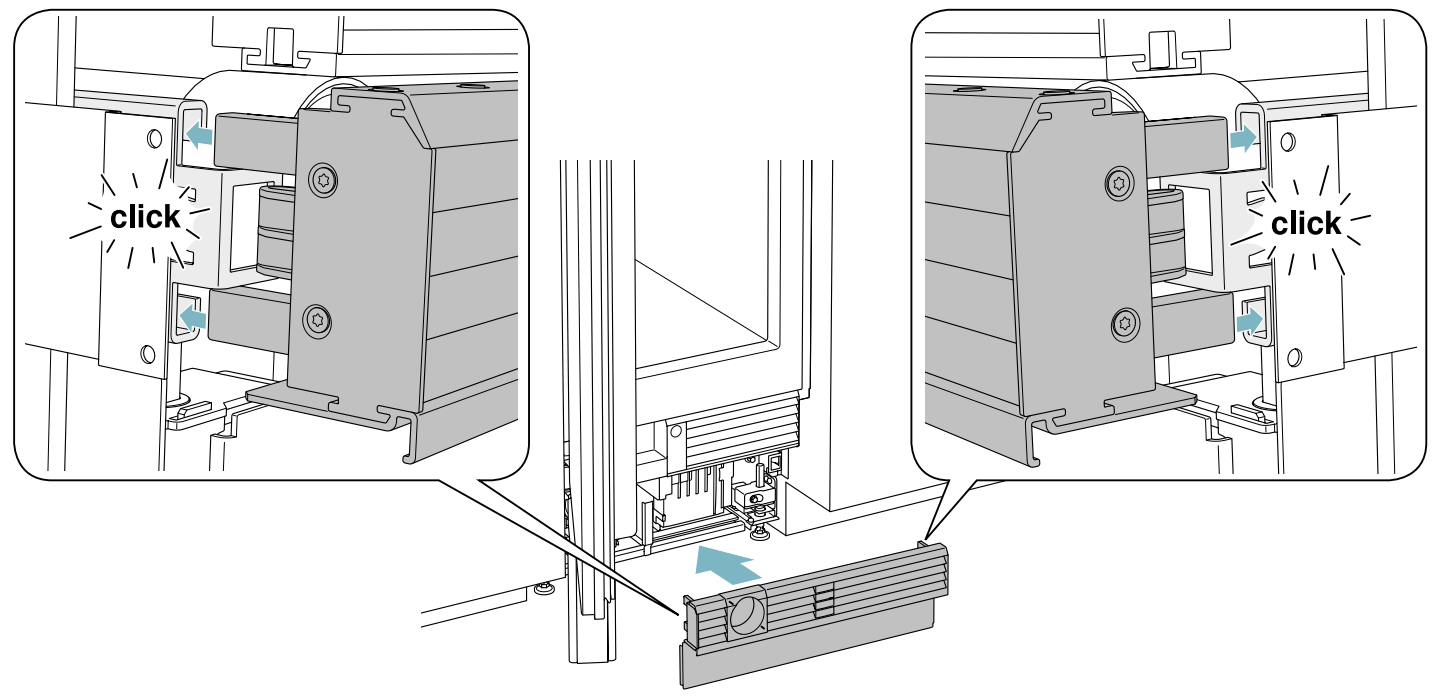
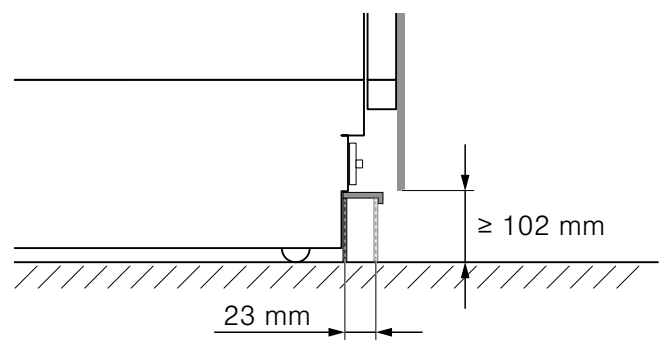
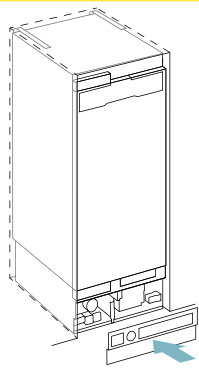


A
B
C
D

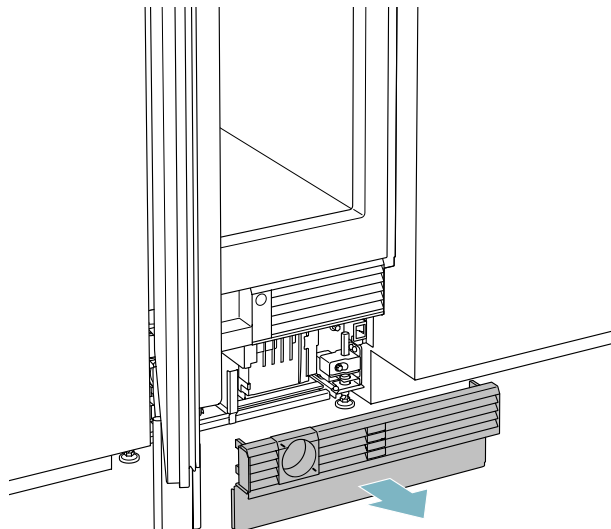
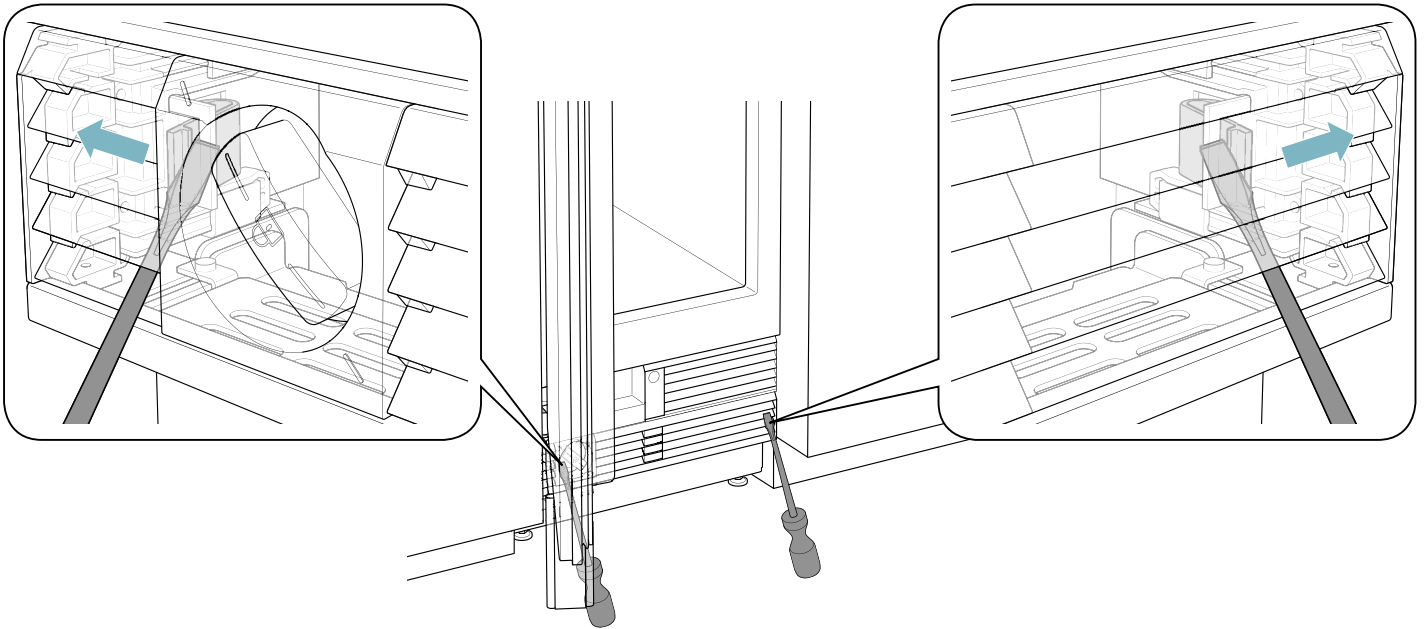
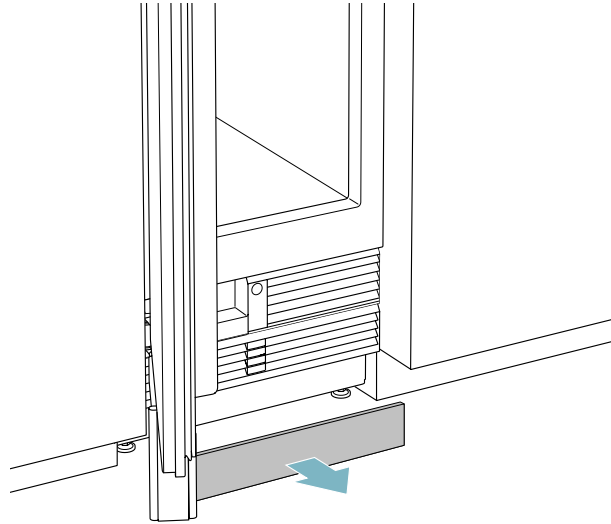


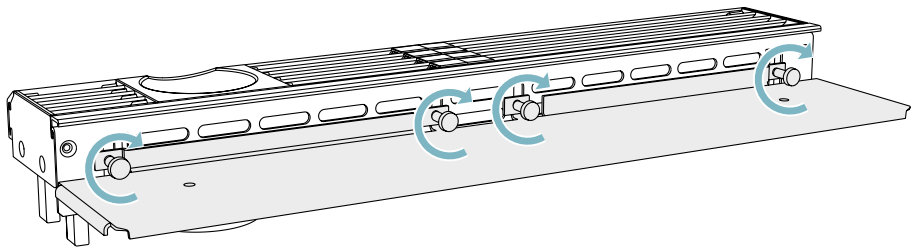
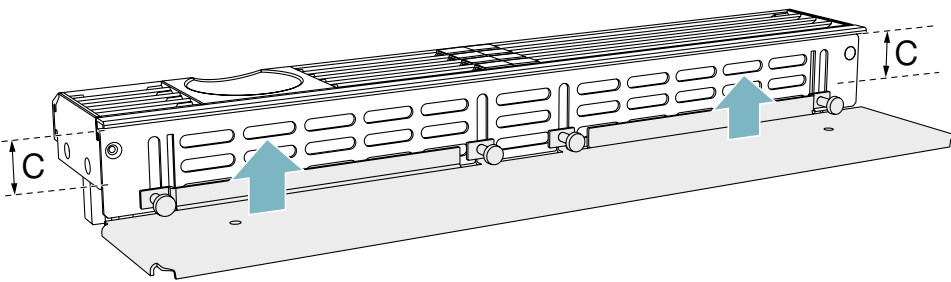
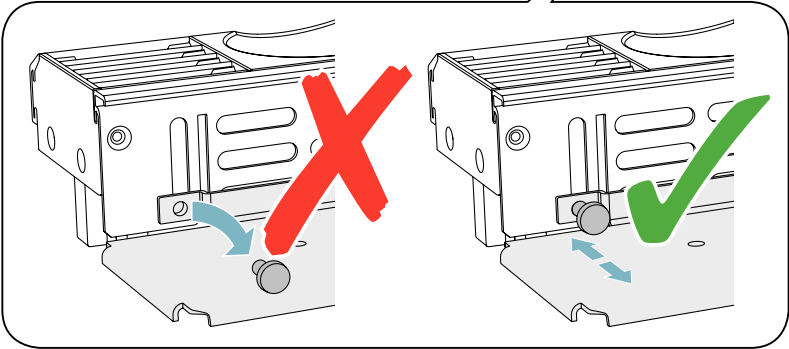
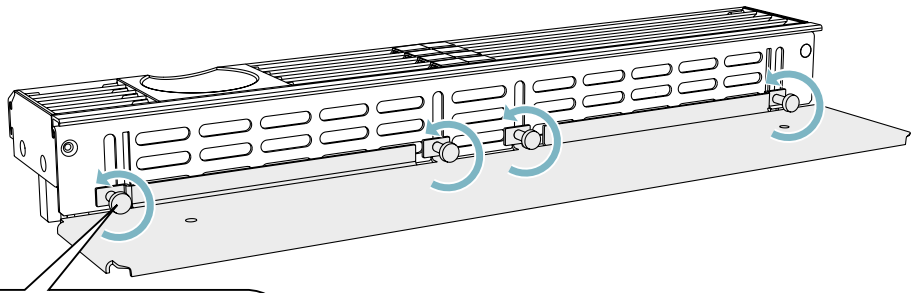
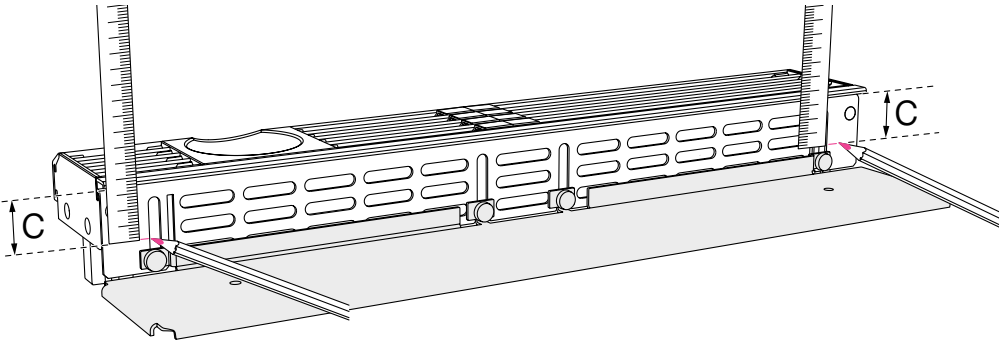
A
B
C
D



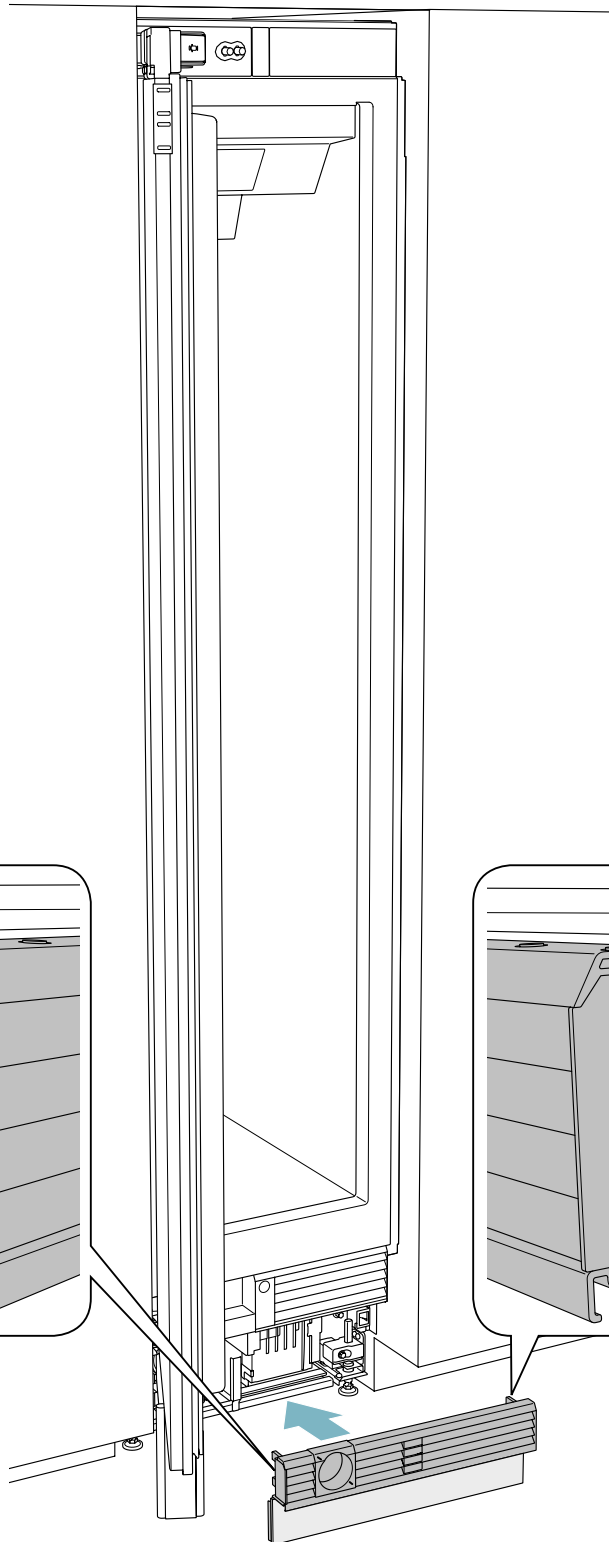
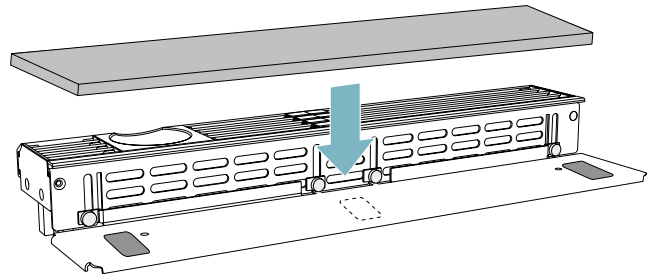
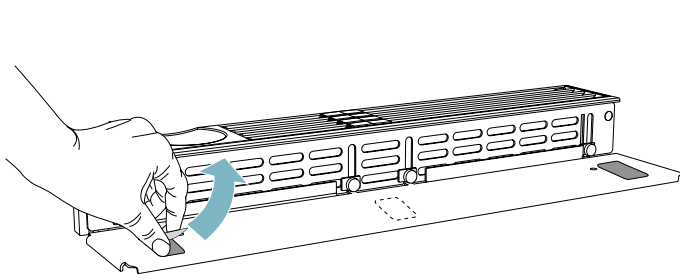


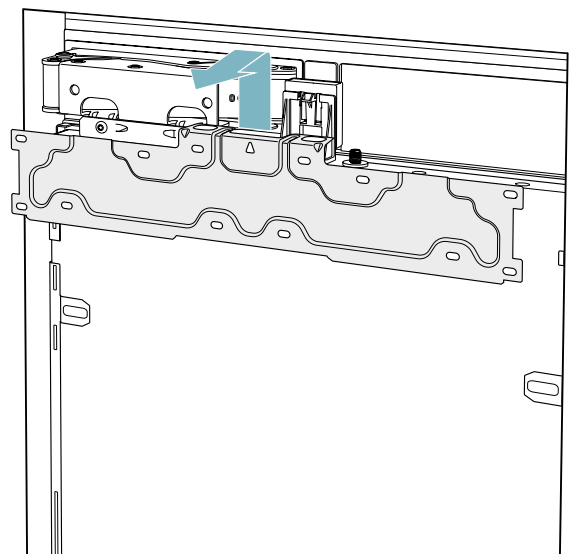
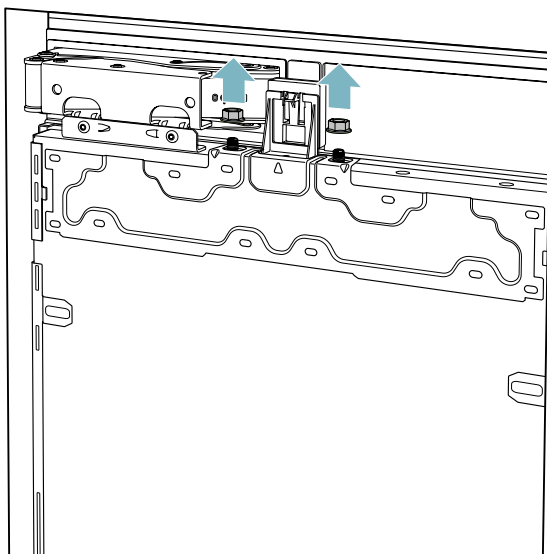
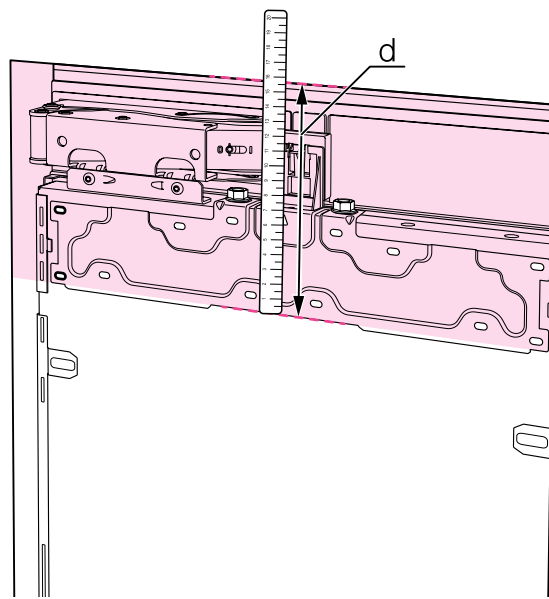
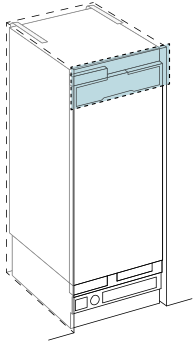
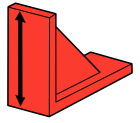
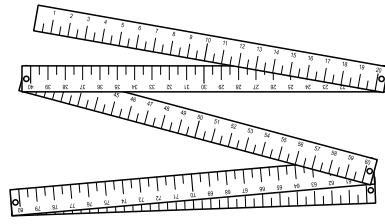
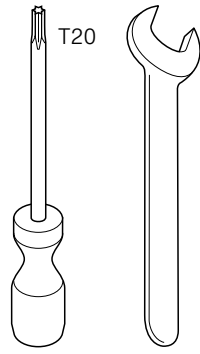
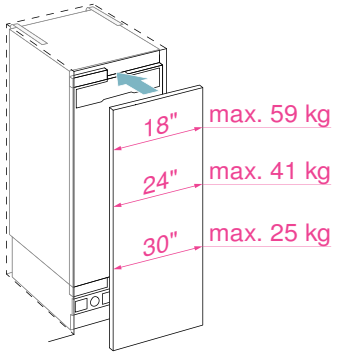
- A
- B
- C
- D



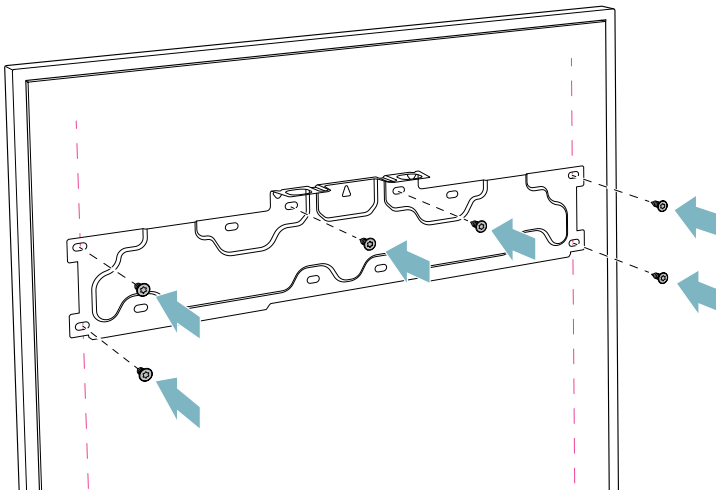
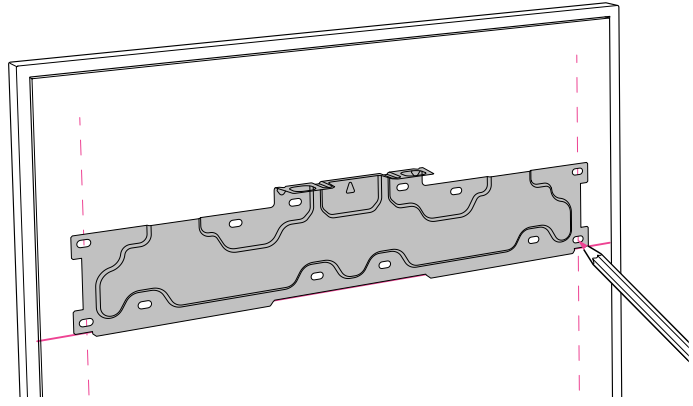
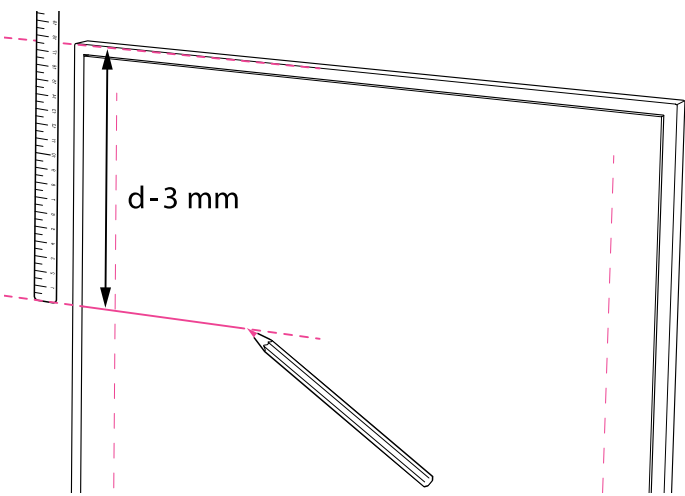
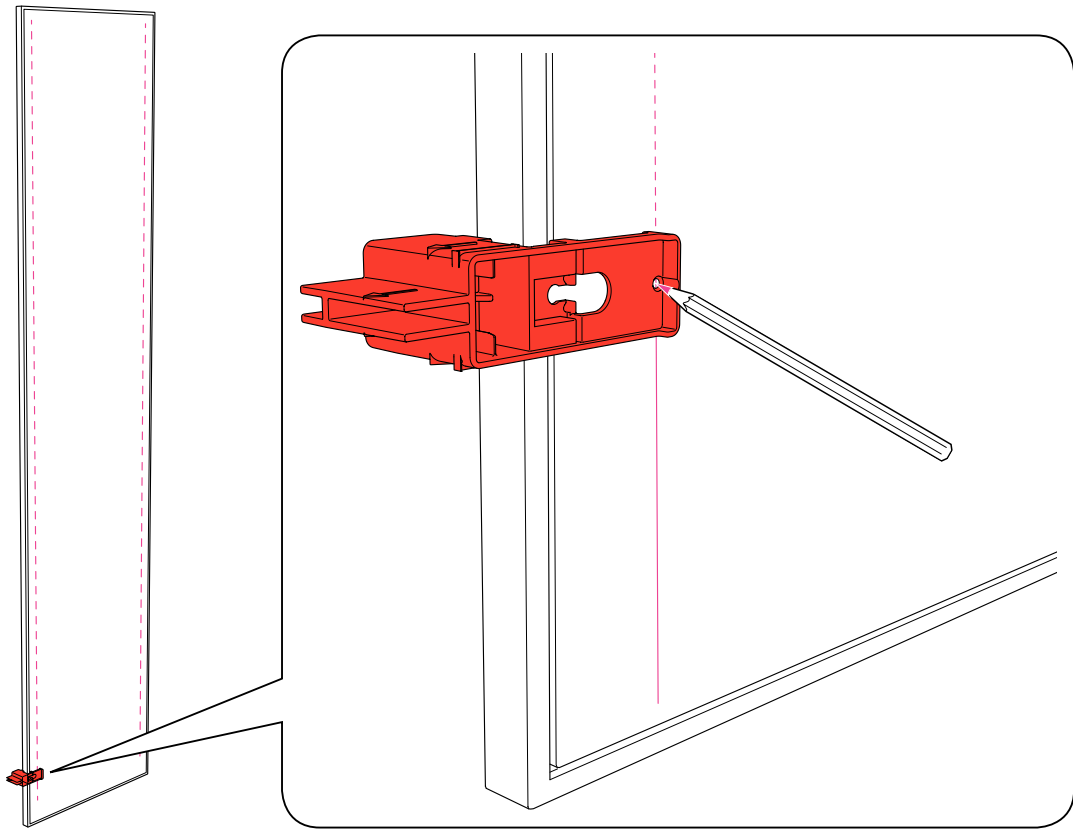



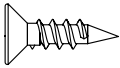
- A
- B
- C
- D

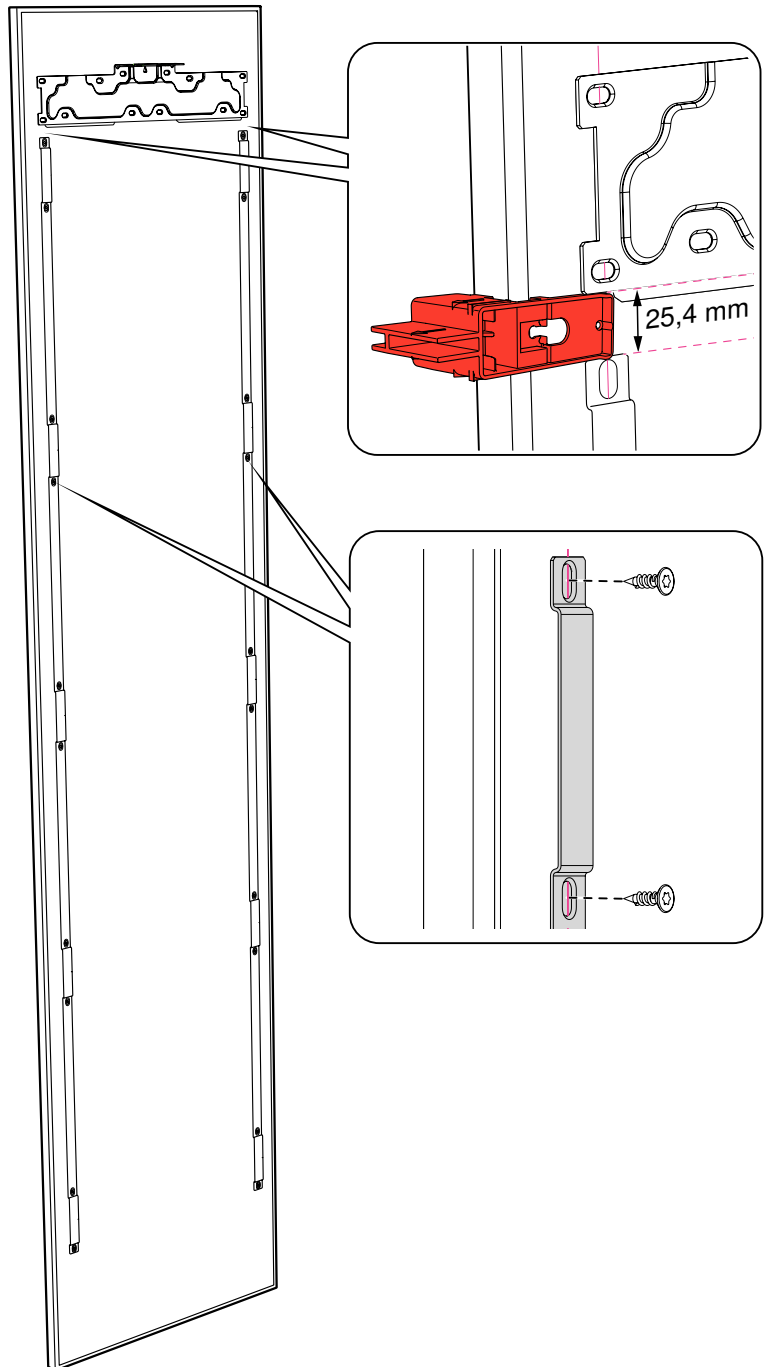
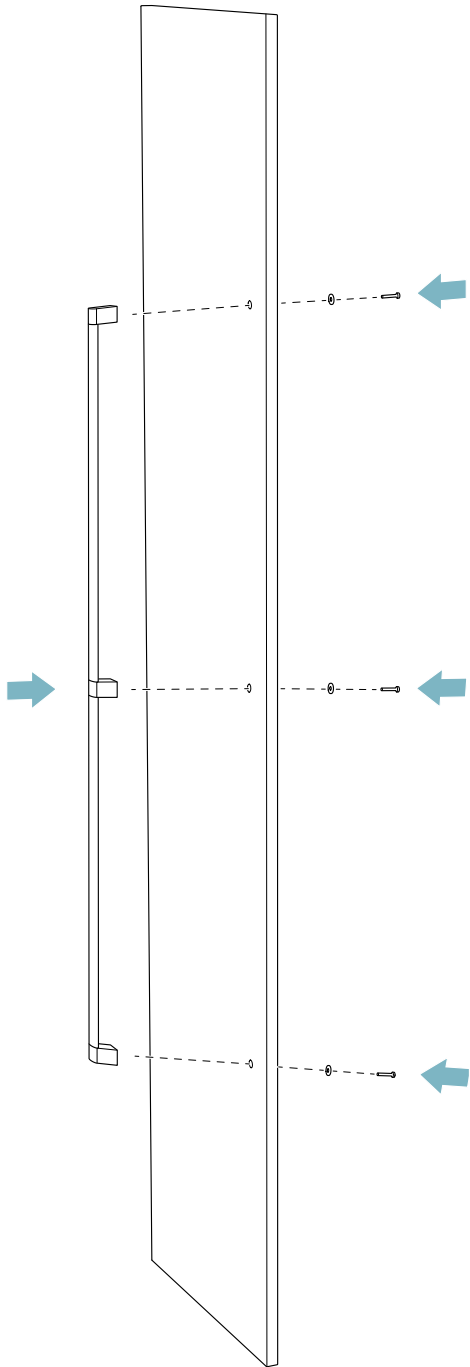
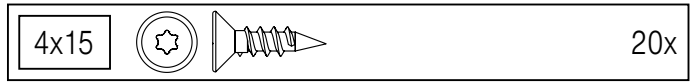
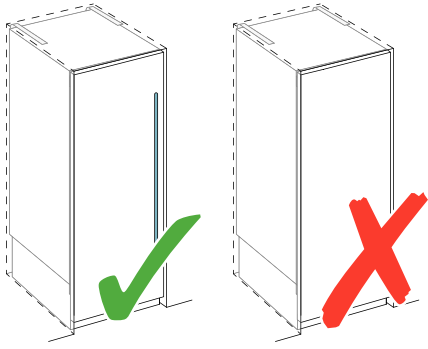




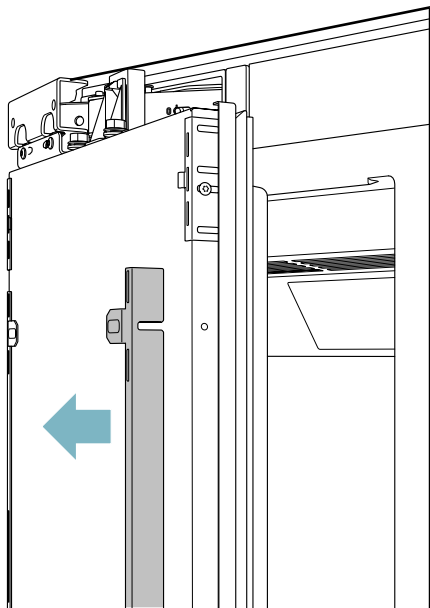
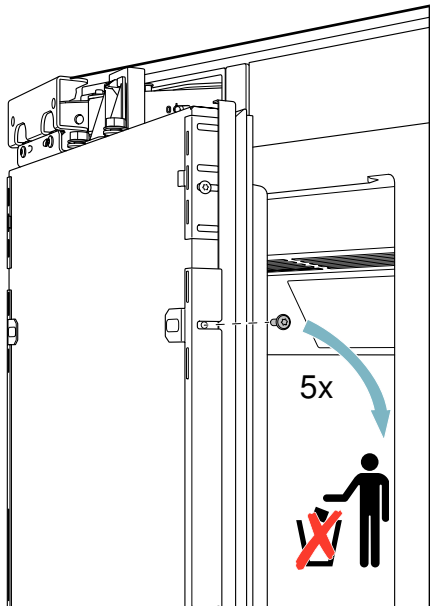
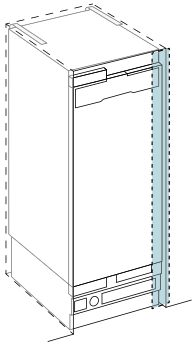
A
B
C
D

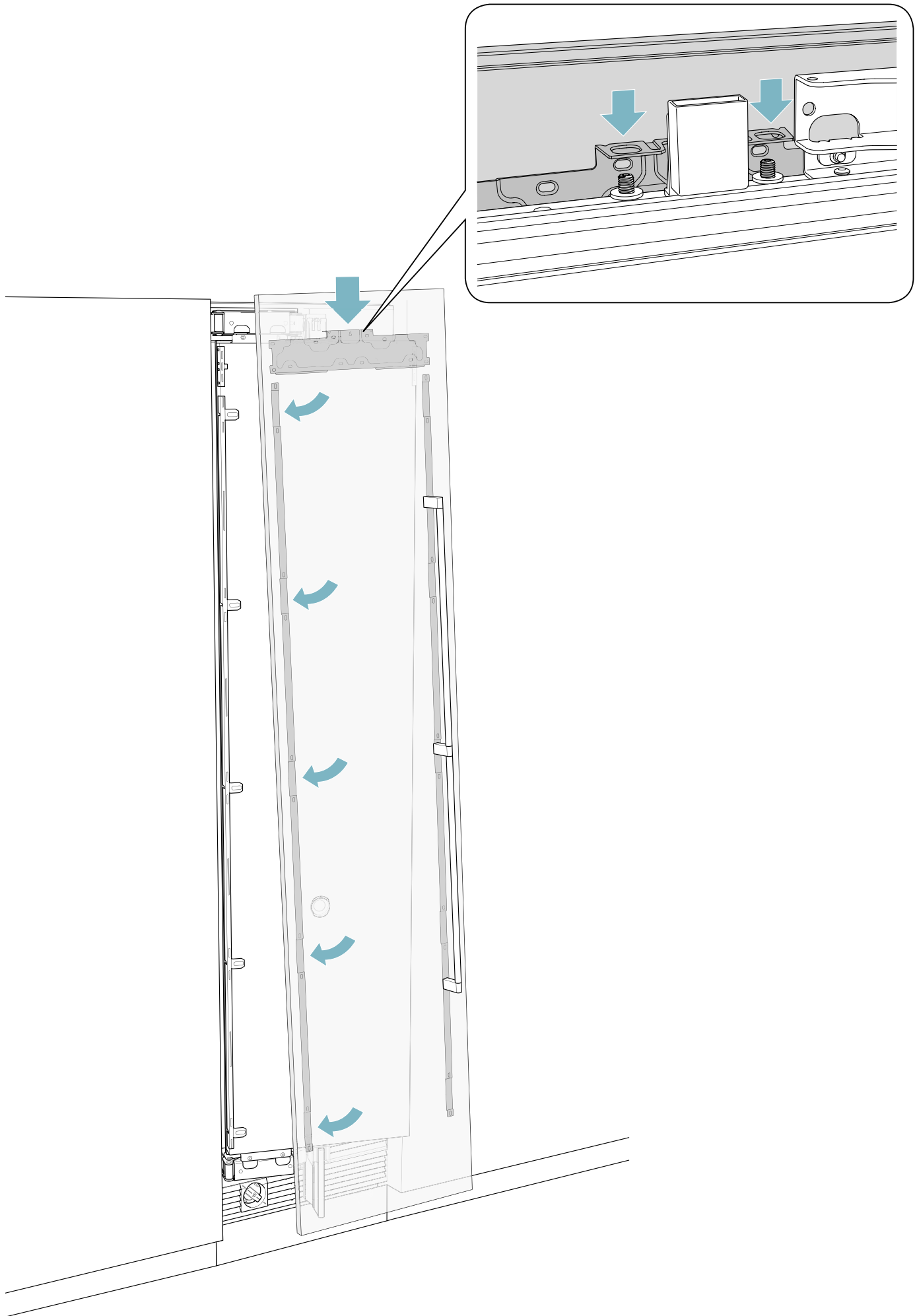


4x15			18" (457 mm) min. 6x
			24" (610 mm) min. 6x
			30" (762 mm) min. 10x



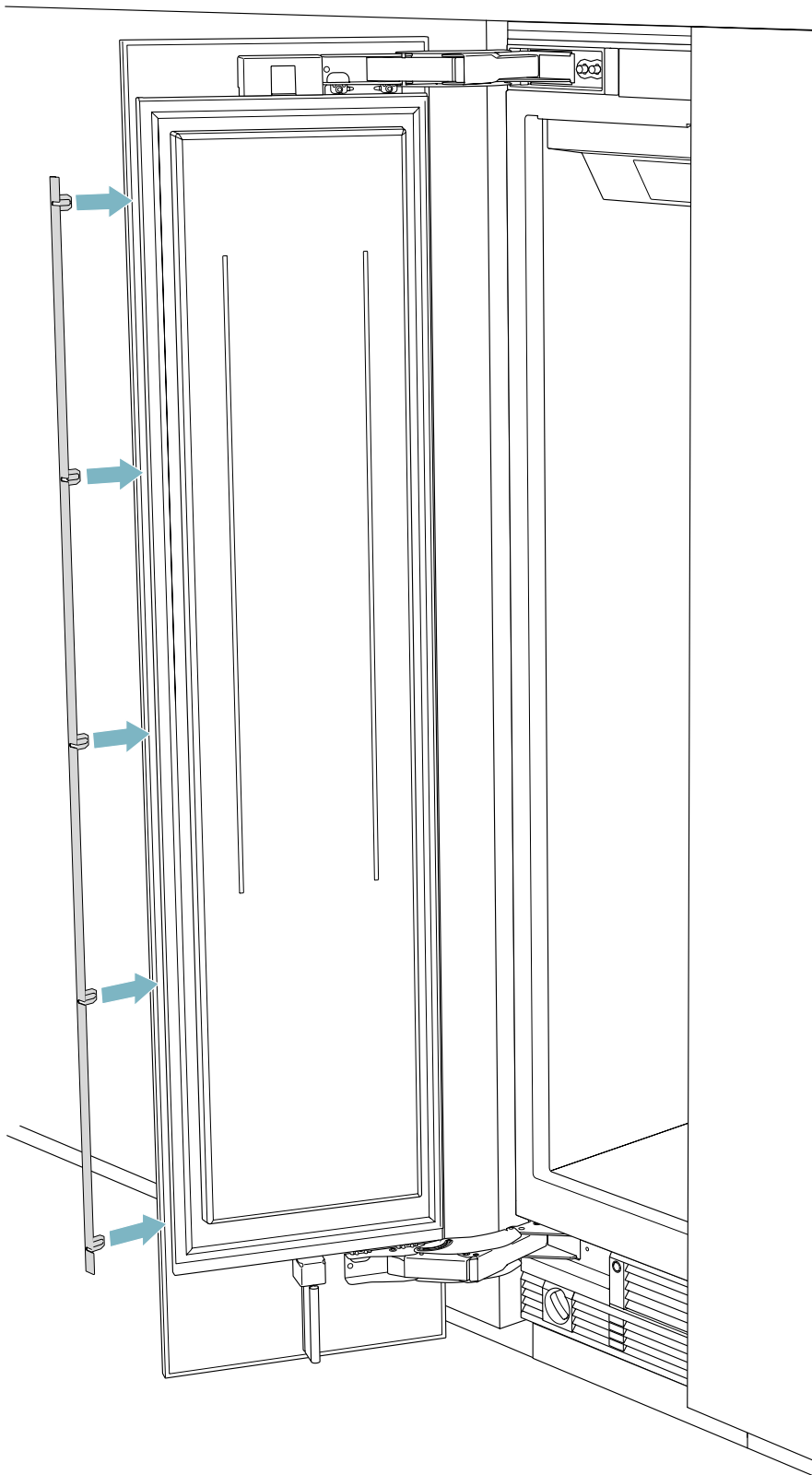
- A
- B
- C
- D

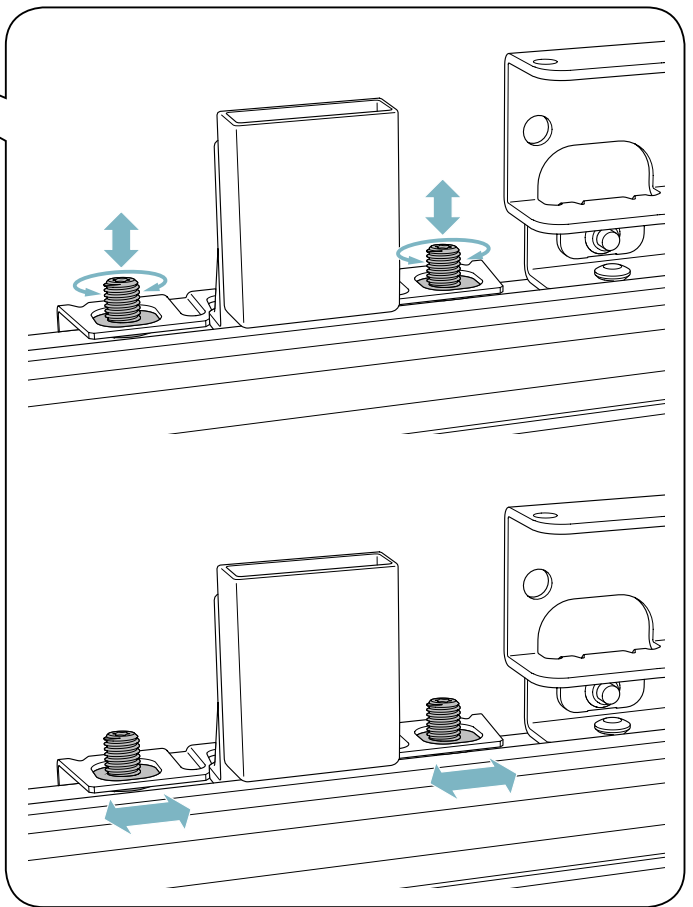
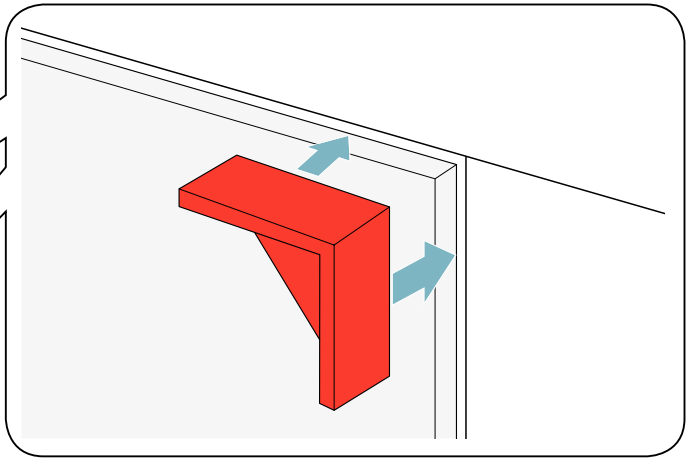
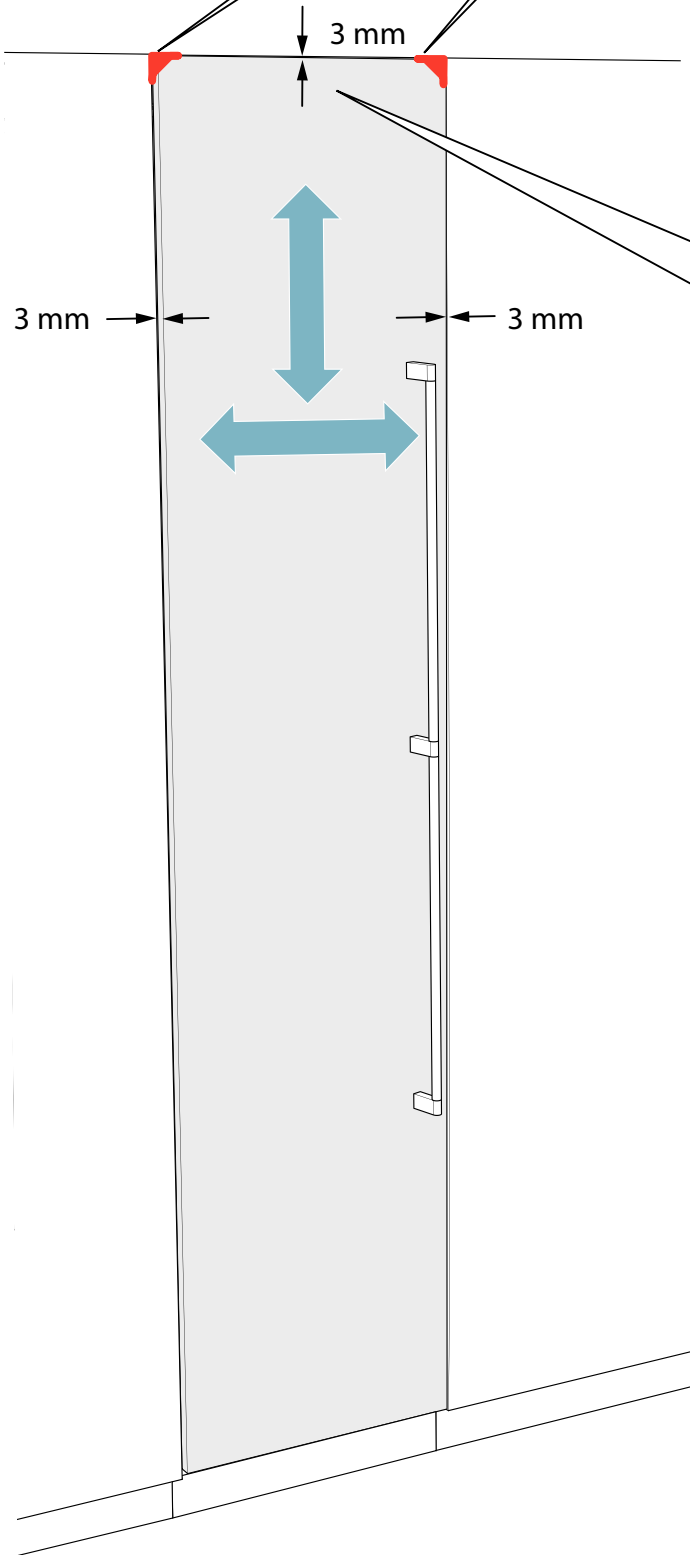




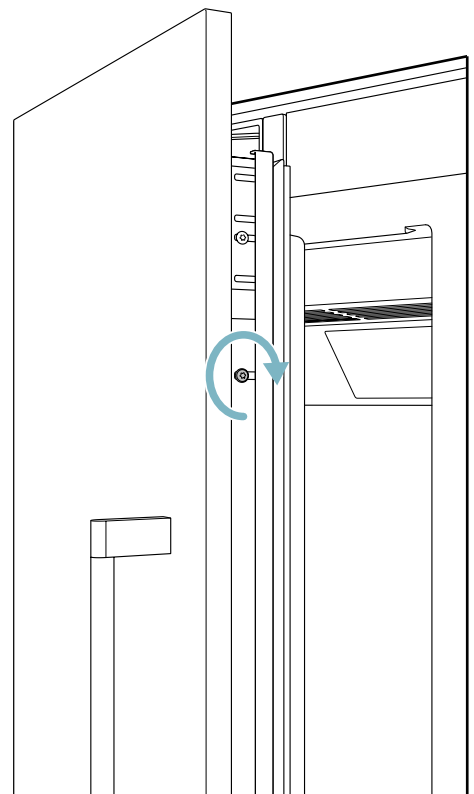
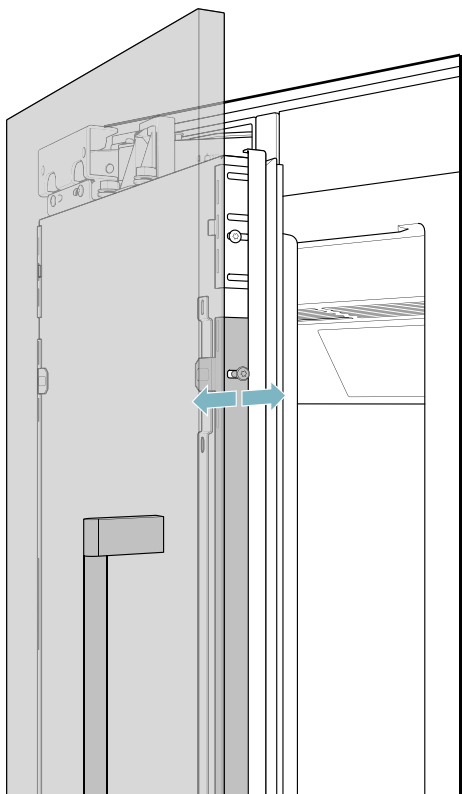
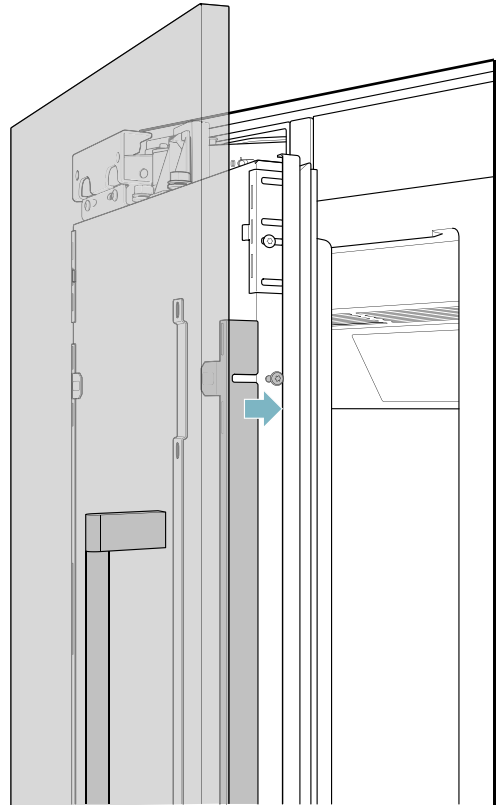
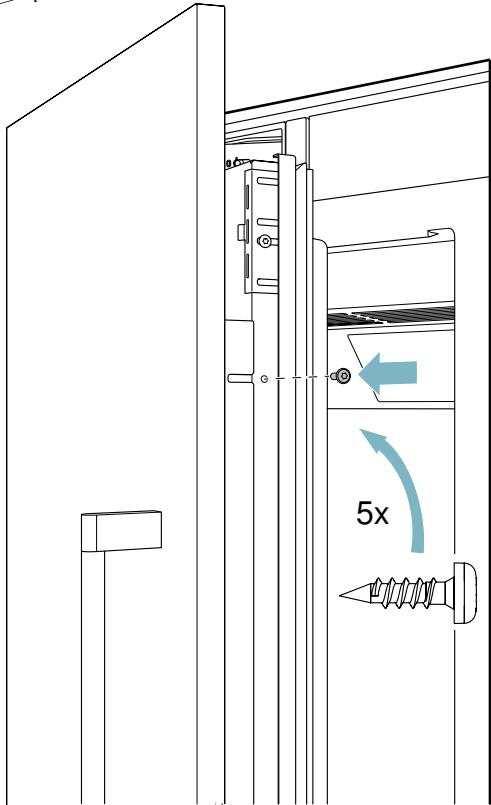
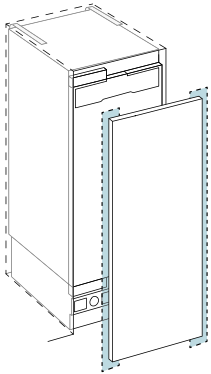
- A
- B
- C
- D

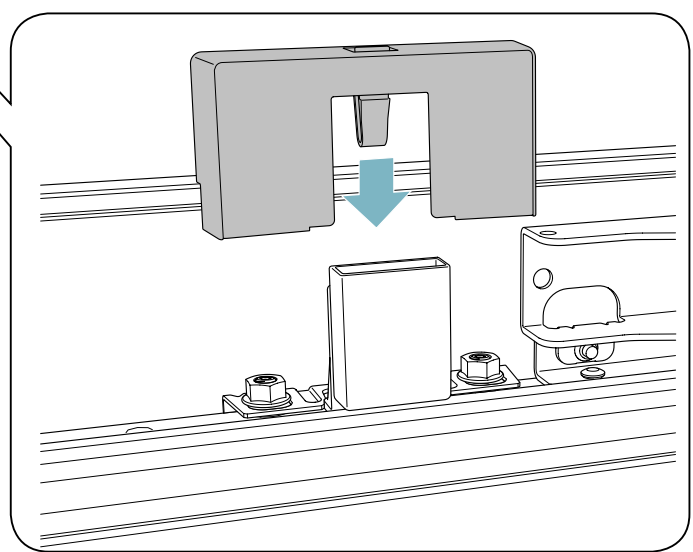
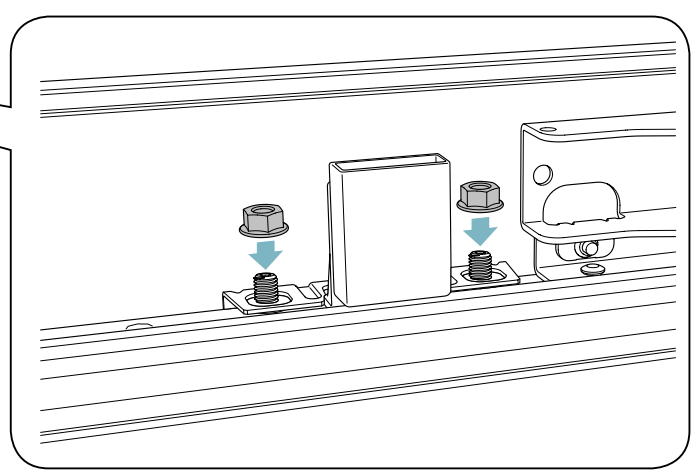
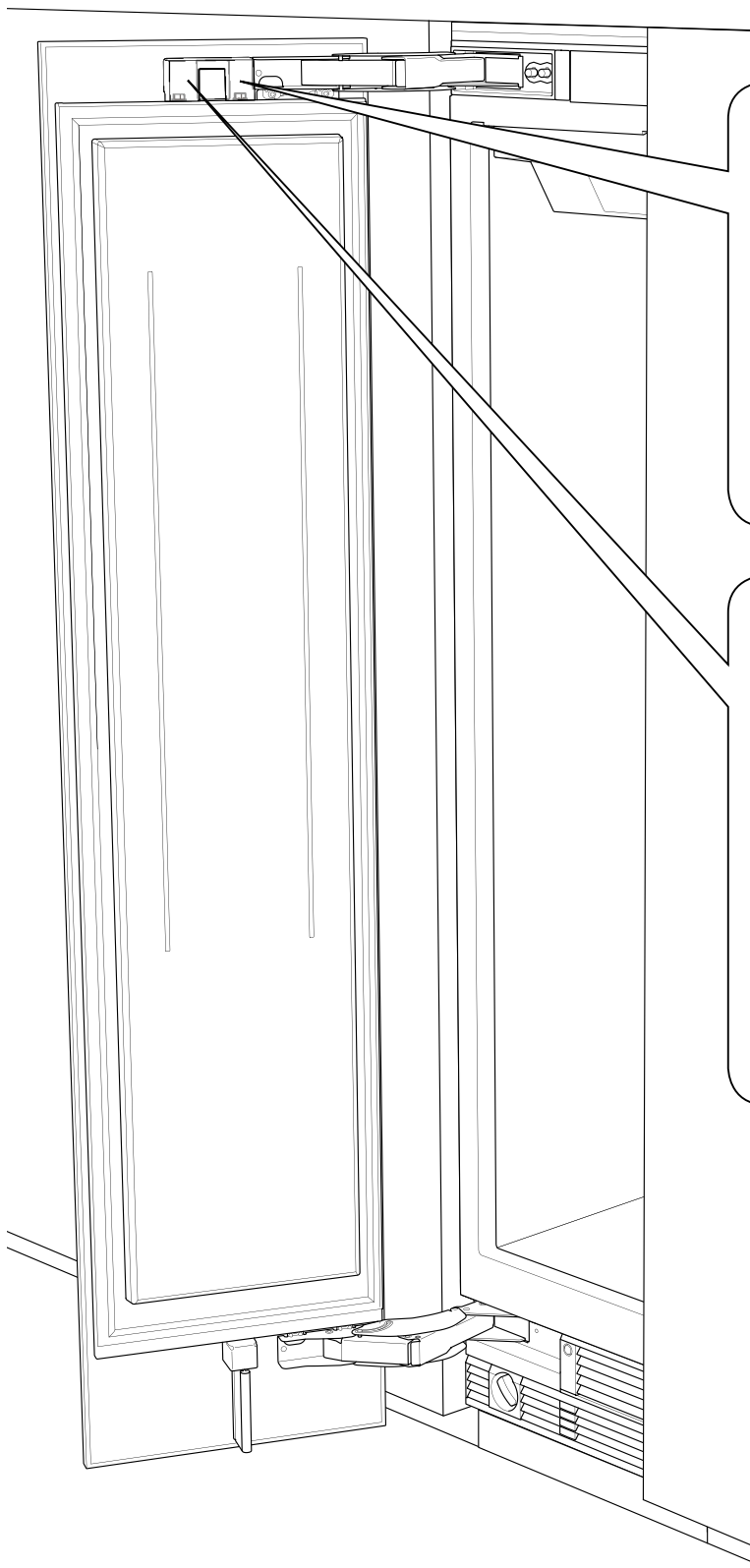
- A
- B
- C
- D



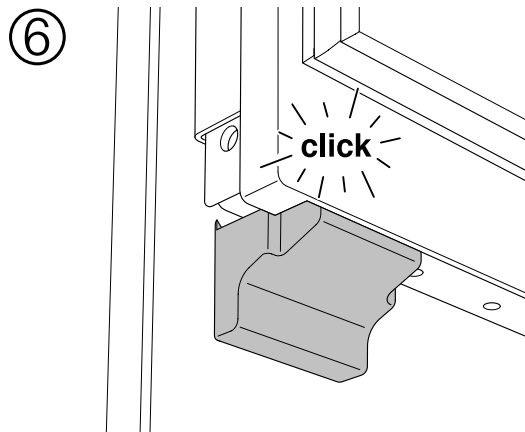
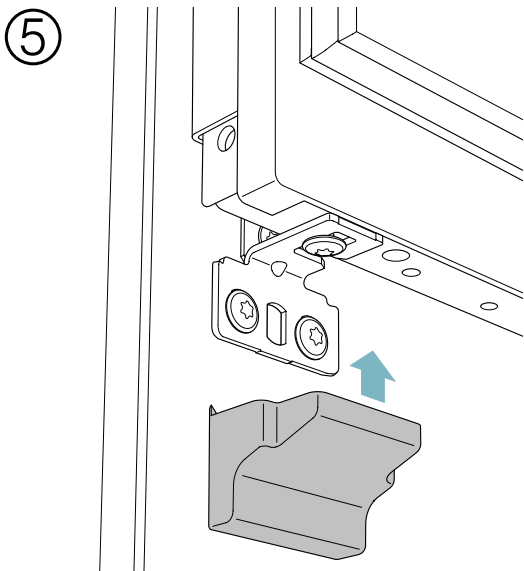
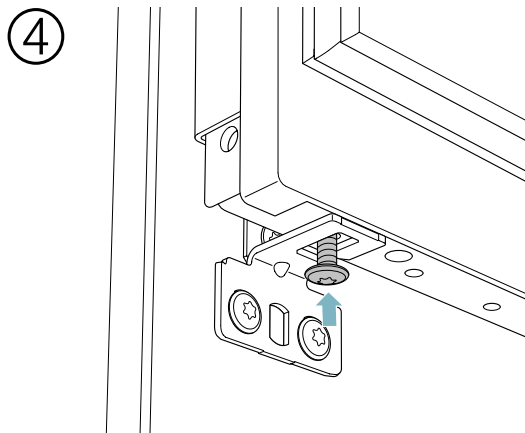
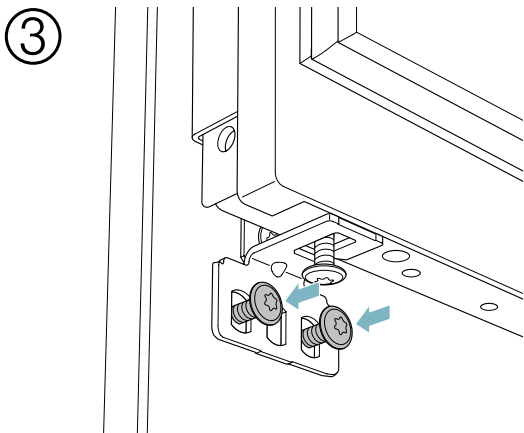
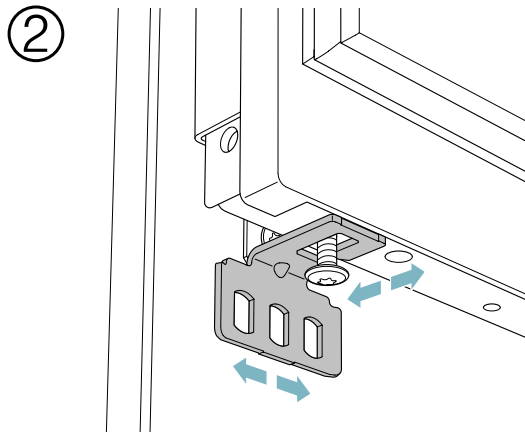
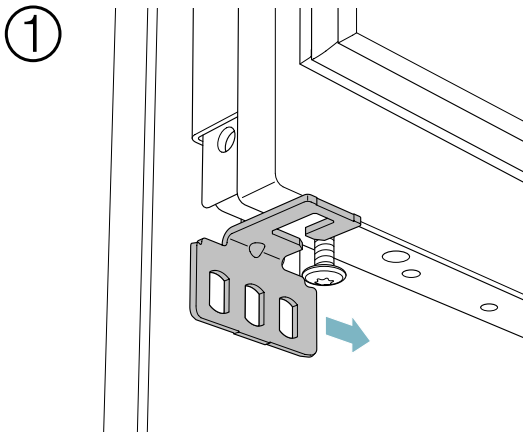
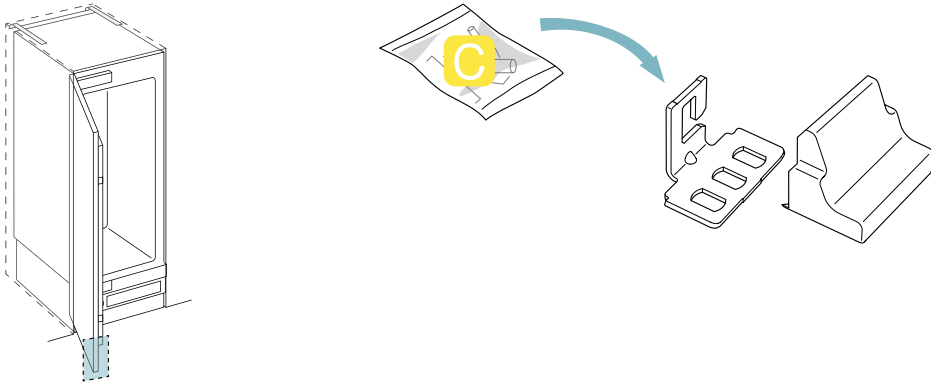


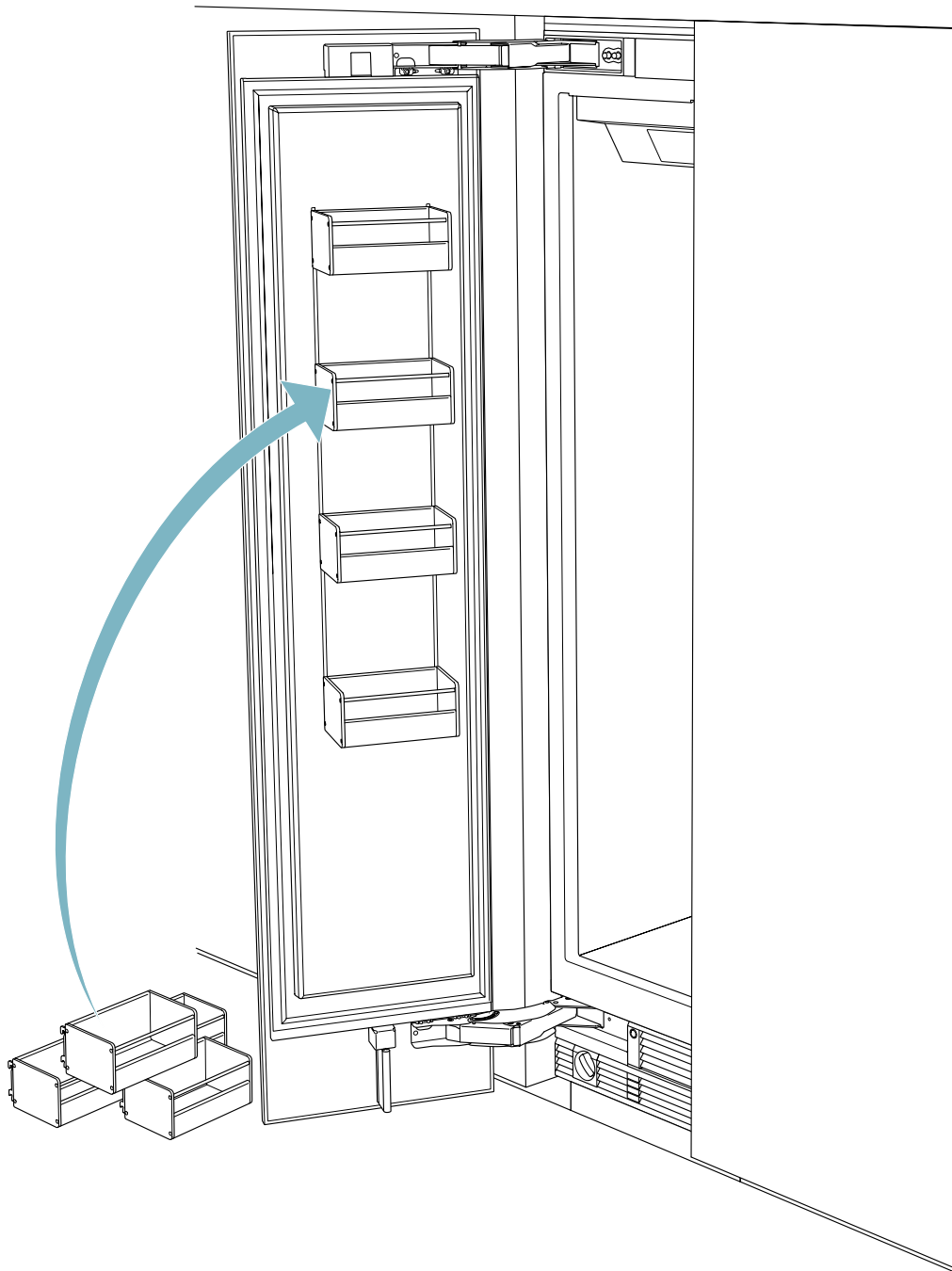
- A
- B
- C
- D



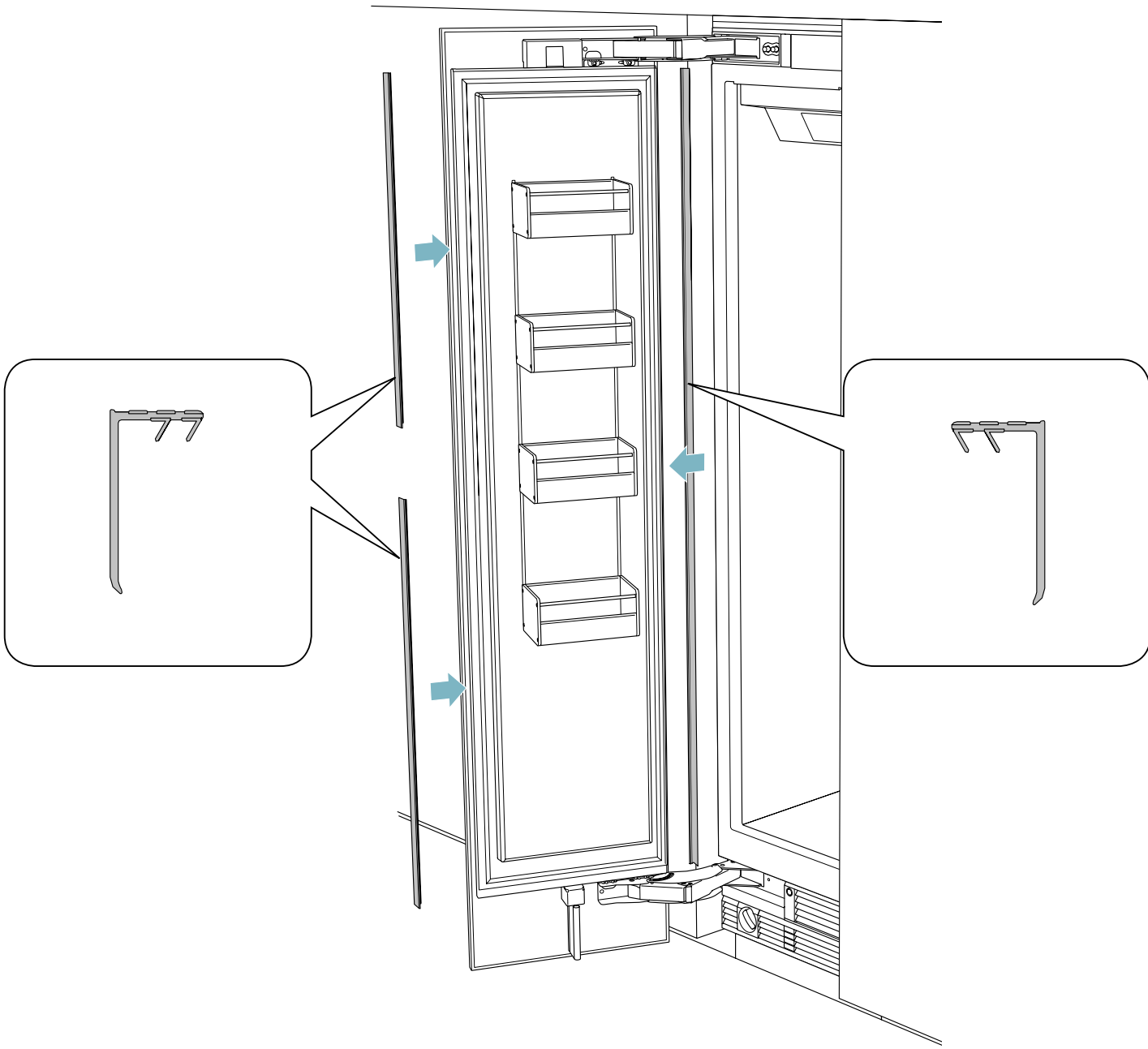
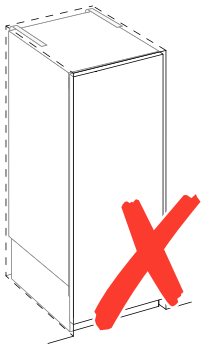


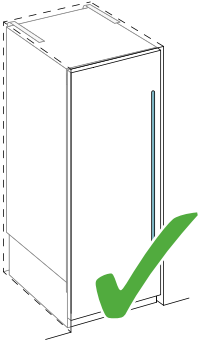
- A
- B
- C
- D



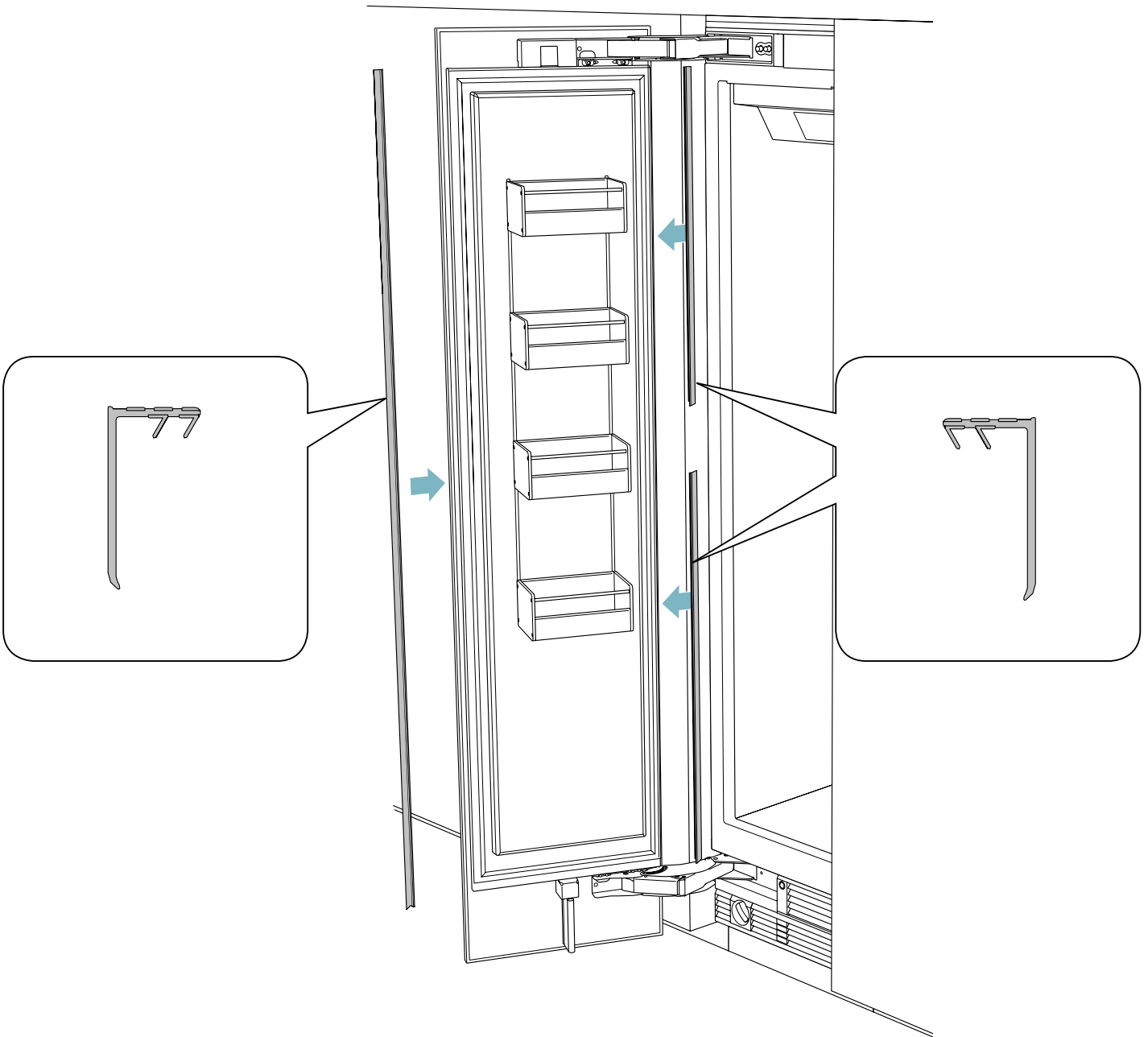


- A
- B
- C
- D

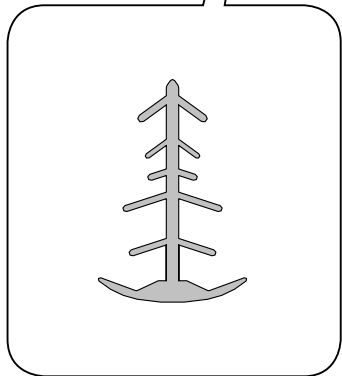


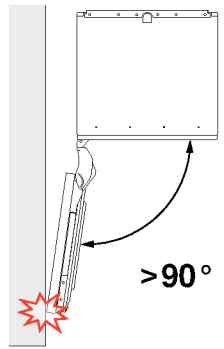
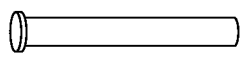


- A
- B
- C
- D

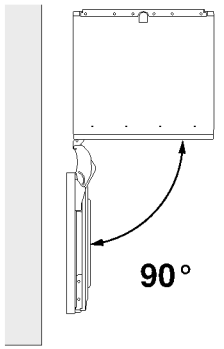


- A
- B
- C
- D

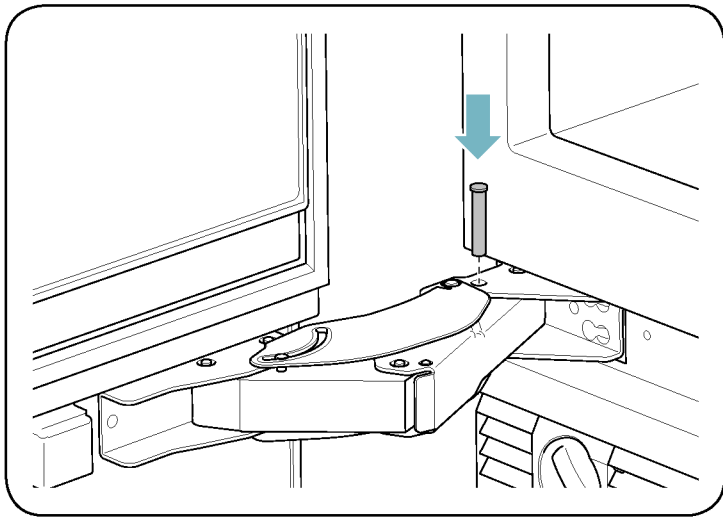
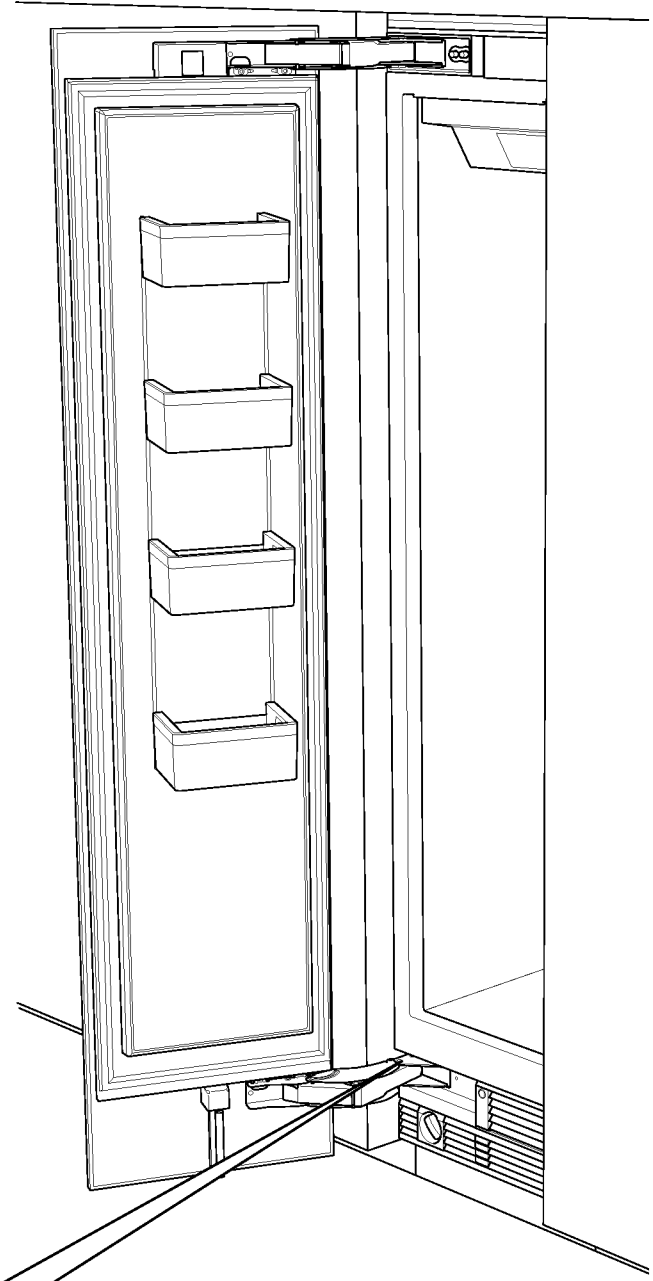


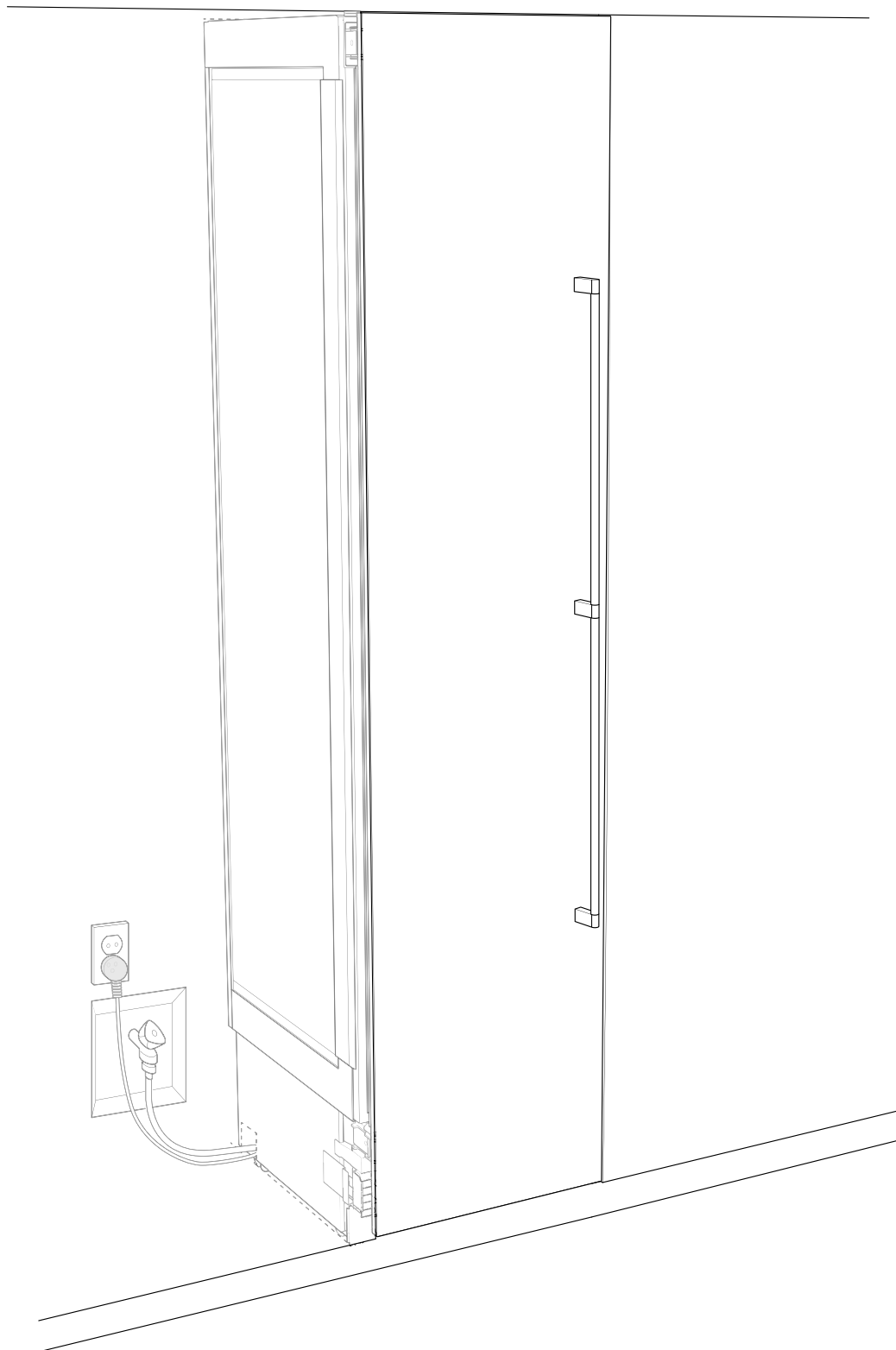


>90°



90°





Gaggenau Hausgeräte GmbH
Carl-Wery-Straße 34
D-81739 München
www.gaggenau.com

8001132071 (9808)
xx

GAGGENAU

